

SUZUKI

PARTS CATALOGUE

SUZUKI

GT500A

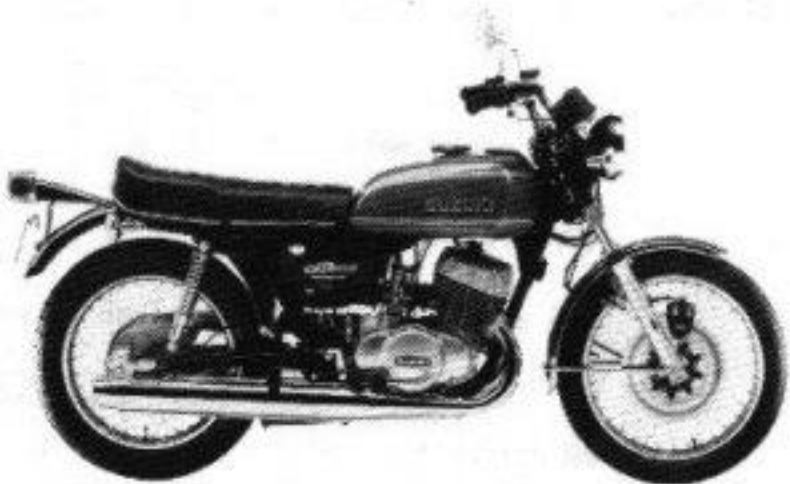
SUZUKI

GT500B

GT500A



GT500B



PREFACE

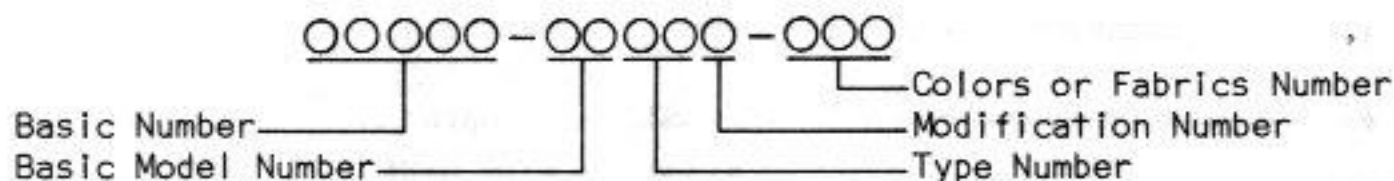
When it becomes necessary to replace parts on SUZUKI MOTORCYCLES, always use SUZUKI GENUINE PARTS which have passed a strict inspection which guarantees quality and performance.

This parts catalogue covers the list of all service parts for SUZUKI GT500A, and GT500B.

A. INSTRUCTIONS FOR QUOTING THE CATALOGUE

1. COMPOSITION OF THE PART NUMBER

1-1. REGULAR PARTS

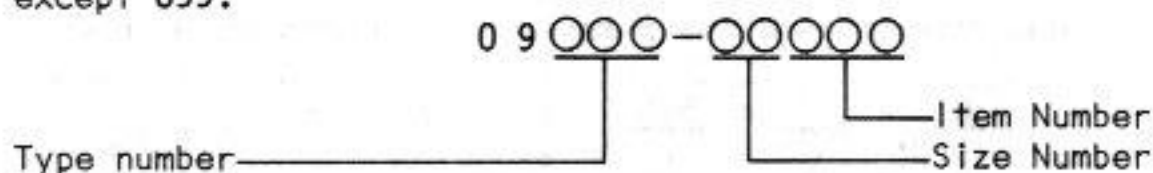


1-2. STANDARD PARTS

Numbers of all standard parts begin with 0 except beginning with 09 or 000.

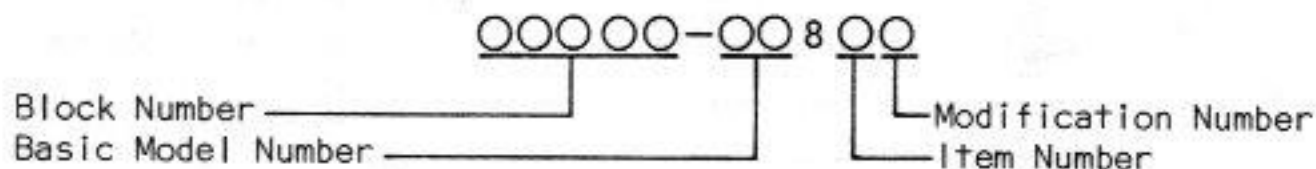
1-3. SPECIAL STANDARD PARTS

Special standard parts are parts which are similar to standard parts but differ in some respect. All special standard parts numbers begin with 09 except 099.



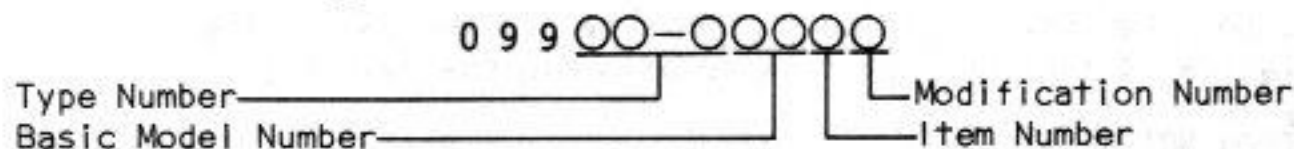
1-4. PARTS ASSEMBLIES

The eight digit of numbers of parts assemblies is always 8.



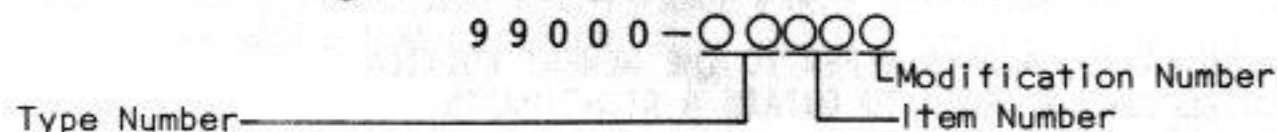
1-5. SPECIAL TOOLS

Part Numbers begin with 099.



1-6. MISCELLANEOUS

Part numbers begin with 99000.



2. DIMENSIONS

Dimensions of the parts in this catalogue are indicated in unit millimeters.

3. ABBREVIATIONS

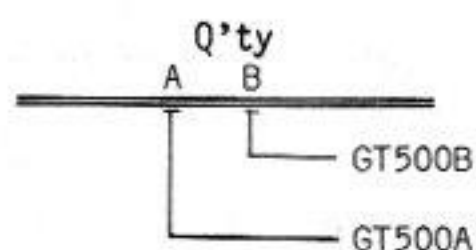
Abbreviations used in this catalogue are as follows:

AR	: As required	L	: Length
ASSY	: Assembly	NT	: Number of teeth
F.No.	: Frame Number	OPT	: Optional
d	: Diameter of material	OS	: Over size
ID	: Inside diameter	STD	: Standard
OD	: Outside diameter	T	: Thickness
LH	: Left hand side	W	: Width
RH	: Right hand side		
~12345	: Up to F.No. T500-12345		
12345~	: From F.No. T500-12345		

Figures in the remarks column show the dimensions of parts as follows:

$$\frac{12}{\text{ID}} \times \frac{34}{\text{OD}} \times \frac{5.6}{\text{T(or W,L)}}$$

The number of letter shown below Q'ty indicate the MODELS NAME as shown right side.



4. INNER PARTS OF ASSEMBLY

Parts number that have a period (.) mark before the parts name will be indicated the inner part in relation to the assembly.

5. MODIFICATION NOTICE

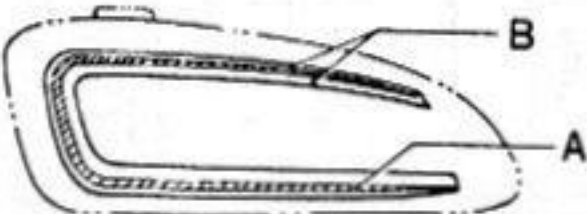
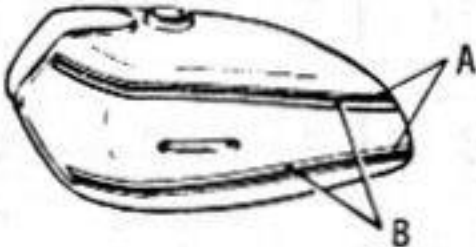
A parts bulletin will be sent to you on all occasions when changes in parts occur, including interchangeable modifications between new parts and old ones.

WHEN ORDERING PARTS, ALWAYS REFER TO THE NEWEST EDITION OF PARTS CATALOGUE IN ORDER TO OBTAIN A RIGHT PARTS WITHOUT TROUBLE.

NOTE THAT THE DRAWINGS ON THE ILLUSTRATION PAGE ARE FOR READY REFERENCE OF SPARE PARTS NUMBER, NOT TO BE USED AS AN ASSEMBLY MANUAL. WHEN ASSEMBLING, USE "SUZUKI SERVICE MANUAL".

6. COLOR CHART

COLOR No.	COLOR NAME	MANSEL COLOR No.	MODEL	
			A	B
019	BLACK	N1	<input type="radio"/>	<input type="radio"/>
291	BLACK			<input type="radio"/>
403	BLACK (SEAT)		<input type="radio"/>	
719	ORANGE (TAPE)	2.5YR6/14		<input type="radio"/>
764	GOLD (TAPE)		<input type="radio"/>	<input type="radio"/>
797	MAUI BLUE METALLIC			<input type="radio"/>
865	BLACK (SEAT)			<input type="radio"/>
00T	CANDY CALYPSO RED			<input type="radio"/>
00U	CANDY ROSE		<input type="radio"/>	
01J	ANDES BLUE METALLIC		<input type="radio"/>	

COLOR No.	COMBINATION		APPLICABLE TO	MODEL	
	A	B		A	B
998	764	019		<input type="radio"/>	
61R	764	719			<input type="radio"/>
61P	764	03R			<input type="radio"/>

*The figure "999" given on end of the parts number means electrical equipment which does not include the bulb.

PLEASE DO NOT USE THE OLD ISSUE PARTS CATALOGUE
AFTER RECEIPT NEW EDITION.

MILLIMETER → INCH CONVERSION CHART

	0	1	2	3	4	5	6	7	8	9
00	.000	.039	.079	.118	.157	.197	.236	.276	.315	.354
10	.394	.433	.472	.512	.551	.591	.630	.669	.709	.748
20	.787	.827	.866	.906	.945	.984	1.024	1.063	1.102	1.142
30	1.181	1.220	1.260	1.299	1.339	1.378	1.417	1.457	1.496	1.535
40	1.575	1.614	1.654	1.693	1.732	1.772	1.811	1.850	1.890	1.929
50	1.969	2.008	2.047	2.087	2.126	2.165	2.205	2.244	2.283	2.323
60	2.362	2.402	2.441	2.480	2.520	2.559	2.598	2.638	2.677	2.717
70	2.756	2.795	2.835	2.874	2.913	2.953	2.992	3.031	3.071	3.110
80	3.150	3.189	3.228	3.268	3.307	3.346	3.386	3.425	3.465	3.504
90	3.543	3.583	3.622	3.661	3.701	3.740	3.780	3.819	3.858	3.898

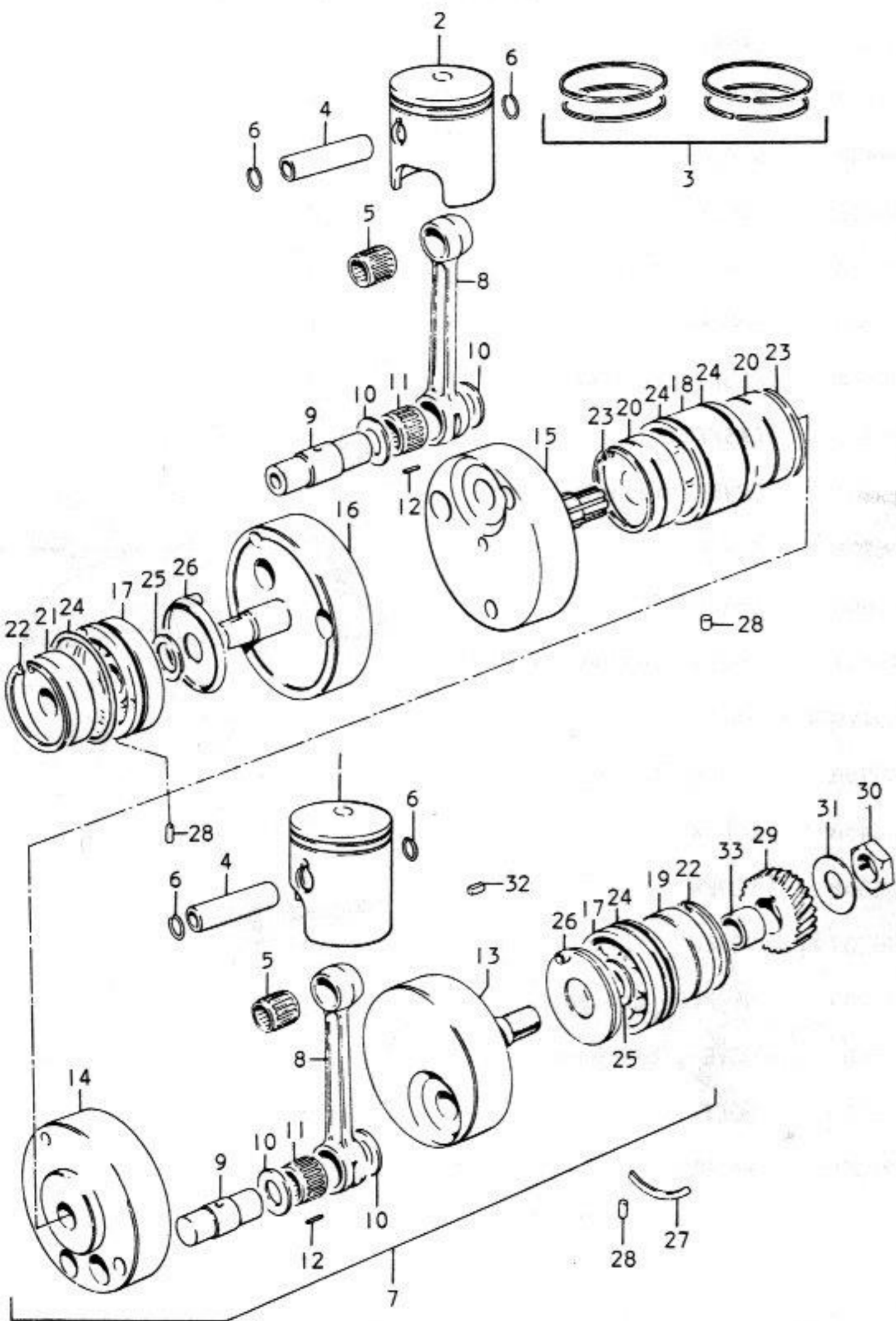
How to Read

	0	1	2	3	4
00	---	---	---	---	---
10	---	---	---	---	---
20	---	---	---	0.906	---
30	---	---	---	---	---

23 millimeters equal 0.906 inch

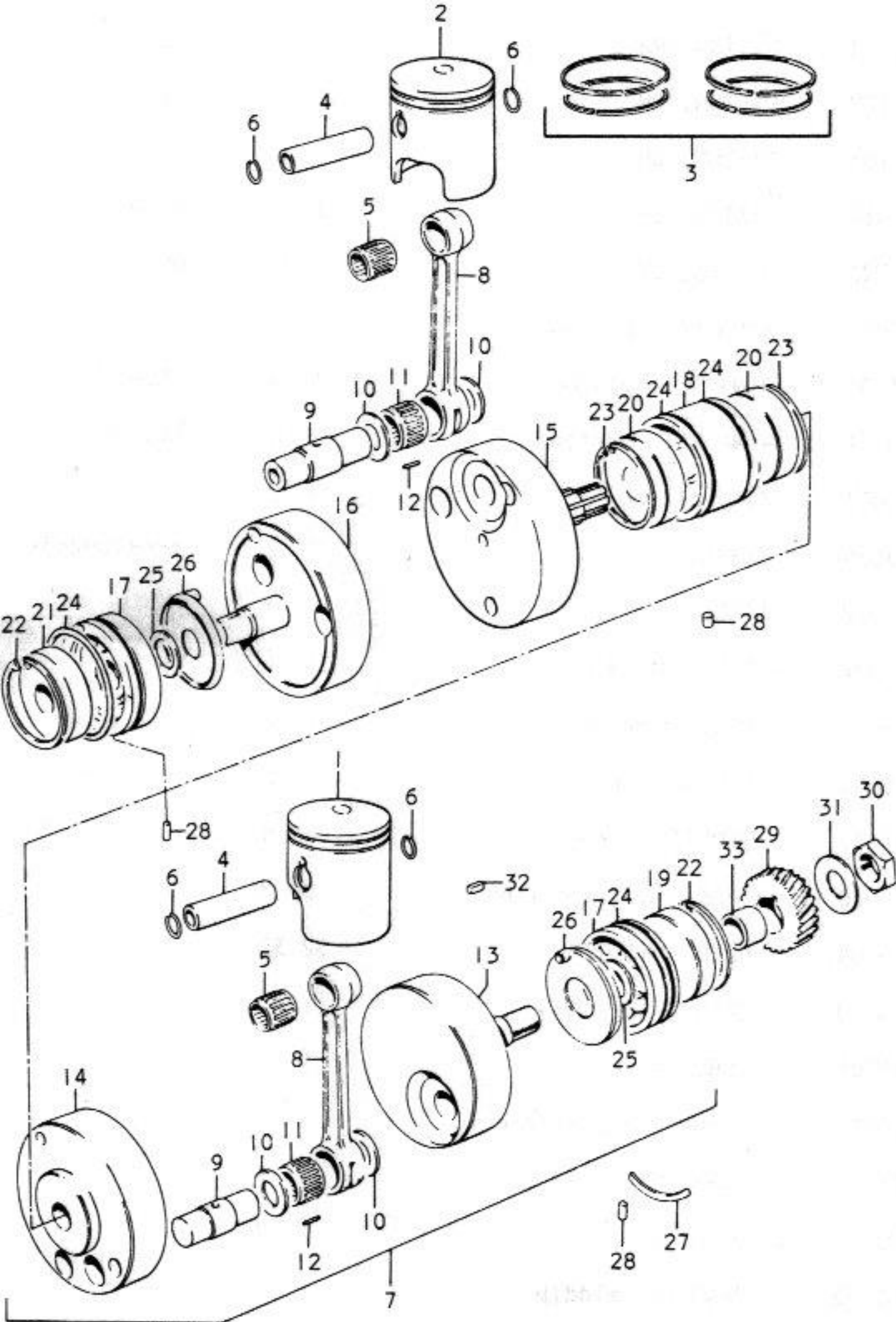


FIG.4 CRANKSHAFT



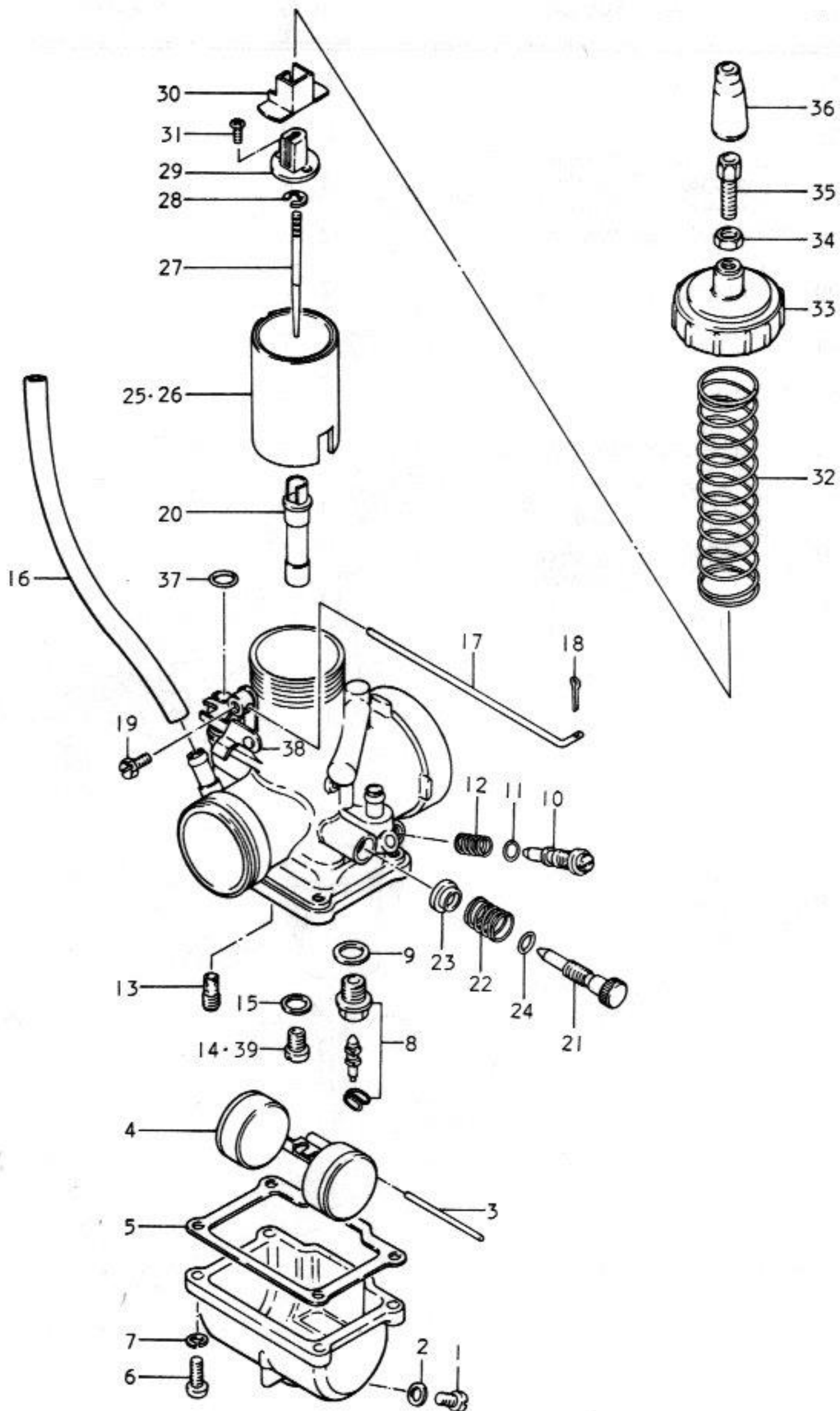
Ref.No.	Part No.	Description	Q'ty		Remarks
			A	B	
1-1	12110-15103	PISTON, RH	1	1	
1-2	12110-31712	PISTON, RH	1	1	OS:0.5
1-3	12110-31722	PISTON, RH	1	1	OS:1.0
2-1	12120-15103	PISTON, LH	1	1	
2-2	12120-31712	PISTON, LH	1	1	OS:0.5
2-3	12120-31722	PISTON, LH	1	1	OS:1.0
3-1	12140-15012	RING SET, piston	1	1	
3-2	12140-15701	RING SET, piston	1	1	OS:0.5
3-3	12140-15711	RING SET, piston	1	1	OS:1.0
4	12151-15001	PIN, piston	2	2	
5	09263-18009	BEARING	2	2	from 09263-18005
6	09381-18002	CIRCLIP	4	4	
7	12200-15001	CRANKSHAFT ASSY	1	1	
8	12161-15000	•ROD, connecting	2	2	
9	12211-15000	•PIN, crank	2	2	
10	09160-24007	•THRUST WASHER	4	4	
11	12215-15010	•CAGE, needle roller	2	2	
12	09261-03009	•NEEDLE ROLLER	32	32	
13	12221-15000	•CRANKSHAFT, RH	1	1	
14	12222-15000	•WEB, crank	1	1	
15	12231-15001	•CRANKSHAFT, middle	1	1	
16	12261-15001	•CRANKSHAFT, LH	1	1	
17	09269-25003	•BEARING	2	2	
18	09269-30002	•BEARING, middle	1	1	
19	09283-35002	•OIL SEAL, RH	1	1	
20	09283-30003	•OIL SEAL, middle	2	2	
21	09283-25014	•OIL SEAL, LH	1	1	

FIG.4 CRANKSHAFT



Ref.No.	Part No.	Description	Q'ty		Rem
			A	B	
22	09381-62001	CIRCLIP	2	2	
23	09381-65001	CIRCLIP	2	2	
24	09280-76001	O RING	4	4	
25	08212-25401	THRUST WASHER	2	2	
26	12511-15000	PLATE, oil guide	2	2	
27	09390-80001	C RING	1	1	
28	06211-07122	PIN	3	3	
29	21111-15001	GEAR, primary drive	1	1	NT:26
30	09140-20007	NUT	1	1	
31	09166-20003	WASHER	1	1	
32	09421-07001	KEY	1	1	
33	09180-25012	SPACER	1	1	

FIG. 5 CARBURETOR



Ref.No.	Part No.	Description	Q'ty		Remarks
			A	B	
	13201-15313	CARBURETOR ASSY, RH	1	1	
	13202-15313	CARBURETOR ASSY, LH	1	1	
1	13247-05010	•PLUG, drain	2	2	
2	13249-05010	•GASKET	2	2	
3	13254-01010	•PIN, float	2	2	
4	13252-18010	•FLOAT	2	2	
5	13251-33110	•GASKET	2	2	
6	02111-04168	•SCREW	8	8	
7	08321-21048	•LOCK WASHER	8	8	
8	13370-32210	•VALVE, needle	2	2	
9	13392-16600	•GASKET	2	2	
10	13269-15011	•SCREW, pilot air	2	2	
11	13295-33010	•O RING	2	2	
12	13268-01010	•SPRING, pilot air screw	2	2	
13	09492-30003	•JET, pilot	2	2	#30
14	09491-97001	•JET, main	2	2	#97.5
15	13382-03110	•WASHER, main jet	2	2	
16	13683-31610	•TUBE, boost	1	1	
17	13425-15010	•ROD, starter	1	1	
18	04111-12108	•COTTER PIN	1	1	
19	13429-15010	•BOLT, starter rod	1	1	
20	09494-00051	•JET, needle	2	2	P-4
21	13267-31011	•SCREW, throttle stop	2	2	
22	13268-31011	•SPRING	2	2	
23	13291-34010	•COVER	2	2	
24	13294-30010	•O RING	2	2	

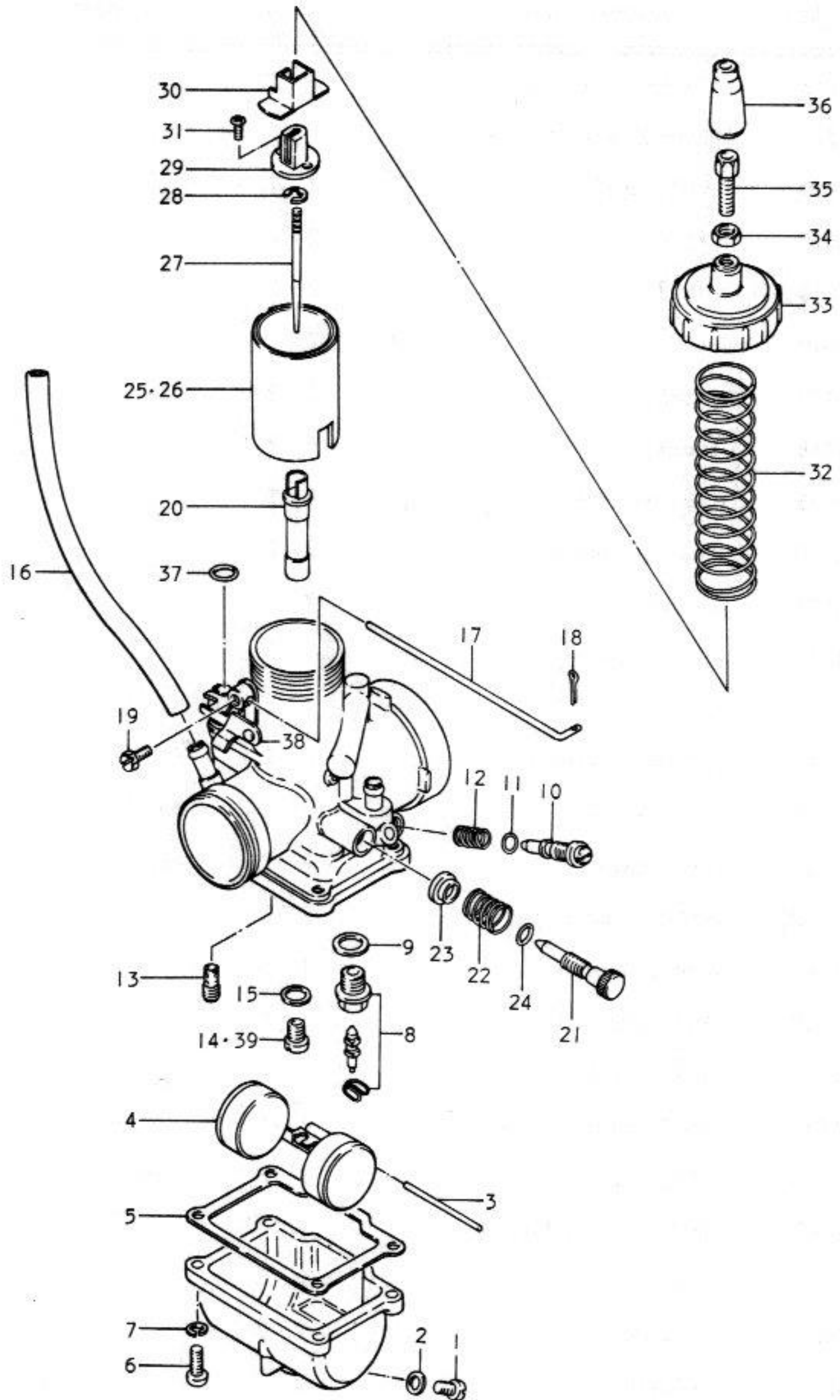
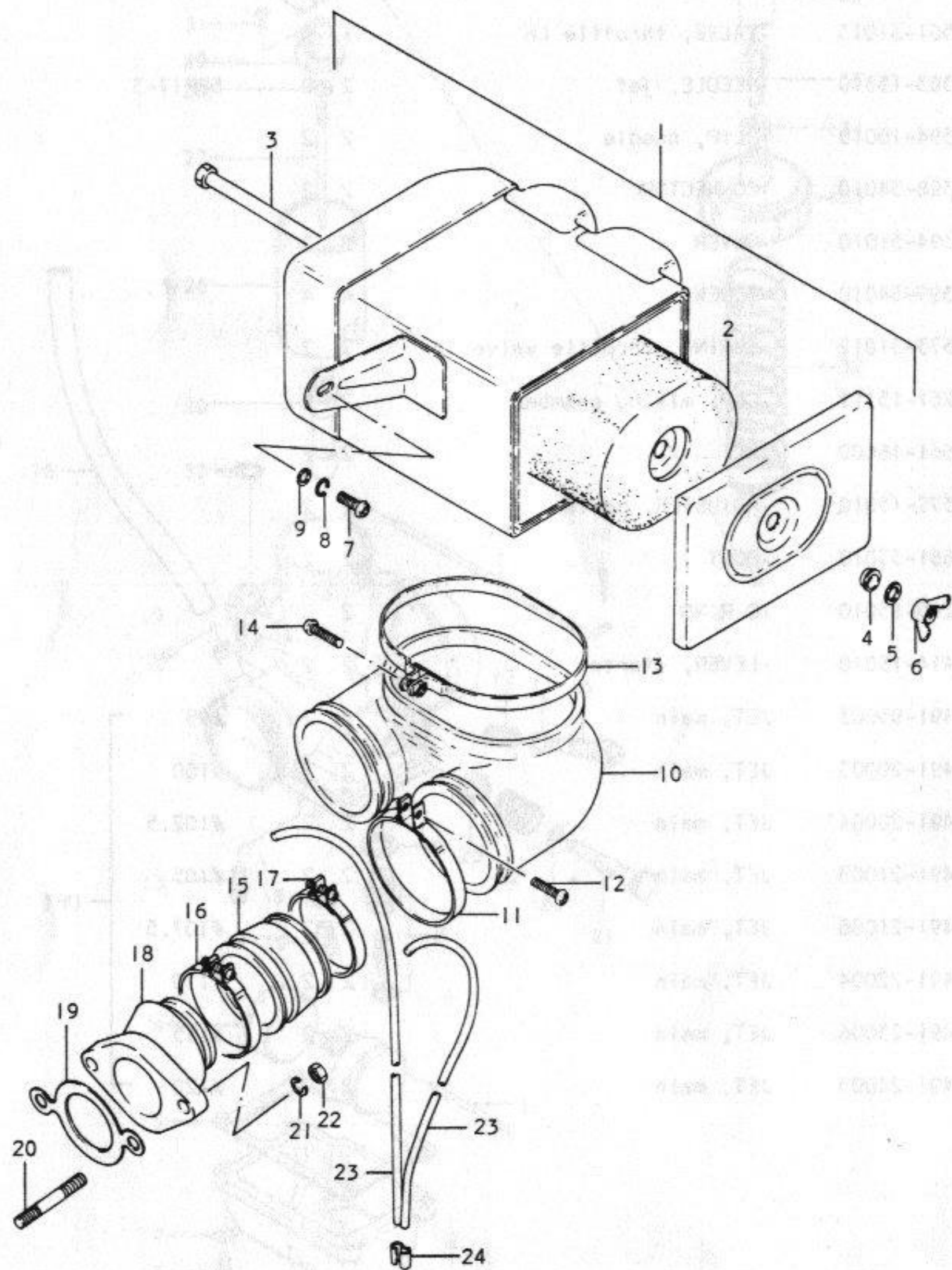


FIG.5 CARBURETOR

Ref.No.	Part No.	Description	Q'ty		Remarks
			A	B	
25	13551-31013	·VALVE, throttle RH	1	1	
26	13561-31013	·VALVE, throttle LH	1	1	
27	13383-15310	·NEEDLE, jet	2	2	5FP17-3
28	13394-10010	·CLIP, needle	2	2	
29	13398-34010	·CONNECTOR	2	2	
30	13394-31010	·COVER	2	2	
31	13399-34010	·SCREW	4	4	
32	13573-31012	·SPRING, throttle valve	2	2	
33	13261-15111	·CAP, mixing chamber	2	2	
34	13661-16600	·NUT	2	2	
35	13577-15010	·ADJUSTER, cable	2	2	
36	13681-33010	·BOOT	2	2	
37	13295-15010	·O RING	2	2	
38	13414-15010	·LEVER, starter	2	2	
39-1	09491-95003	JET, main	2	2	#95
39-2	09491-20003	JET, main	2	2	#100
39-3	09491-20004	JET, main	2	2	#102.5
39-4	09491-21003	JET, main	2	2	#105
39-5	09491-21006	JET, main	2	2	#107.5
39-6	09491-22004	JET, main	2	2	#110
39-7	09491-23006	JET, main	2	2	#115
39-8	09491-24005	JET, main	2	2	#120

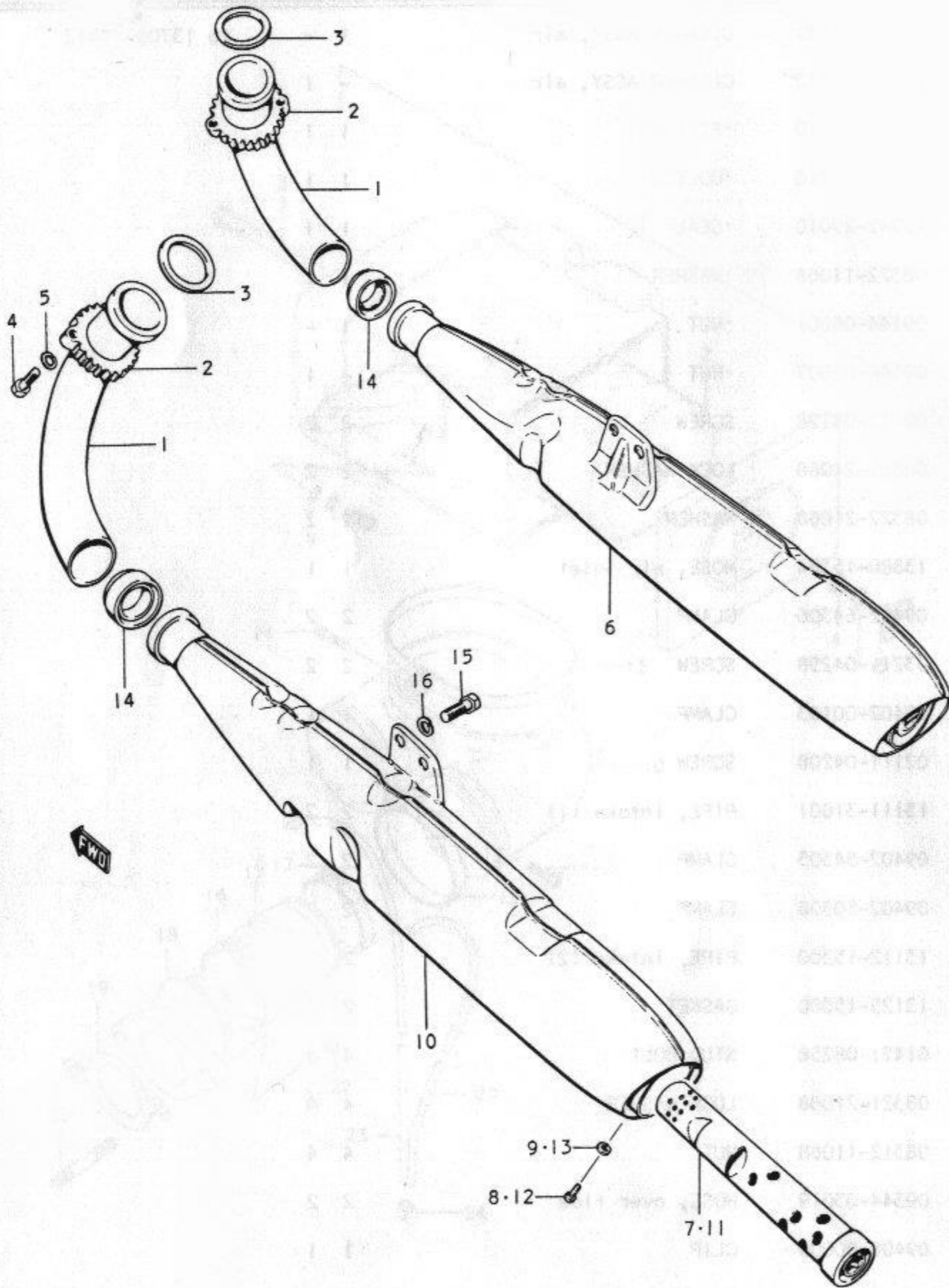
OPT



Ref.No.	Part No.	Description	Q'ty		Remarks
			A	B	
1-1	13700-15311	CLEANER ASSY, air	1	-	to 13700-15312
1-2	13700-15312	CLEANER ASSY, air	-	1	
2	13780-15310	•FILTER	1	1	
3	13726-15310	•BOLT	1	1	
4	13742-29010	•SEAL	1	1	
5	08322-11068	•WASHER	1	1	
6-1	09144-06001	•NUT	1	-	
6-2	09144-06007	•NUT	-	1	
7	02112-06128	SCREW	2	2	
8	08321-21068	LOCK WASHER	2	2	
9	08322-21068	WASHER	2	2	
10	13880-15304	HOSE, air inlet	1	1	
11	09402-64306	CLAMP	2	2	
12	03211-04258	SCREW	2	2	
13	09402-00163	CLAMP	1	1	
14	02111-04208	SCREW	1	1	
15	13111-31001	PIPE, intake (1)	2	2	
16	09402-54305	CLAMP	2	2	
17	09402-50306	CLAMP	2	2	
18	13112-15300	PIPE, intake (2)	2	2	
19	13125-15000	GASKET	2	2	
20	01421-08258	STUD BOLT	4	4	
21	08321-21088	LOCK WASHER	4	4	
22	08312-11088	NUT	4	4	
23	09344-03019	HOSE, over flow	2	2	
24	09408-00005	CLIP	1	1	

FIG.7 MUFFLER

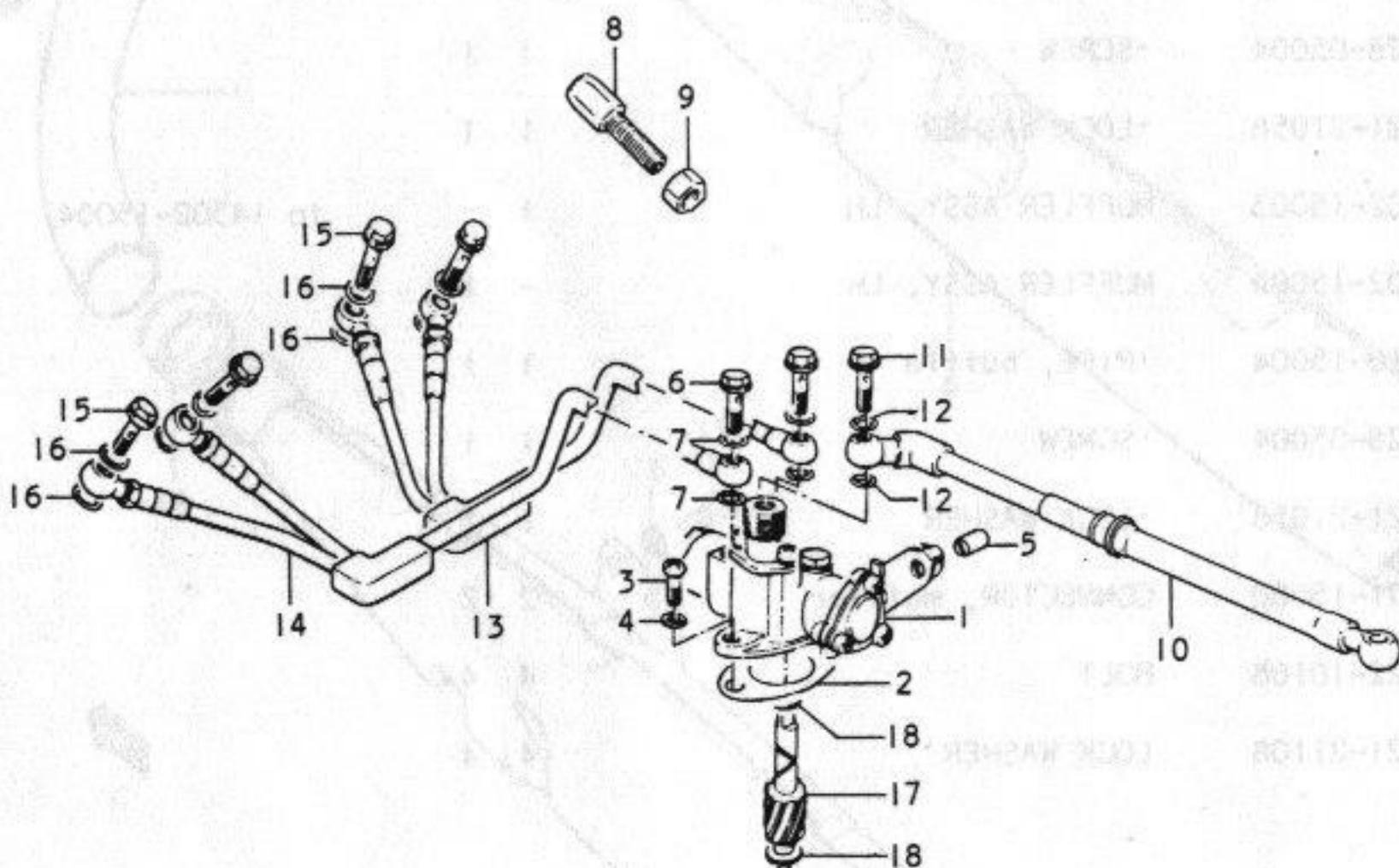
9019 J10 8.017

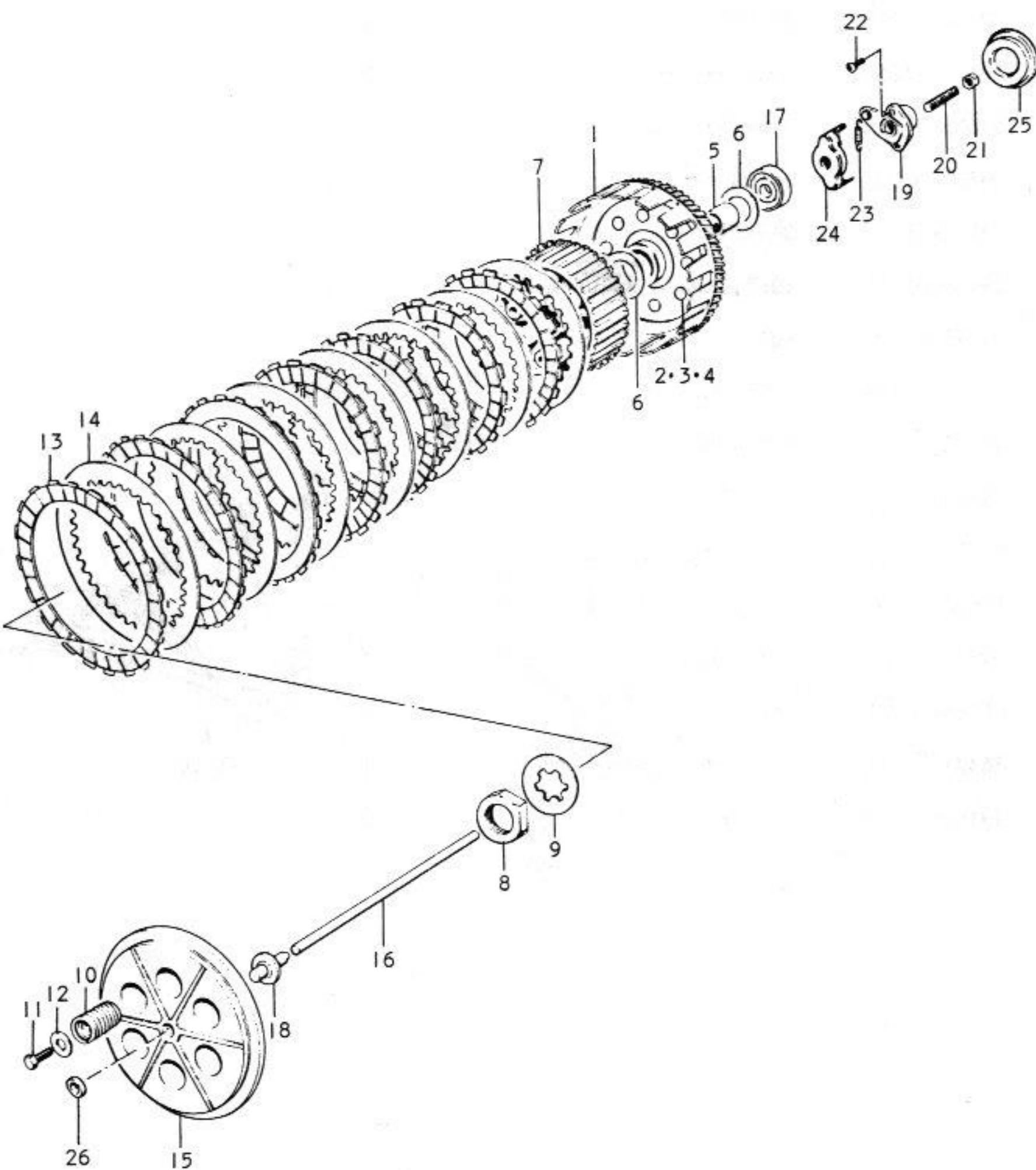


Ref.No.	Part No.	Description	Q'ty		Remarks
			A	B	
1	14150-15000	PIPE, exhaust	2	2	
2	14182-15000	CLAMP, exhaust pipe	2	2	
3	14181-15010	GASKET	2	2	
4	01122-08408	BOLT	4	4	
5	08321-21088	LOCK WASHER	4	4	
6-1	14301-15003	MUFFLER ASSY, RH	1	-	to 14301-15004
6-2	14301-15004	MUFFLER ASSY, RH	-	1	
7	14510-15004	•PIPE, baffle	1	1	
8	09128-05004	•SCREW	1	1	
9	08321-21058	•LOCK WASHER	1	1	
10-1	14302-15003	MUFFLER ASSY, LH	1	-	to 14302-15004
10-2	14302-15004	MUFFLER ASSY, LH	-	1	
11	14510-15004	•PIPE, buffle	1	1	
12	09128-05004	•SCREW	1	1	
13	08321-21058	•LOCK WASHER	1	1	
14	14771-15080	CONNECTOR, muffler	2	2	
15	01122-10168	BOLT	4	4	
16	08321-21108	LOCK WASHER	4	4	

FIG.8 OIL PUMP

Ref.No.	Part No.	Description	Q'ty		Remarks
			A	B	
1	16100-15110	PUMP, oil	1	1	
2	16731-11000	GASKET	1	1	
3	02112-06168	SCREW	2	2	
4	08321-21068	LOCK WASHER	2	2	
5	13683-51010	TERMINAL, cable	1	1	
6	09360-06005	UNION BOLT	2	2	
7	09168-06002	GASKET	4	4	
8	09119-08014	BOLT, cable adjuster	1	1	
9	08312-21088	NUT	1	1	
10	16810-15131	HOSE, oil (1)	1	1	
11	09360-06003	UNION BOLT	2	2	
12	09168-06002	GASKET	4	4	
13	16820-15033	HOSE, oil (2)	1	1	
14	16840-15033	HOSE, oil (3)	1	1	
15	09360-06003	UNION BOLT	4	4	
16	09168-06002	GASKET	8	8	
17	26431-15000	GEAR, tachometer driven	1	1	NT:10
18	09160-08003	WASHER	2	2	

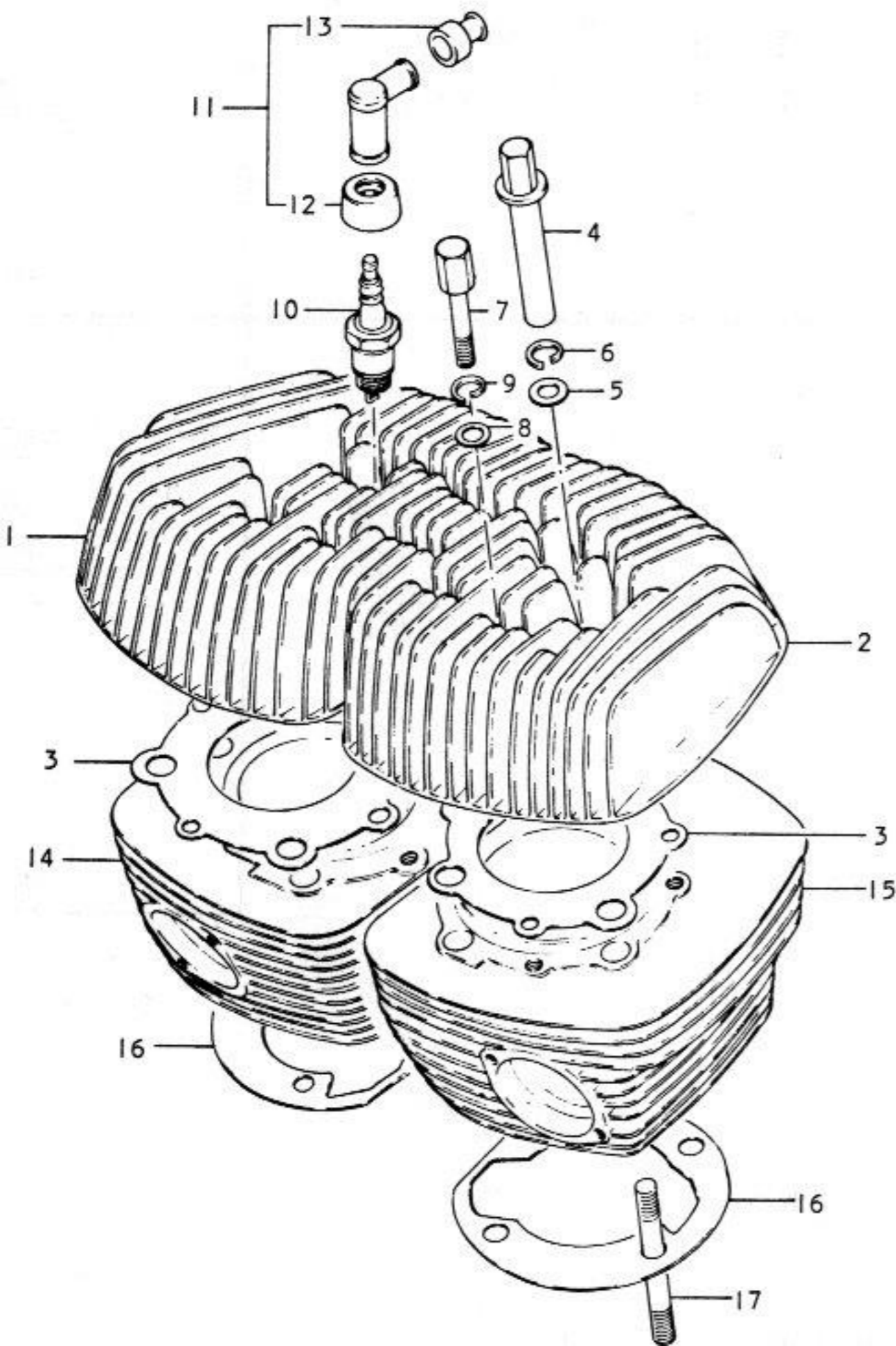




Ref.No.	Part No.	Description	Q'ty		Remarks
			A	B	
1	21200-15002	GEAR, primary driven	1	1	NT:65
2	21231-15040	•DAMPER	8	8	
3	21241-16400	•PLATE	1	1	
4	21251-16400	•CUSHION	1	1	
5	05221-05249	•RIVET	8	8	
6	09180-22002	SPACER	1	1	
7	08211-22423	WASHER	2	2	
8	21411-15010	HUB	1	1	
9	09140-22003	NUT	1	1	
10	09167-22005	LOCK WASHER	1	1	
11	09440-19003	SPACER	6	6	
12	01112-06168	BOLT	6	6	
13	09160-06020	WASHER	6	6	
14	21441-16500	PLATE, drive	7	7	
15	21451-31000	PLATE, driven	7	7	
16	21462-15000	DISK, pressure	1	1	
17	23111-15001	ROD, push	2	2	
18	09285-08001	OIL SEAL	1	1	
19	23121-15001	PIECE, push	1	1	
20	23200-15001	SCREW ASSY, release	1	1	
21	09134-08006	•SCREW	1	1	
22	08312-32088	•NUT	1	1	
23	02112-06128	SCREW	2	2	
24	09443-08001	SPRING	1	1	
25	23241-15000	COVER, release screw	1	1	
26	09250-30003	CAP	1	1	
27	09284-10002	OIL SEAL	1	1	

FIG.1 CYLINDER

FIG.1 CYLINDER



Ref.No.	Part No.	Description	Q'ty		Remarks
			A	B	
1	11111-15601	CYLINDER HEAD, RH	1	1	
2	11121-15601	CYLINDER HEAD, LH	1	1	
3	11141-15000	GASKET	2	2	
4	09159-10005	NUT	8	8	
5	08322-11148	WASHER	8	8	
6	08321-21148	LOCK WASHER	8	8	
7	09119-08001	BOLT	8	8	
8	08322-11088	WASHER	8	8	
9	08321-21088	LOCK WASHER	8	8	
10	09482-00082	SPARK PLUG	2	2	NGK, B-7HS
11	33500-69810	SPARK PLUG CAP SET	2	2	
12	33541-69010	•SEAL, cap	2	2	
13	33542-98000	•SEAL, cap	2	2	
14	11210-15301	CYLINDER, RH	1	1	
15	11220-15301	CYLINDER, LH	1	1	
16	11241-15000	GASKET	2	2	
17	01421-10858	STUD BOLT	8	8	

FIG.10 TRANSMISSION

FIG.10 TRANSMISSION

Ref.No.	Part No.	Description	Q'ty		Remarks
			A	B	
1	24120-15003	COUNTERSHAFT	1	1	
2	09319-26001	BUSHING	1	1	
3	09263-20005	BEARING	1	1	
4	06211-07122	PIN	1	1	
5	09160-20004	WASHER	1	1	20x30x1
6	09262-22004	BEARING	1	1	
7	06211-04063	PIN	1	1	
8	09390-59001	C RING	1	1	
9	24131-15000	DRIVESHAFT	1	1	
10	24311-15001	GEAR, 1st driven	1	1	NT:30
11	24321-15000	GEAR, 2nd driven	1	1	NT:25
12	24331-15000	GEAR, 3rd driven	1	1	NT:22
13	24341-15001	GEAR, 4th driven	1	1	NT:21
14	24351-15003	GEAR, 5th driven	1	1	NT:20
15	24411-15000	WHEEL, 1st driven gear	1	1	
16	24413-15000	WHEEL, 3rd driven gear	1	1	
17	24415-15000	WHEEL, 5th driven gear	1	1	
18	09380-30001	CIRCLIP	4	4	
19	09399-30002	RING, 5th driven gear	2	2	
20	09380-41001	CIRCLIP, 5th driven gear	1	1	
21	09263-20005	BEARING, 1st driven gear	1	1	
22	20000-15814	BEARING SET	4	4	
23	09160-20004	WASHER, 1st driven gear	2	2	
24	09167-30002	WASHER	4	4	T:2
25	09319-26001	BUSHING	1	1	

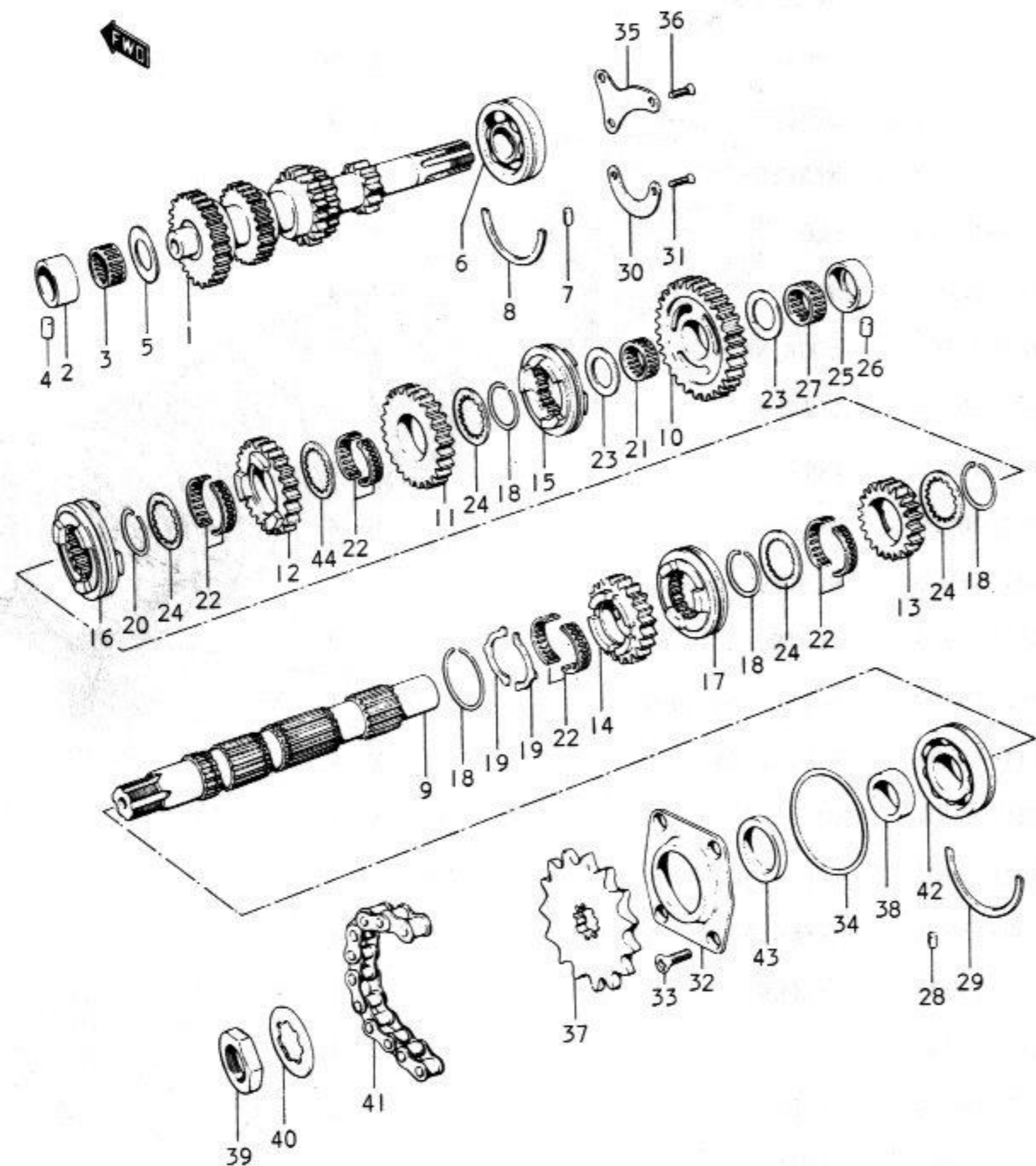
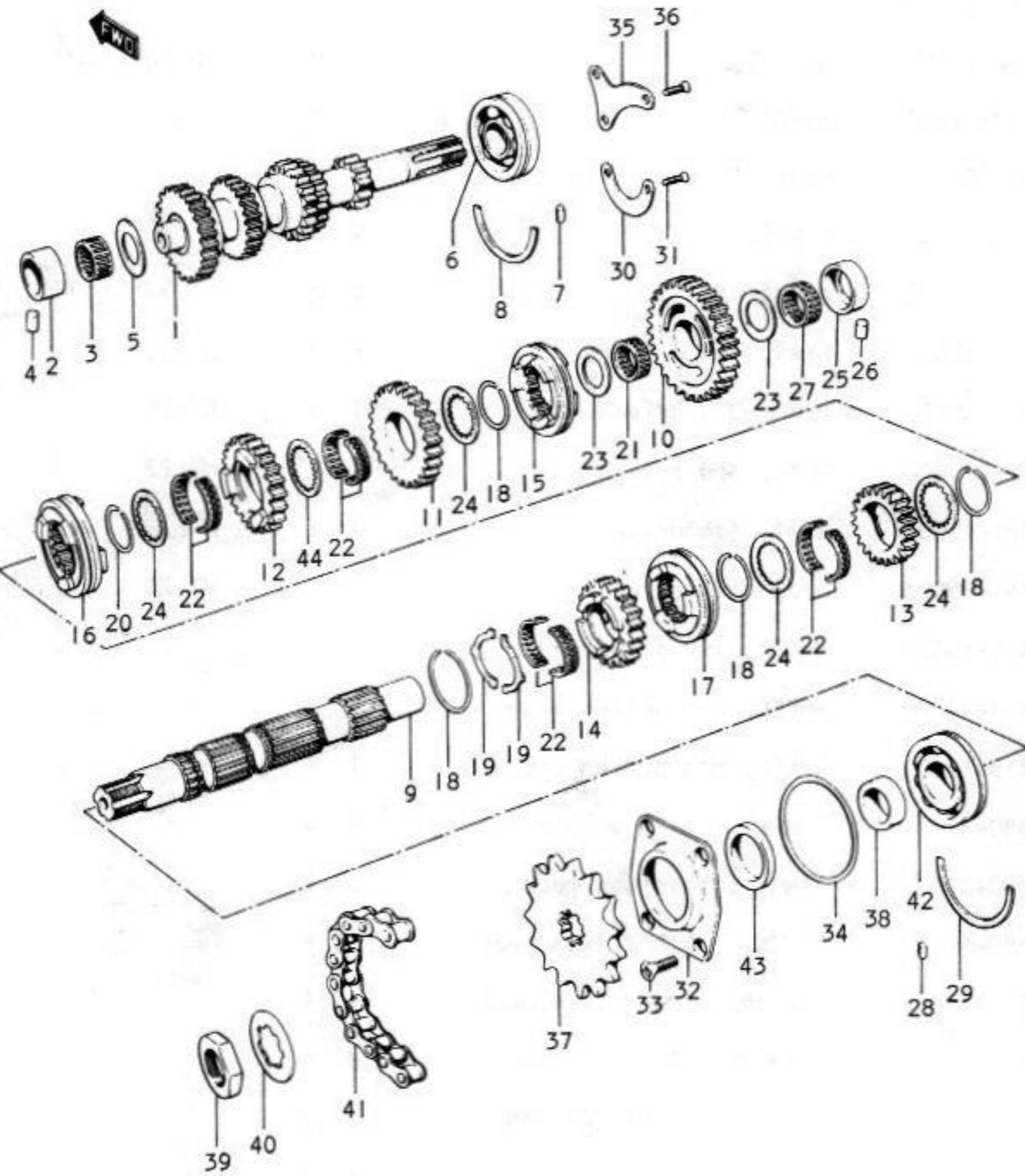


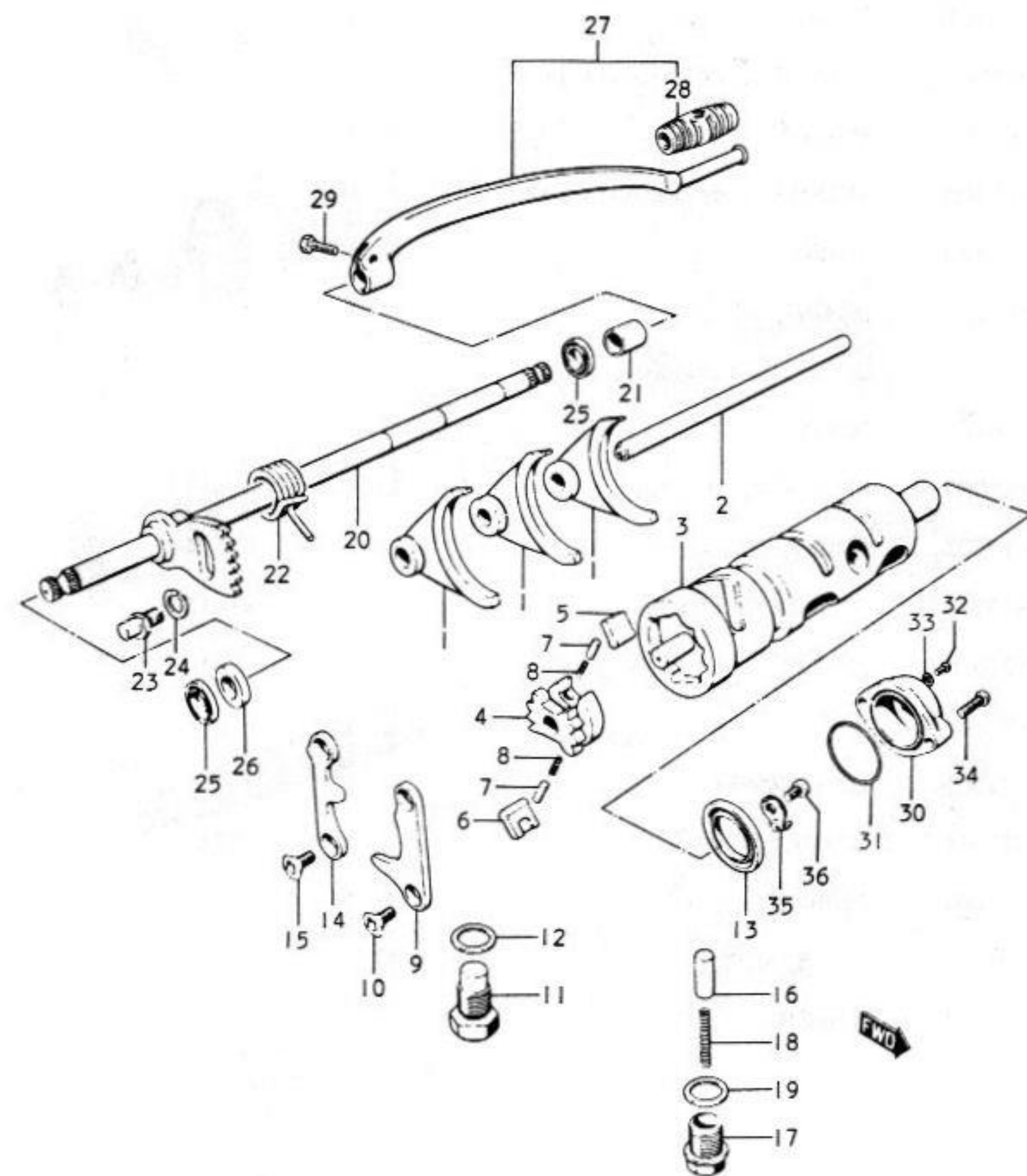
FIG.10 TRANSMISSION

FIG.10 TRANSMISSION



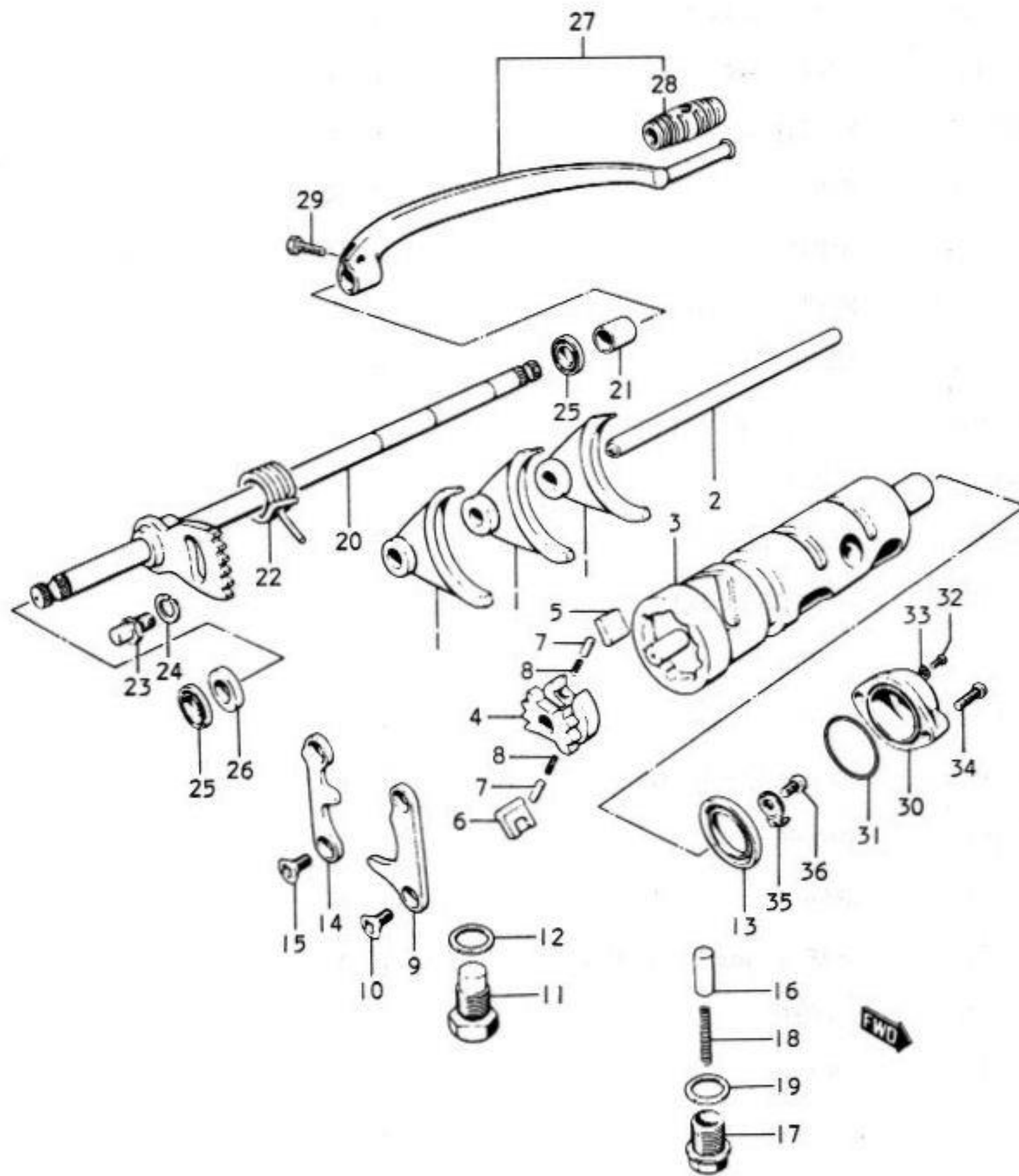
Ref.No.	Part No.	Description	Q'ty		Remarks
			A	B	
26	06211-07122	PIN	1	1	
27	09263-20005	BEARING	1	1	
28	06211-04063	PIN	1	1	
29	09390-59001	C RING	1	1	
30	24741-15000	RETAINER, driveshaft bearing	1	1	
31	02122-06168	SCREW	2	2	
32	24751-15000	RETAINER, driveshaft bearing	1	1	
33	02122-06128	SCREW	4	4	
34	09280-63001	O RING	1	1	
35	24871-15000	CUP, oil reservoir	1	1	
36	02122-06128	SCREW	3	3	
37-1	27511-15000	SPROCKET, engine	1	1	NT:15
37-2	27511-15700	SPROCKET, engine	1	1	NT:14
37-3	27511-15710	SPROCKET, engine	1	1	NT:13
38	09180-22001	SPACER	1	1	
39	09140-22003	NUT	1	1	
40	09167-22005	LOCK WASHER	1	1	
41	27600-15911	CHAIN, drive	1	1	110&
42	09262-22001	BEARING	1	1	
43	09283-27001	OIL SEAL	1	1	
44	09167-30001	WASHER	1	1	T:1

NT:14 }
NT:13 } OPT

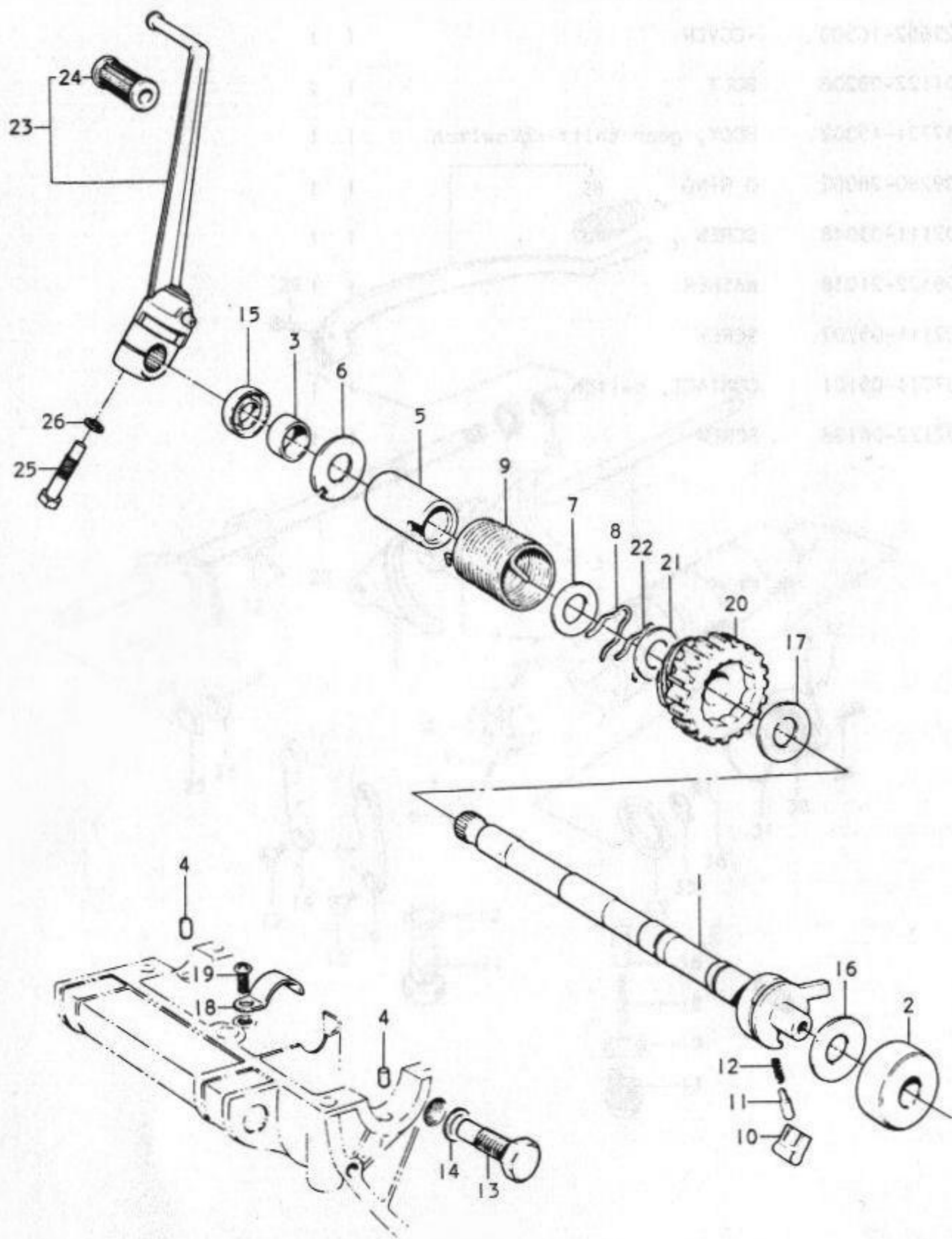


Ref.No.	Part No.	Description	Q'ty	
			A	B
1	25211-15000	FORK, gear shifting	3	3
2	25411-15000	SHAFT, gear shifting fork	1	1
3	25310-15002	CAM	1	1
4	25322-11000	GEAR, driven	1	1
5	25323-11000	PAWL, (1)	1	1
6	25324-11000	PAWL, (2)	1	1
7	09261-05003	PIN	2	2
8	09440-04003	SPRING	2	2
9	25331-11001	RIFTER, pawl	1	1
10	02122-06128	SCREW	2	2
11	09119-14003	BOLT, cam guide	1	1
12	09168-14004	GASKET	1	1
13	09285-16002	OIL SEAL	1	1
14	25341-31000	STOPPER, pawl	1	1
15	02122-06128	SCREW	2	2
16	25351-11000	STOPPER, cam	1	1
17	25352-11000	HOUSING, stopper	1	1
18	09440-05007	SPRING	1	1
19	09168-14004	GASKET	1	1
20	25510-15001	SHAFT, gear shifting	1	1
21	09180-12021	SPACER	1	1
22	09444-26001	SPRING	1	1
23	25671-01000	STOPPER, arm	1	1
24	08321-21088	LOCK WASHER	1	1
25	09285-12002	OIL SEAL	2	2
26	09320-13004	CUSHION	1	1

FIG.11 GEAR SHIFTING



Ref.No.	Part No.	Description	Q'ty	
			A	B
27	25600-18002	LEVER ASSY, gear shifting	1	1
28	25652-16500	COVER	1	1
29	01122-08208	BOLT	1	1
30	37721-15002	BODY, gear shifting switch	1	1
31	09280-28002	O RING	1	1
32	02111-03048	SCREW	1	1
33	08322-21038	WASHER	1	1
34	02111-05207	SCREW	2	2
35	37711-05101	CONTACT, switch	1	1
36	02122-06128	SCREW	1	1



Ref.No.	Part No.	Description	Q'ty		Remarks
			A	B	
1	26210-15001	SHAFT, kick starter	1	1	
2	26215-15000	BUSHING, RH	1	1	
3	09300-16003	BUSHING, LH	1	1	
4	06211-07122	PIN	2	2	
5	26221-15000	GUIDE, spring	1	1	
6	09166-16001	WASHER	1	1	
7	09160-16003	WASHER	1	1	
8	09384-16001	CIRCLIP	1	1	
9	09448-37001	SPRING	1	1	
10	26231-20000	PAWL	1	1	
11	09209-05011	PIN	1	1	
12	09440-04010	SPRING	1	1	
13	09135-14001	BOLT	1	1	
14	09160-14001	WASHER	1	1	
15	09285-16002	OIL SEAL	1	1	
16	09160-13002	WASHER, RH	1	1	
17	09160-16009	WASHER, LH	1	1	
18	26235-15000	CLAMP, shaft	1	1	
19	02112-06128	SCREW	1	1	
20	26240-15003	GEAR, drive	1	1	NT:20/10
21	09160-16003	WASHER	1	1	
22	09384-16001	CIRCLIP	1	1	
23	26300-15000	LEVER ASSY, kick starter	1	1	
24	26352-01000	COVER	1	1	
25	09135-10002	BOLT	1	1	
26	08321-21108	LOCK WASHER	1	1	

FIG.13 MAGNETO

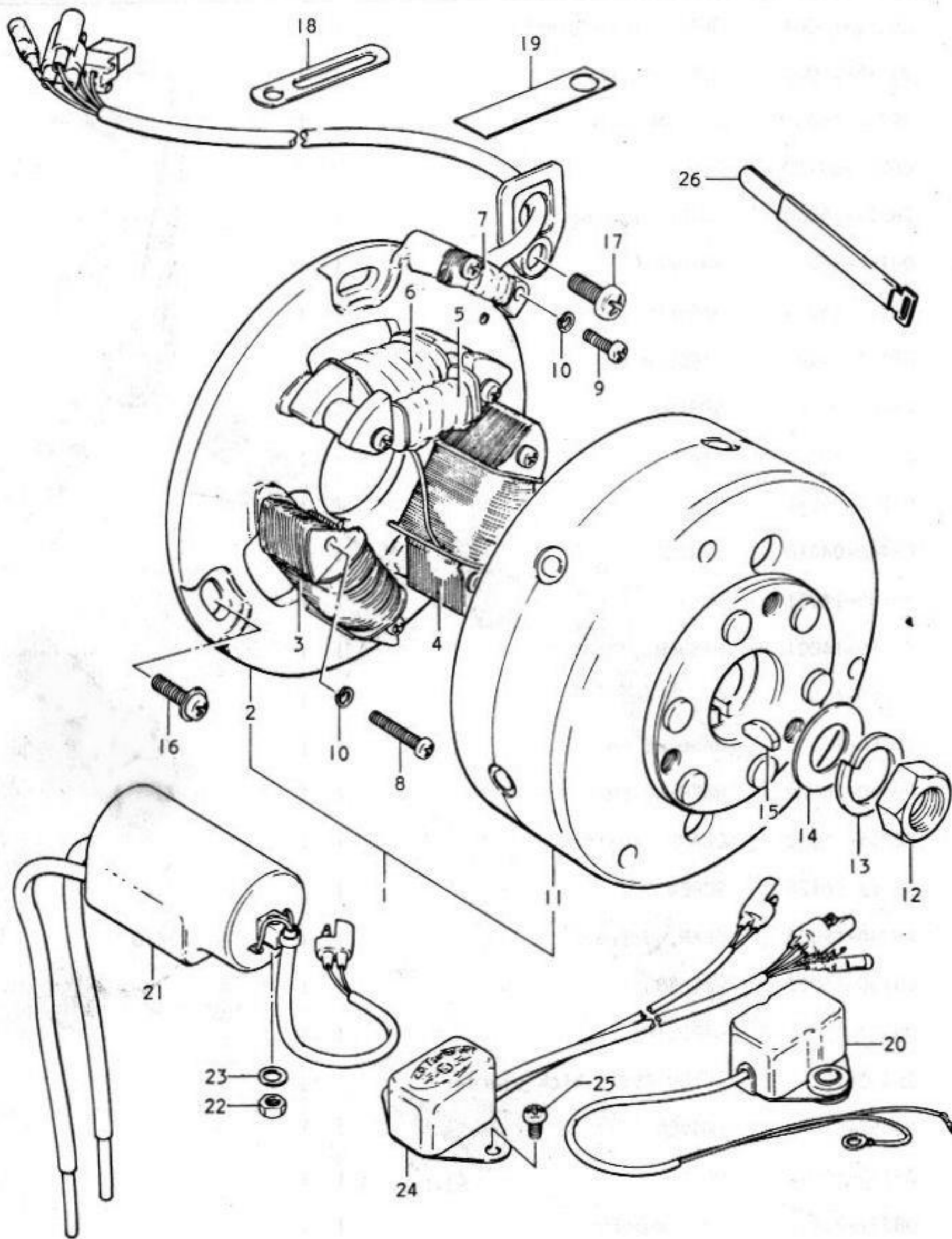
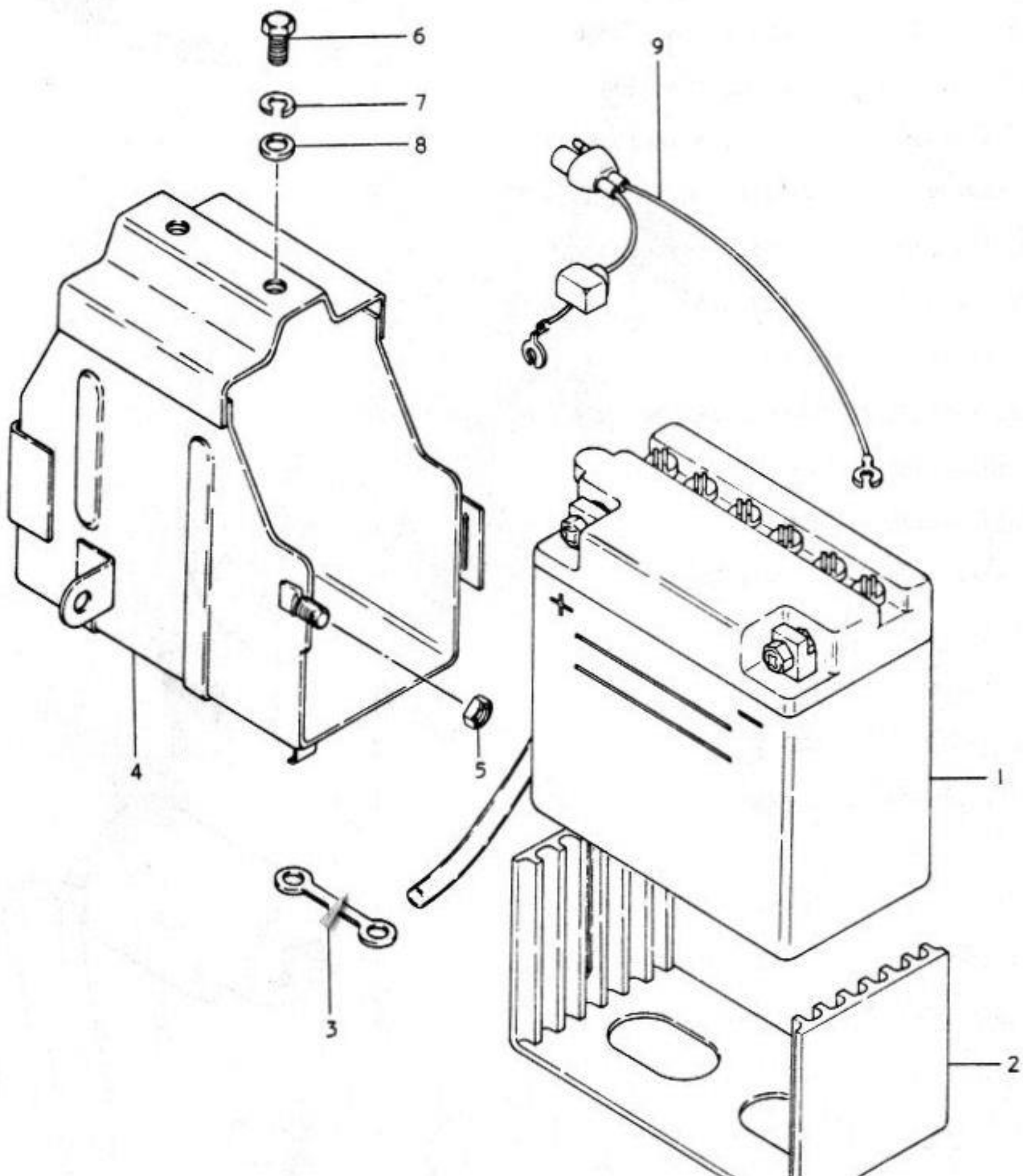


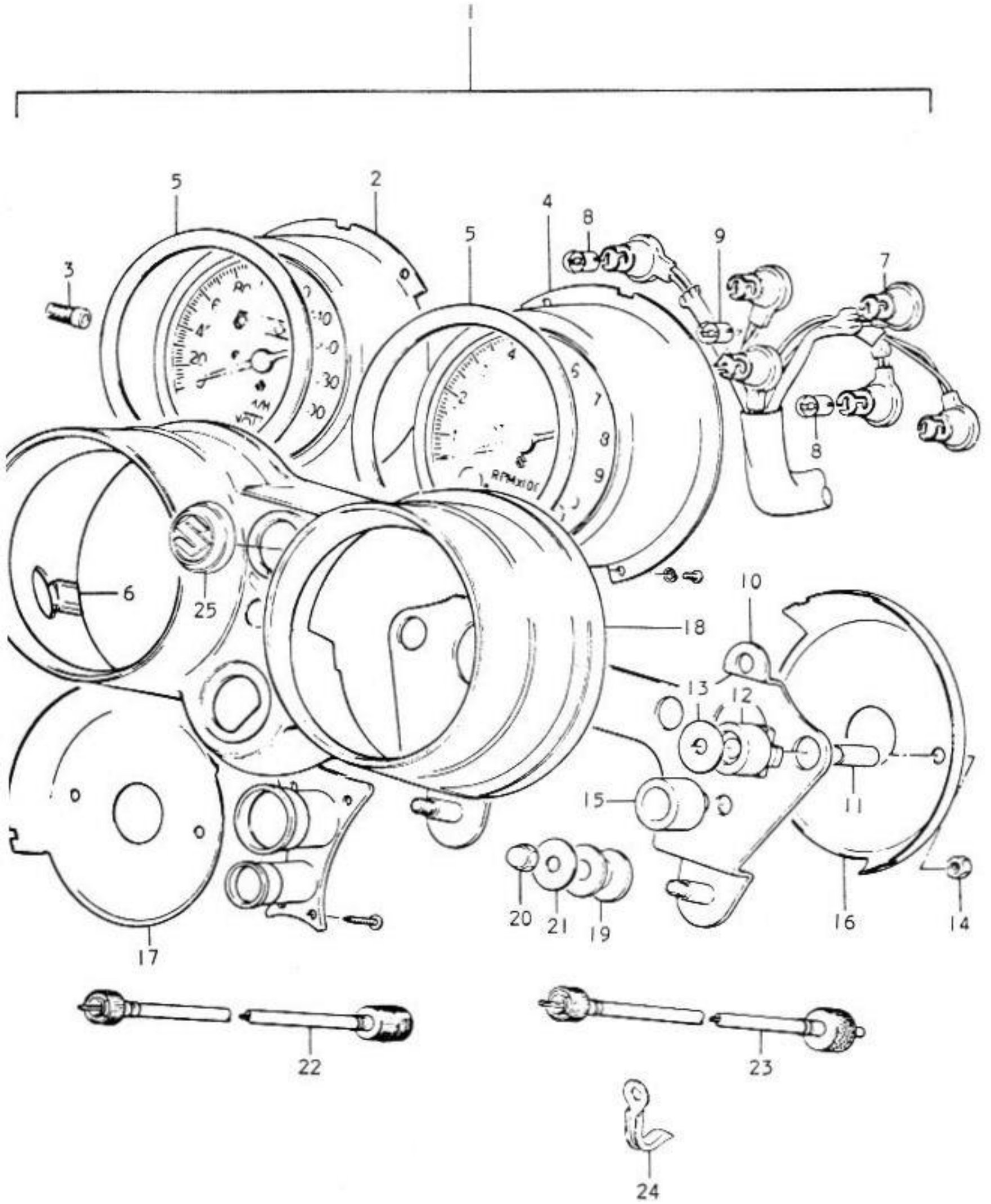
FIG.13 MAGNETO

Ref.No.	Part No.	Description	Q'ty	
			A	B
1	32100-15320	MAGNETO ASSY	1	1
2	32101-15320	·STATOR ASSY	1	1
3	32131-15320	··COIL, charging A	1	1
4	32132-15320	··COIL, charging B	1	1
5	32141-15320	··COIL, primary A	1	1
6	32142-15320	··COIL, primary B	1	1
7	32150-15320	··COIL, pulser	1	1
8	02111-04358	··SCREW	6	6
9	02111-04208	··SCREW	2	2
10	08321-21048	··LOCK WASHER	8	8
11	32102-15320	·ROTOR	1	1
12	08312-11128	NUT	1	1
13	08321-21128	LOCK WASHER	1	1
14	08322-11128	WASHER	1	1
15	08341-31039	KEY	1	1
16	09139-05011	SCREW	3	3
17	02112-06108	SCREW	1	1
18	09404-06401	CLAMP	1	1
19	09403-00059	CLAMP	1	1
20	32500-15320	REGURATOR ASSY, voltage	1	1
21	33410-15320	COIL ASSY, ignition	1	1
22	08311-11068	NUT	2	2
23	08322-21068	WASHER	1	1
24	32900-15320	C.D.I. UNIT ASSY	1	1
25	02111-06087	SCREW	2	2
26	09407-18301	CLAMP	-	1

FIG.14 BATTERY

Ref.No.	Part No.	Description	Q'ty		Remarks
			A	B	
1	33610-33120	BATTERY	1	1	12V, 7AH
2	33651-15000	PROTECTOR	1	1	
3	09404-07704	CLAMP, exhaust pipe	1	1	
4	41540-15002	HOLDER, battery	1	1	
5	08313-11067	NUT	1	1	
6	01122-08208	BOLT	2	2	
7	08321-21088	LOCK WASHER	2	2	
8	08322-21088	WASHER	1	1	
9	36860-15020	LEAD WIRE, battery	1	1	





Ref.No.	Part No.	Description	Q'ty		Remarks
			A	B	
1-1	34100-15692	SPEEDOMETER / TACHOMETER ASSY	1	-	KILO to 34100-15693
1-2	34100-15695	SPEEDOMETER / TACHOMETER ASSY	-	1	KILO
1-3	34100-15634	SPEEDOMETER / TACHOMETER ASSY	1	-	MILE to 34100-15635
1-4	34100-15637	SPEEDOMETER / TACHOMETER ASSY	-	1	MILE
2-1	34110-33621	•SPEEDOMETER	1	-	KILO to 34110-33622
2-2	34110-15691	•SPEEDOMETER	-	1	KILO
2-3	34110-33632	•SPEEDOMETER	1	-	MILE to 34110-33633
2-4	34110-15631	•SPEEDOMETER	-	1	MILE
3	34980-33600	••KNOB	1	1	
4-1	34210-15124	•TACHOMETER	1	-	to 34210-15125
4-2	34210-15630	•TACHOMETER	-	1	
5	34181-33600	•GASKET	2	2	
6	34192-33600	•CAP	1	1	
7	34170-33020	•SOCKET	1	1	
8	09471-12001	•BULB	1	1	12V, 3.4W
9	09471-12004	•BULB	4	4	12V, 1.7W
10	34950-33601	•BRACKET	1	1	
11	34972-16420	•SPACER	4	4	
12	34955-16420	•CUSHION	4	4	
13	09160-05006	•WASHER	4	4	5.5x18x1.6
14	08311-11068	•NUT	4	4	
15	34956-33600	•CUSHION	2	2	
16	34961-33602	•PLATE, tachometer	1	1	
17	34960-33602	•PLATE, speedometer	1	1	
18	34051-33600	•CASE, meter	1	1	

FIG.15 SPEEDOMETER - TACHOMETER

Ref.No.	Part No.	Description	Q'ty		Remarks
			A	B	
19	34956-15100	CUSHION, bracket	2	2	
20	08313-11067	NUT	2	2	
21	09160-06007	WASHER	2	2	6.5x18x1.6
22	34910-18130	CABLE, speedometer	1	1	
23	34940-33030	CABLE, tachometer	1	1	
24	34991-18100	CLAMP, cable	2	-	
25	34995-31600	CAP	1	1	

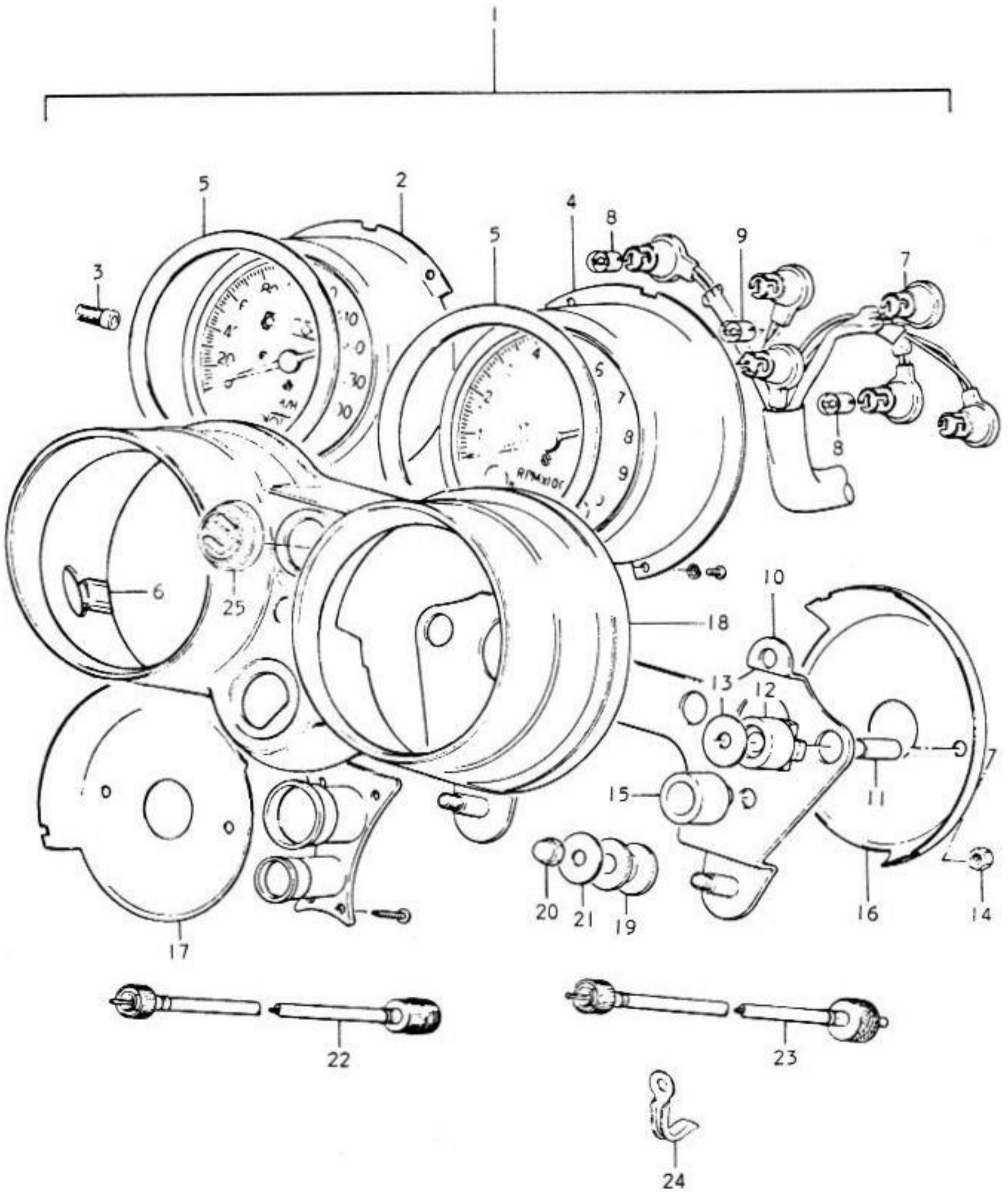
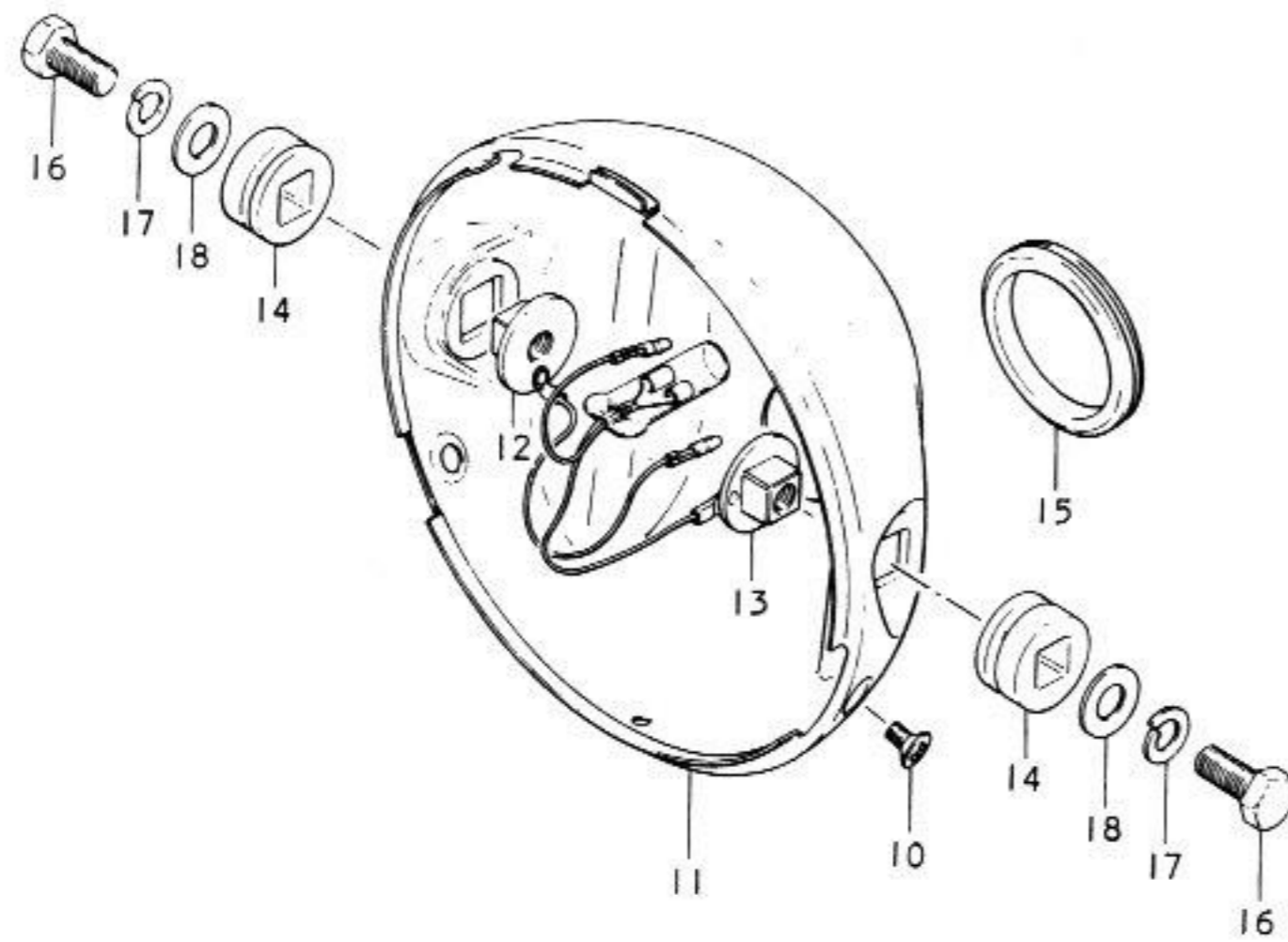


FIG. 16 HEADLAMP



Ref.No.	Part No.	Description	Q'ty		Remarks
			A	B	
1	35100-36131	HEADLAMP ASSY	1	1	
2	35111-33032	•RIM	1	1	
3	35121-33031	•UNIT	1	1	
4	35127-33031	•RING	1	1	
5	35171-36130	•SOCKET	1	1	
6	35181-33031	•SCREW	4	4	
7	08321-21058	•LOCK WASHER	4	4	
8	08311-11058	•NUT	4	4	
9	09471-12043	•BULB	1	1	12V, 35/25W
10	02231-05128	SCREW	2	2	
11-1	51810-30000	HOUSING, headlamp	1	-	
11-2	51810-27300-291	HOUSING, headlamp	-	1	
12	51821-27301	SPACER, RH	1	1	
13	51822-27301	SPACER, LH	1	1	
14	51827-27301	CUSHION	2	2	
15	51845-31031	GROMMET	2	2	
16	01221-08207	BOLT	2	2	
17	08321-21088	LOCK WASHER	2	2	
18	08322-11088	WASHER	2	2	

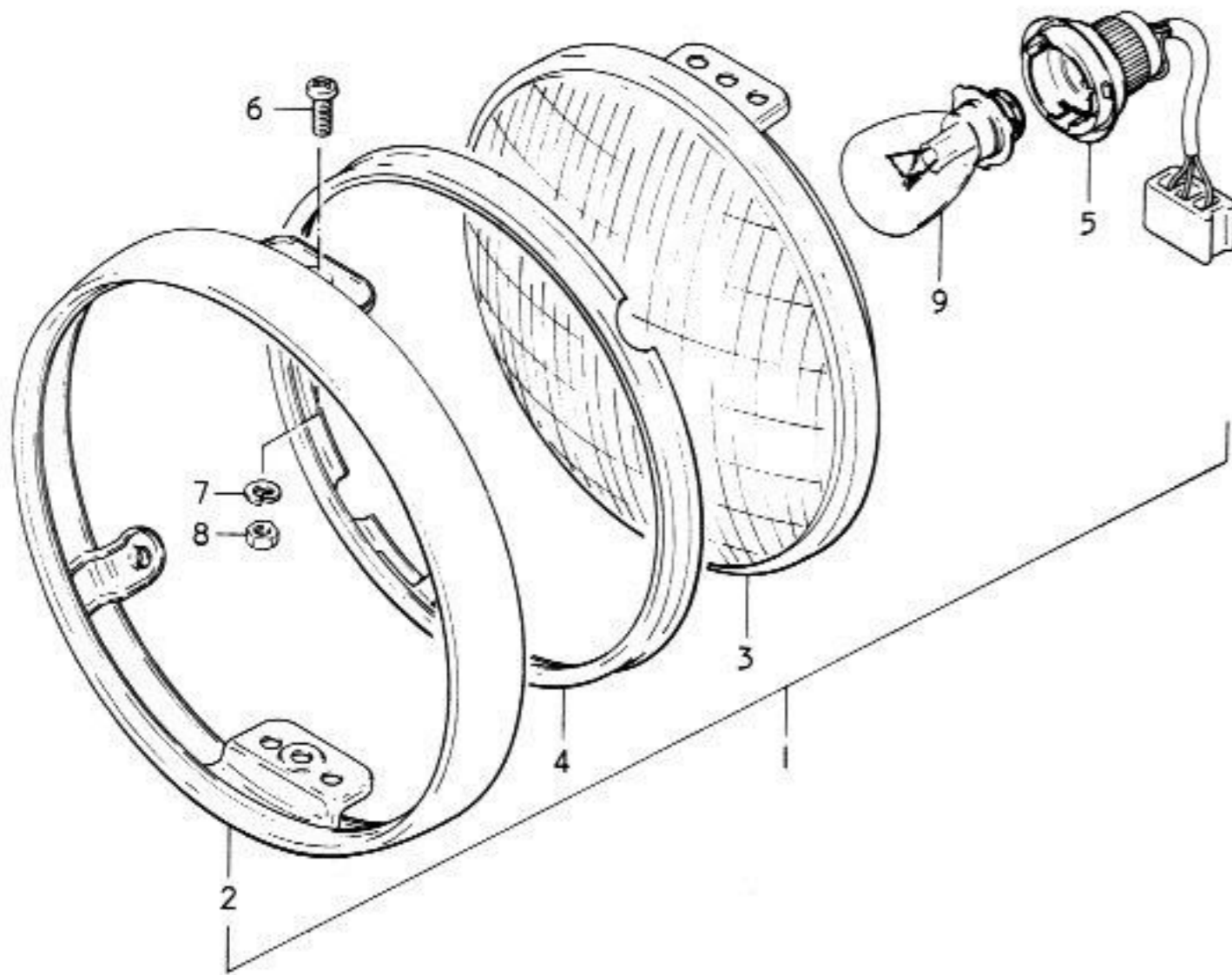
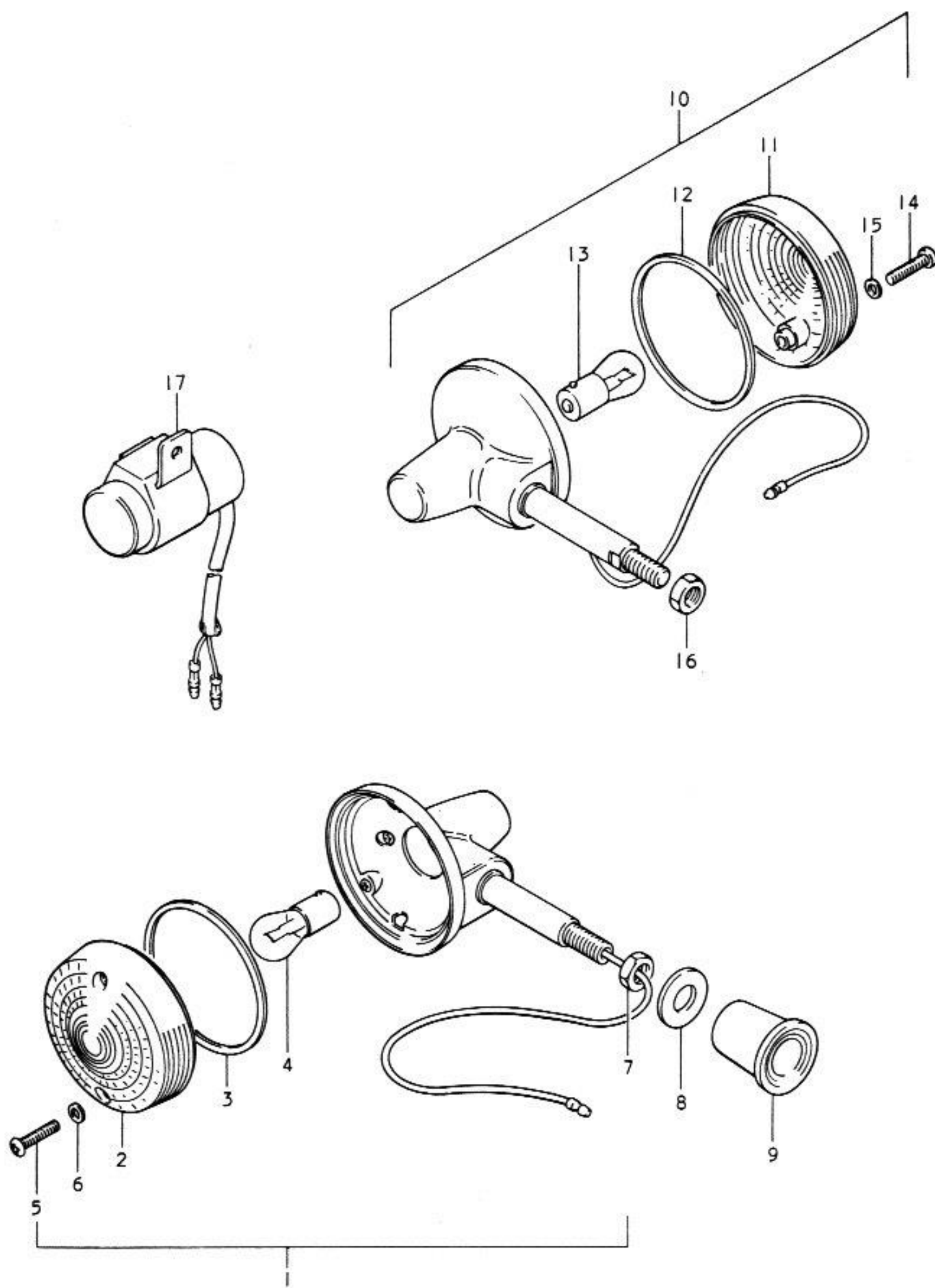


FIG.17 TURN SIGNAL LAMP



Ref.No.	Part No.	Description	Q'ty		Remarks
			A	B	
1	35601-18410	LAMP ASSY, front turn signal	2	2	
2	35612-28620	·LENS	2	2	
3	35613-28620	·GASKET	2	2	
4	09471-12006	·BULB	2	2	12V, 23W
5	02111-04258	·SCREW	4	4	
6	35627-43010	·GASKET	4	4	
7	08312-32108	·NUT	2	2	
8	08322-21108	WASHER	2	2	
9	35698-28000	COVER, turn signal boss	2	2	
10-1	35603-18410	LAMP ASSY, rear turn signal	2	-	
10-2	35603-18411	LAMP ASSY, rear turn signal	-	2	
11	35612-28620	·LENS	2	2	
12	35613-28620	·GASKET	2	2	
13	09471-12006	·BULB	2	2	12V, 23W
14	02111-04258	·SCREW	4	4	
15	35627-43010	·GASKET	4	4	
16	08312-32108	·NUT	2	2	
17	38610-32210	RELAY, turn signal lamp	1	1	

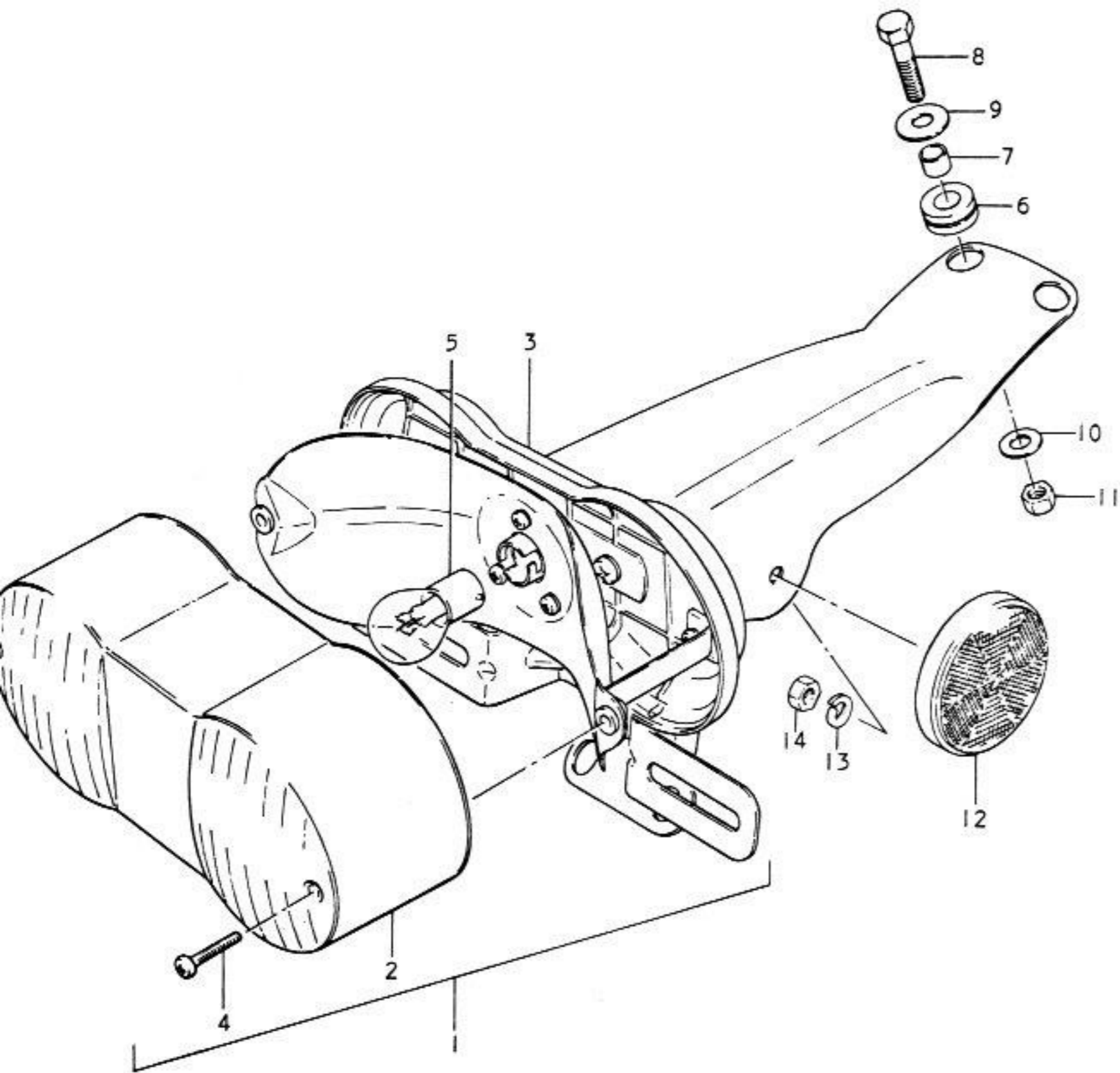
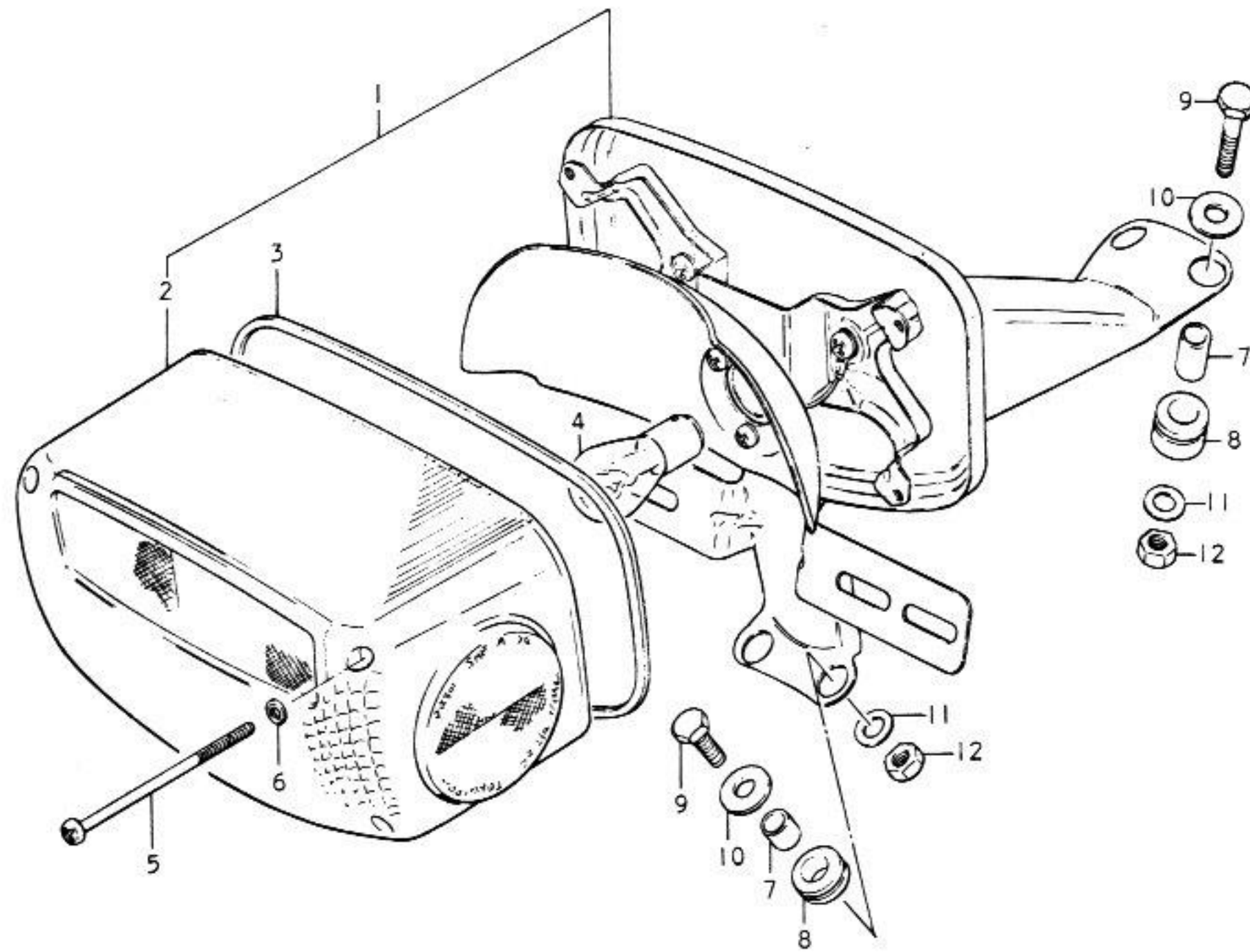


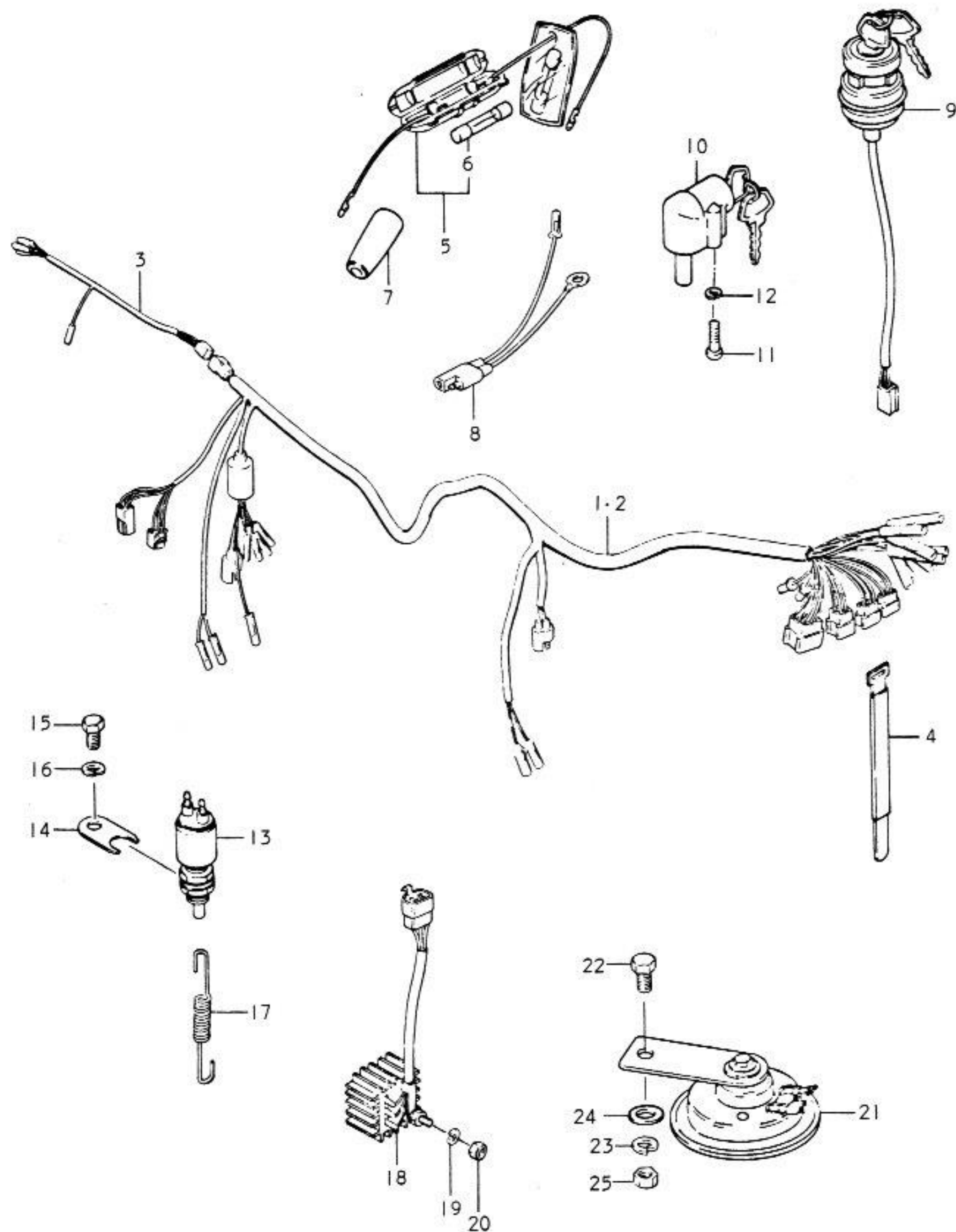
FIG.18 REAR COMBINATION LAMP (GT500A)

Ref.No.	Part No.	Description	Q'ty A	Remarks
1	35710-18110	LAMP ASSY, rear combination	1	
2	35712-27660	•LENS	1	
3	35715-27691	•HOUSING	1	
4	02111-04558	•SCREW	2	
5	09471-12035	•BULB	1	12V, 23/8W
6	35765-15010	•CUSHION	4	
7	35766-15010	•SPACER	4	
8	01112-06208	BOLT	4	
9	09160-06027	WASHER	4	
10	08322-21068	WASHER	4	
11	08311-11068	NUT	4	
12	35970-31610	REFLEX REFLECTOR, rear	2	from 35970-15010
13	08321-21058	LOCK WASHER	2	
14	08311-11058	NUT	2	

FIG.19 REAR COMBINATION LAMP (GT500B)

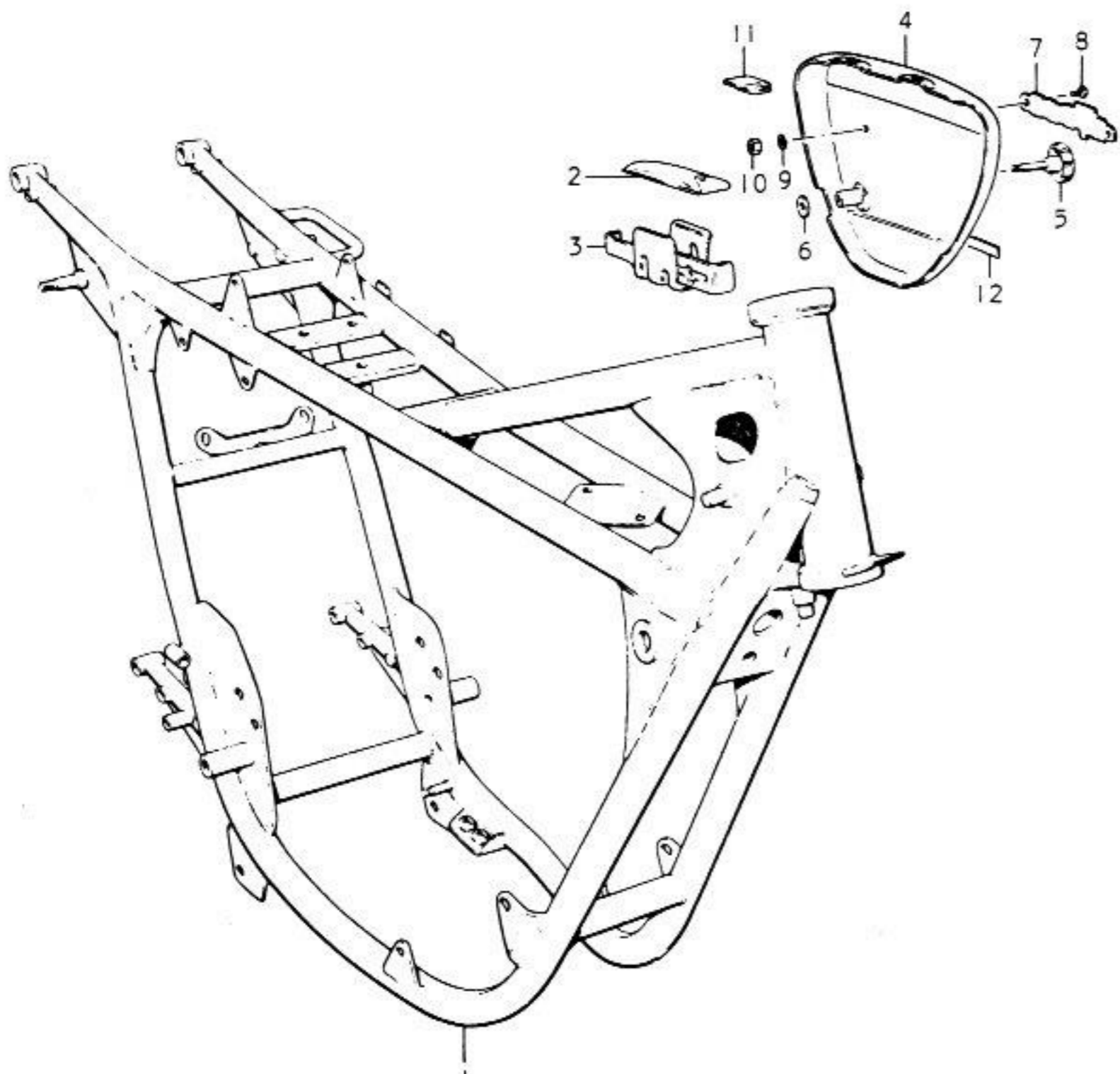


Ref.No.	Part No.	Description	Q'ty B	Remarks
1	35710-31620	LAMP ASSY, rear combination	1	
2	35712-45610	•LENS	1	
3	35713-45010	•GASKET	1	
4	09471-12035	•BULB	1	12V, 23/8W
5	02111-04558	•SCREW	4	
6	35627-43010	•GASKET	4	
7	35766-15010	•SPACER	4	
8	35765-27691	•CUSHION	4	
9	01112-06168	BOLT	4	
10	09160-06027	WASHER	4	
11	08322-21068	WASHER	4	
12	08311-11068	NUT	4	



Ref.No.	Part No.	Description	Q'ty		Remarks
			A	B	
1	36610-15300	WIRING HARNESS, (1)	1	-	
2	36610-15301	WIRING HARNESS, (1)	-	1	
3	36620-15900	WIRING HARNESS, (2)	1	-	
4	09407-18301	CLAMP	1	1	
5	36740-15010	FUSE CASE ASSY	1	1	
6	09481-15001	FUSE	1	1	15A
7	09287-10001	BOOT	1	1	
8	36870-36000	LEAD WIRE, fuse/earth	1	1	
9	37110-25318	SWITCH, ignition	1	1	from 37110-25317
10	51900-33810	LOCK STEERING	1	1	
11	02111-05257	SCREW	2	2	
12	08321-21058	LOCK WASHER	2	2	
13	37610-53011	SWITCH, brake lamp	1	1	
14	37752-15001	BRACKET, lamp switch	1	1	
15	01112-06128	BOLT	1	1	
16	08321-21068	LOCK WASHER	1	1	
17	09443-06012	SPRING	1	1	
18	32800-36021	RECTIFIER	1	1	
19	08321-21068	LOCK WASHER	1	1	
20	08311-11068	NUT	1	1	
21-1	38500-15642	HORN	1	-	
21-2	38500-15643	HORN	-	1	
22	01122-08168	BOLT	1	1	
23	08321-21088	LOCK WASHER	1	1	
24	08322-11088	WASHER	-	1	
25	08312-11088	NUT	1	1	

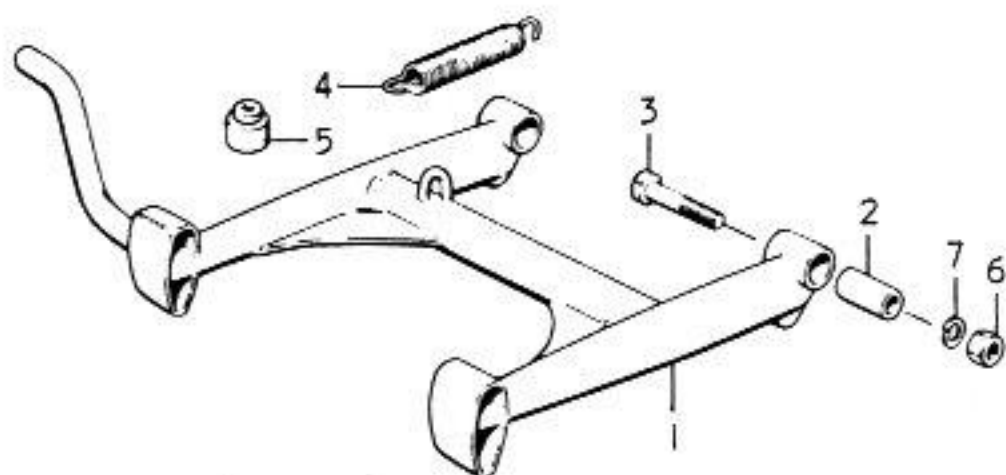
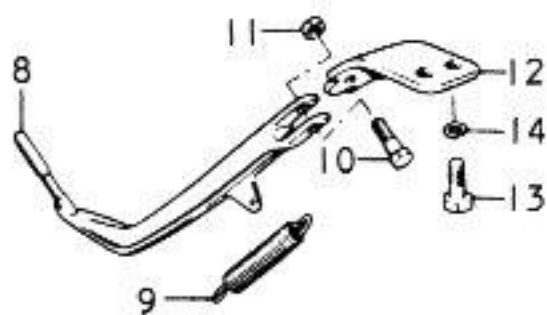
FIG.21 FRAME

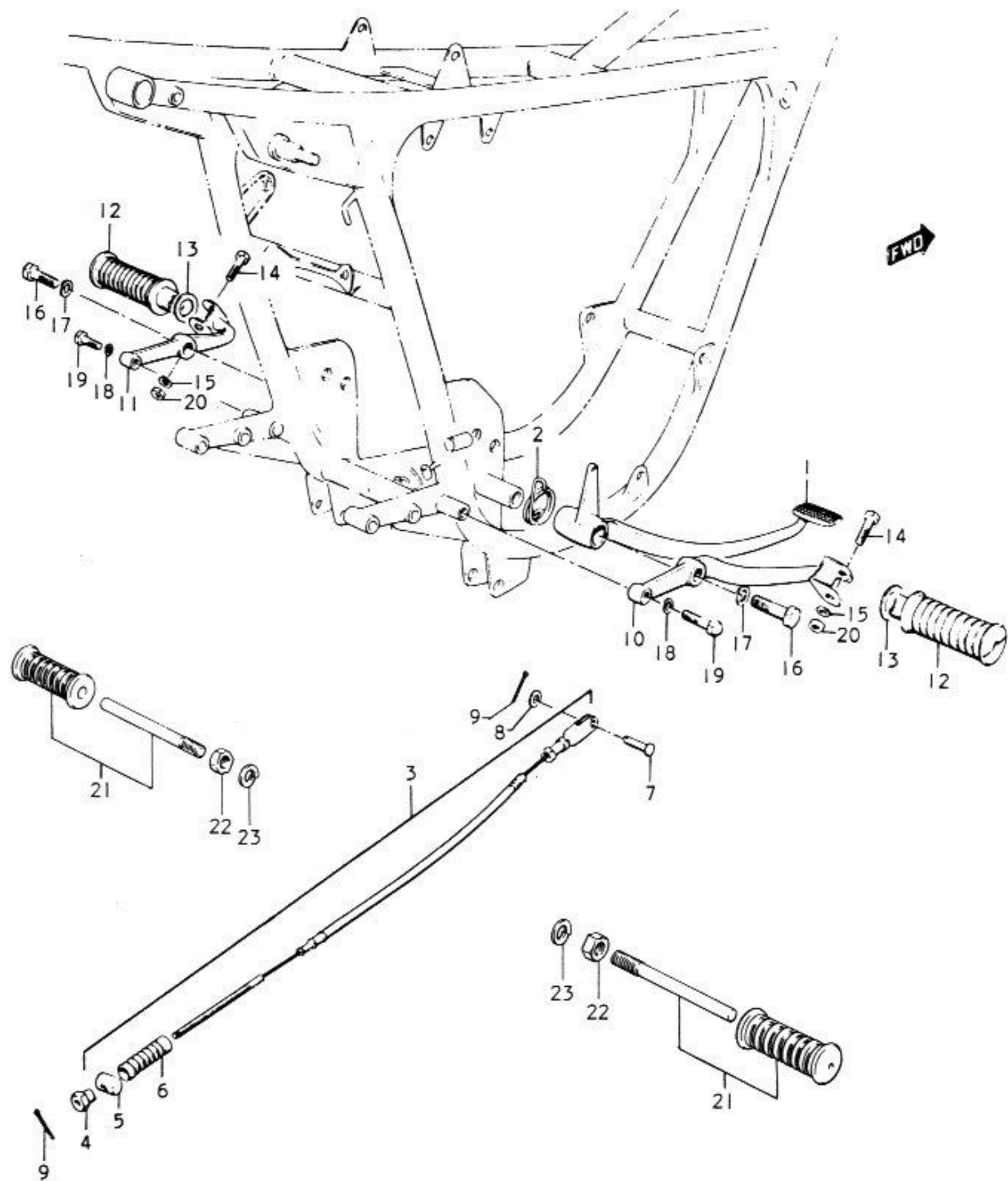


Ref.No.	Part No.	Description	Q'ty		Remarks
			A	B	
1	41100-15103-019	FRAME	1	1	
2	09800-00146	TOOL	1	1	
3	41550-15101	HOLDER, tool	1	1	
4-1	47211-15100-00U	COVER frame, LH	1	-	
4-2	47211-15100-01J	COVER frame, LH	1	-	
4-3	47211-15100-29I	COVER frame, LH	-	1	
5-1	47230-01001	KNOB, frame cover LH	1	-	to 47230-01002
5-2	47230-01002	KNOB, frame cover LH	-	1	
6	09152-06001	NUT	1	1	
7	68141-15610	EMBLEM	1	1	
8	09125-03104	SCREW	2	2	
9	08321-21038	LOCK WASHER	2	2	
10	08311-11038	NUT	2	2	
11	09329-02001	CUSHION	1	1	
12	68363-26200	EMBLEM, company name	1	1	

FIG.22 CENTER STAND

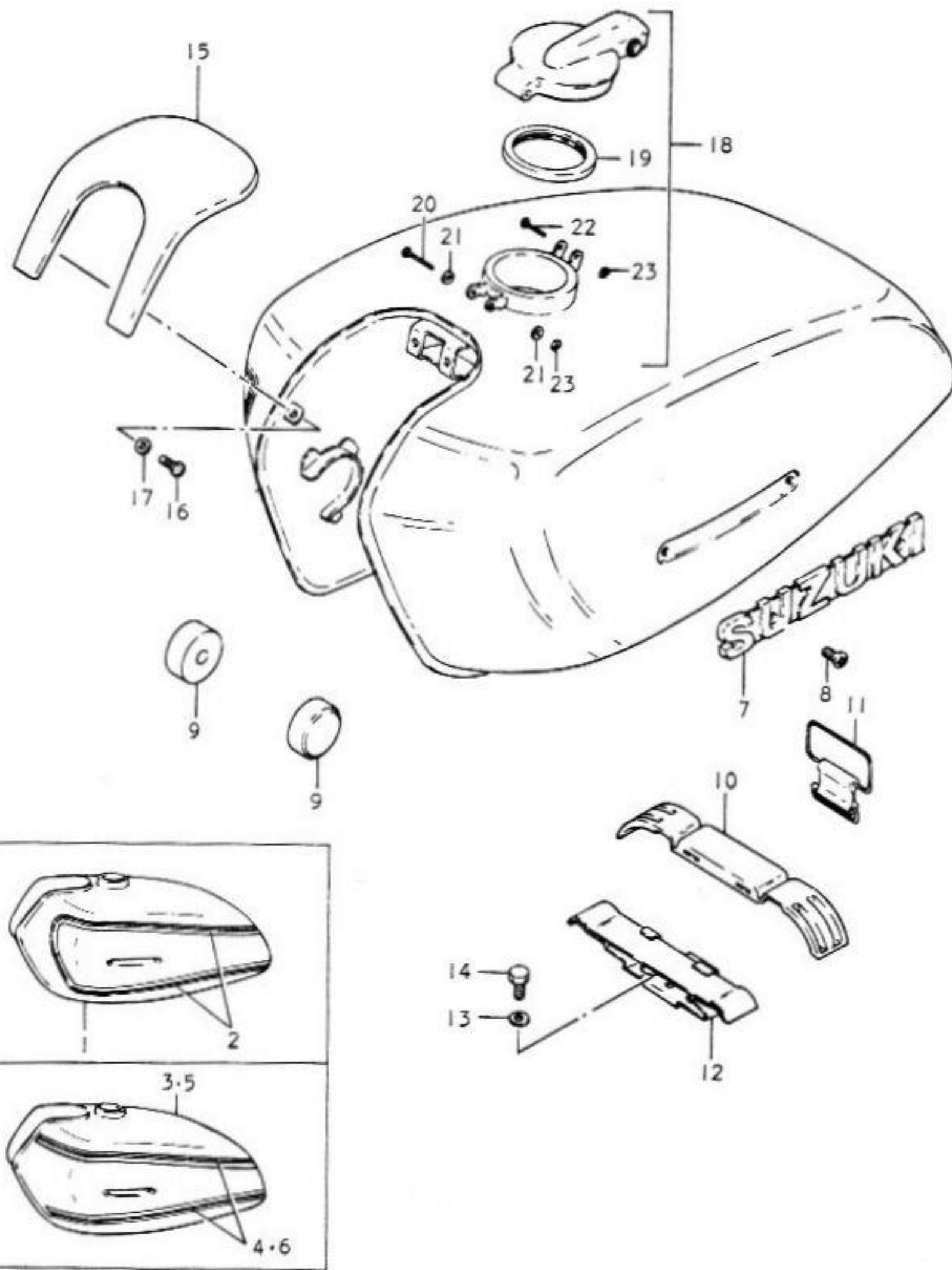
Ref.No.	Part No.	Description	Q'ty	
			A	B
1	42100-15000	STAND, center	1	1
2	09180-10001	SPACER	2	2
3	09100-10006	BOLT	2	2
4	09443-16005	SPRING	1	1
5	09321-10001	CUSHION	2	2
6	08312-12108	NUT	2	2
7	08321-21108	LOCK WASHER	2	2
8	42310-15100	STAND, prop	1	1
9	09443-14005	SPRING	1	1
10	09100-10007	BOLT	1	1
11	08312-32108	NUT	1	1
12	42330-15000	BRACKET	1	1
13	01111-10258	BOLT	2	2
14	08321-21108	LOCK WASHER	2	2





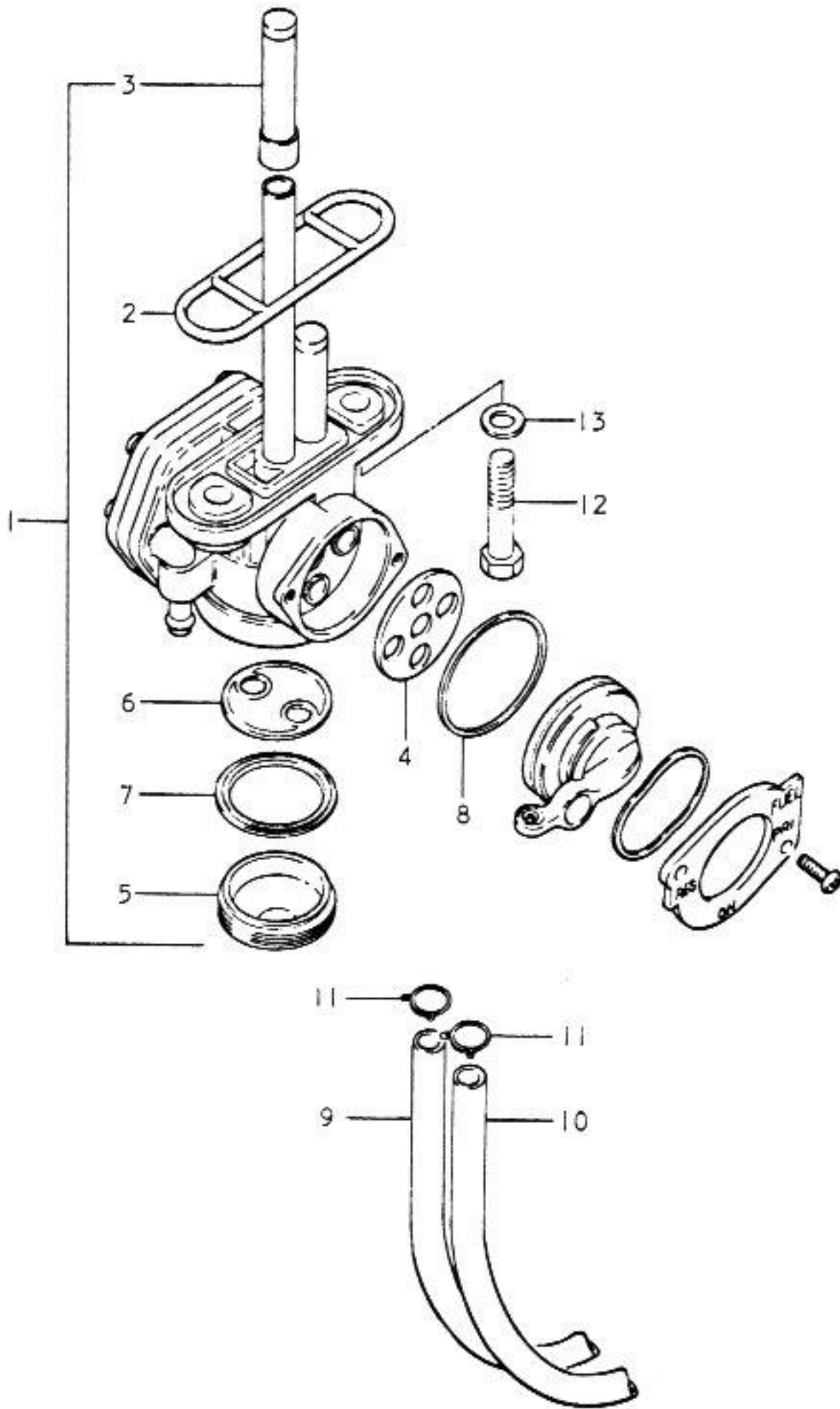
Ref.No.	Part No.	Description	Q'ty	
			A	B
1	43110-15000	PEDAL, brake	1	1
2	09448-39001	SPRING	1	1
3	58500-15001	CABLE ASSY, rear brake	1	1
4	09150-06001	·NUT	1	1
5	09209-13003	·PIN	1	1
6	09287-05001	·BOOT	1	-
7	09200-05001	PIN	1	1
8	08322-21068	WASHER	1	1
9	04111-20158	COTTER PIN	2	2
10	43510-15000	BAR, front footrest RH	1	1
11	43520-15000	BAR, front footrest LH	1	1
12	43550-16400	RUBBER, front footrest	2	2
13	09160-22002	WASHER	2	2
14	09111-06005	BOLT	2	2
15	08322-21068	WASHER	2	2
16	09100-12101	BOLT, front	2	2
17	08321-21128	LOCK WASHER, front	2	2
18	08321-21088	LOCK WASHER, rear	2	2
19	01122-08358	BOLT	2	2
20	08311-11068	NUT	2	2
21	43600-10808	PILLION FOOTREST SET	2	2
22	08312-12108	NUT	2	2
23	08321-21108	LOCK WASHER	2	2

FIG.24 FUEL TANK



Ref.No.	Part No.	Description	Q'ty	
			A	B
1-1	44110-15640-00U	TANK, fuel	1	-
1-2	44110-15640-01J	TANK, fuel	1	-
2	68100-15880-998	•TAPE SET	1	-
3	44110-15650-797	TANK, fuel	-	1
4	68100-15890-61P	•TAPE SET	-	1
5	44110-15650-00T	TANK, fuel	-	1
6	68100-15890-61R	•TAPE SET	-	1
7	68111-31610	EMBLEM	2	2
8	09127-03002	SCREW	4	4
9	09329-10007	CUSHION, front	2	2
10	44541-31600	CUSHION, rear	1	1
11	09462-00049	BAND	1	1
12	44550-15602	BRACKET	1	1
13	08322-11088	WASHER	1	1
14	01122-08168	BOLT	1	1
15	44270-15600	COVER, front	1	1
16	02111-05108	SCREW	4	4
17	08322-21058	WASHER	4	4
18	44200-33011	CAP ASSY, fuel filler	1	1
19	44248-33011	•GASKET	1	1
20	44239-33010	•PIN, front	1	1
21	44238-33010	•WASHER	2	2
22	44233-33010	•PIN	1	1
23	09383-02003	•E RING	2	2

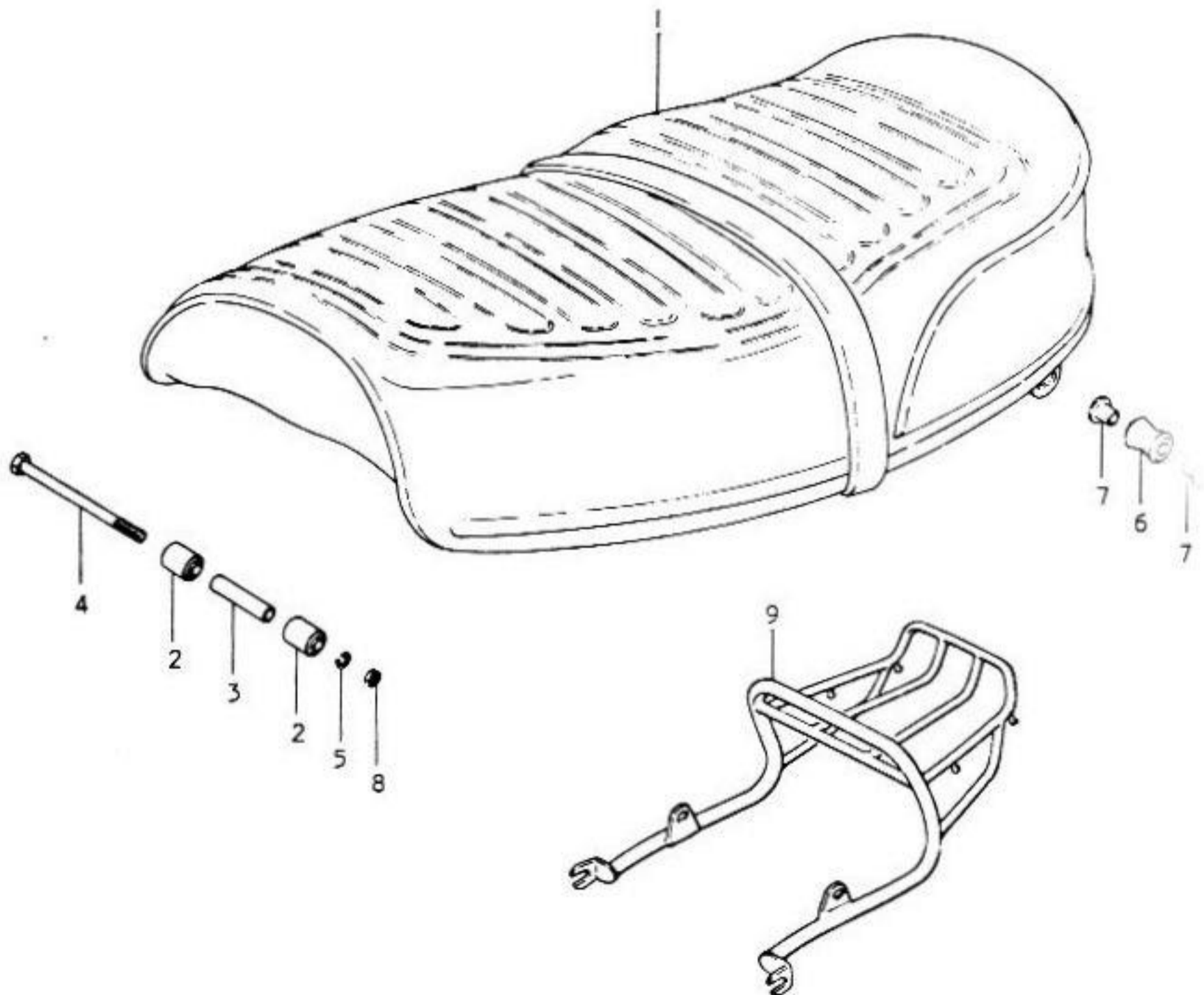
FIG. 25 FUEL COCK

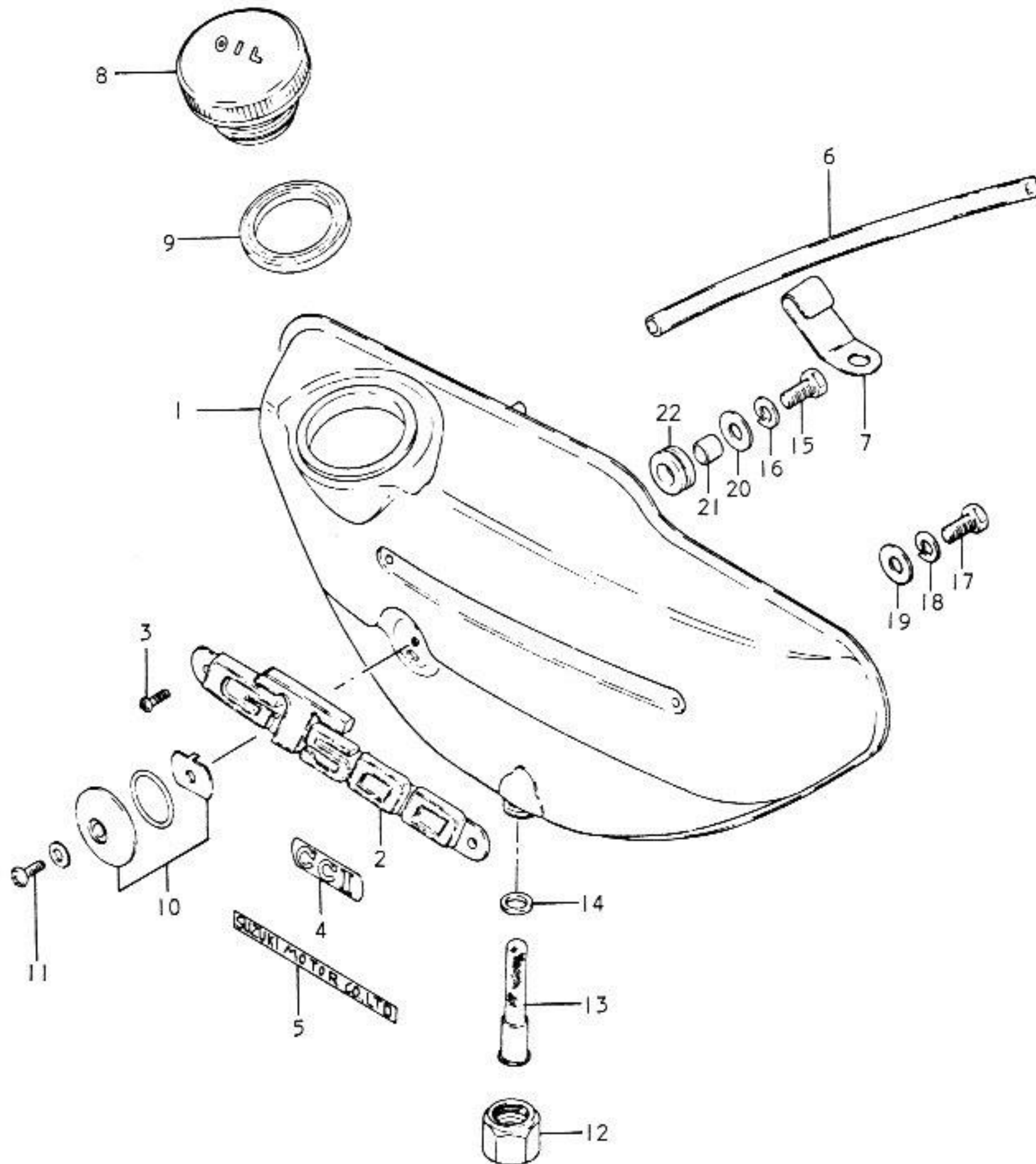


Ref.No.	Part No.	Description	Q'ty		Remarks
			A	B	
1-1	44300-15650	COCK ASSY, fuel	1	-	WHITE to 44300-15651
1-2	44300-15651	COCK ASSY, fuel	1	-	WHITE
1-3	44300-15600	COCK ASSY, fuel	-	1	BLACK
2	44348-31050	•O RING	1	1	
3	44322-31050	•FILTER	2	2	
4	44341-33150	•GASKET, lever	1	1	
5	44344-31050	•CUP	1	1	
6	44347-33150	•FILTER, cup	1	1	
7	44346-31050	•GASKET	1	1	
8	44353-33154	•V SEAL	1	1	for Ref.No. 1-2 & 1-3
9	09343-05031	HOSE, fuel RH	1	1	
10-1	09343-05018	HOSE, fuel LH	1	-	
10-2	09343-05135	HOSE, fuel LH	-	1	
11	09401-08401	CLIP	4	4	
12	09128-06006	BOLT	2	2	
13	09168-06010	GASKET	2	2	

FIG.26 SEAT

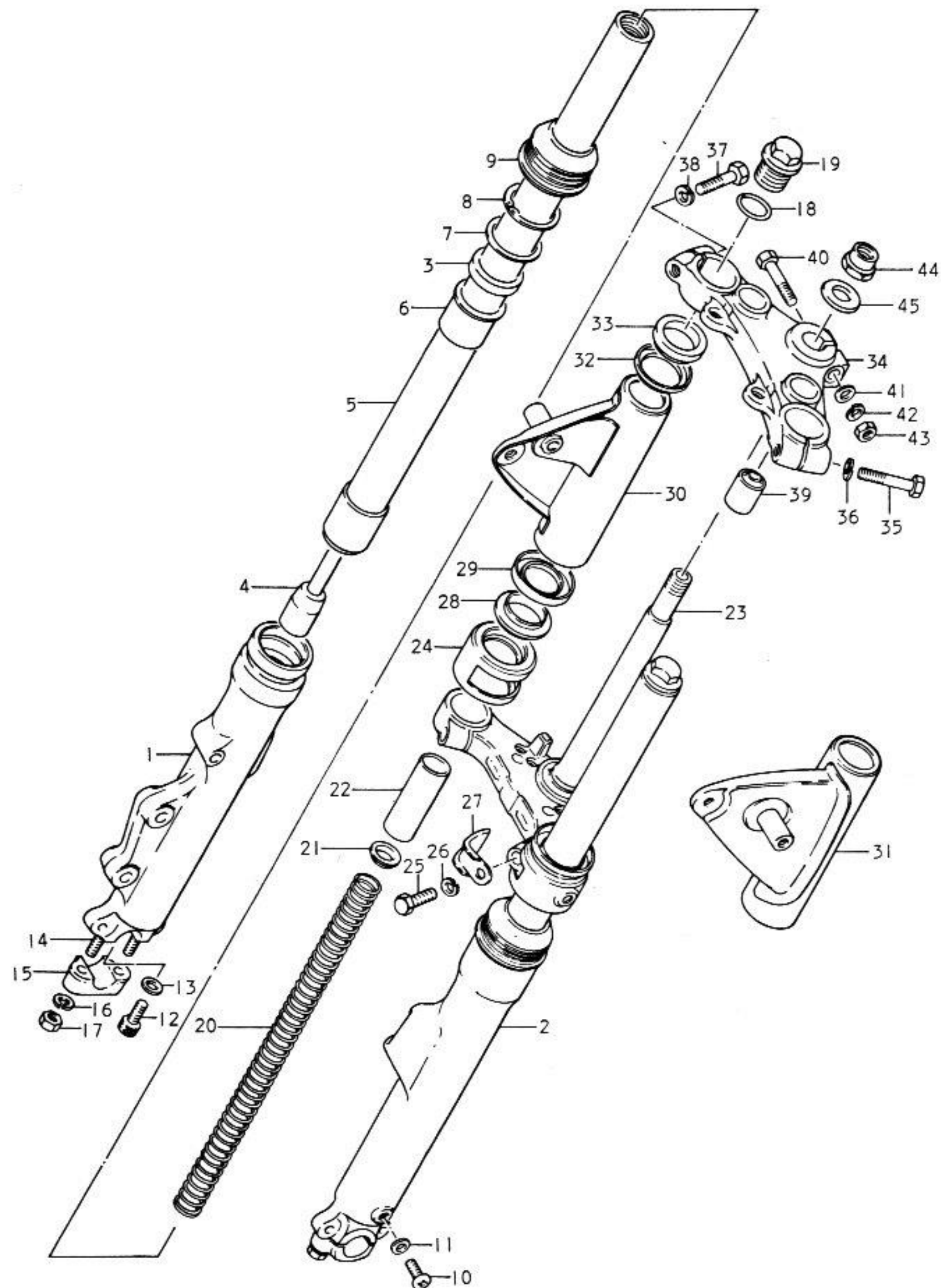
Ref.No.	Part No.	Description	Q'ty		Remarks
			A	B	
1-1	45100-15600-403	SEAT	1	-	
1-2	45100-15600-865	SEAT	-	1	from 45100-15600-403
2	09319-08002	BUSHING	2	2	
3	09180-08023	SPACER	1	1	
4	09100-08029	BOLT	1	1	to 09100-08030
5	08321-21088	LOCK WASHER	1	1	
6	09305-12008	BUSHING (1)	2	2	
7	09301-08001	BUSHING (2)	4	4	
8	08312-11088	NUT	1	1	
9	46310-15101	CARRER	-	1	OPT





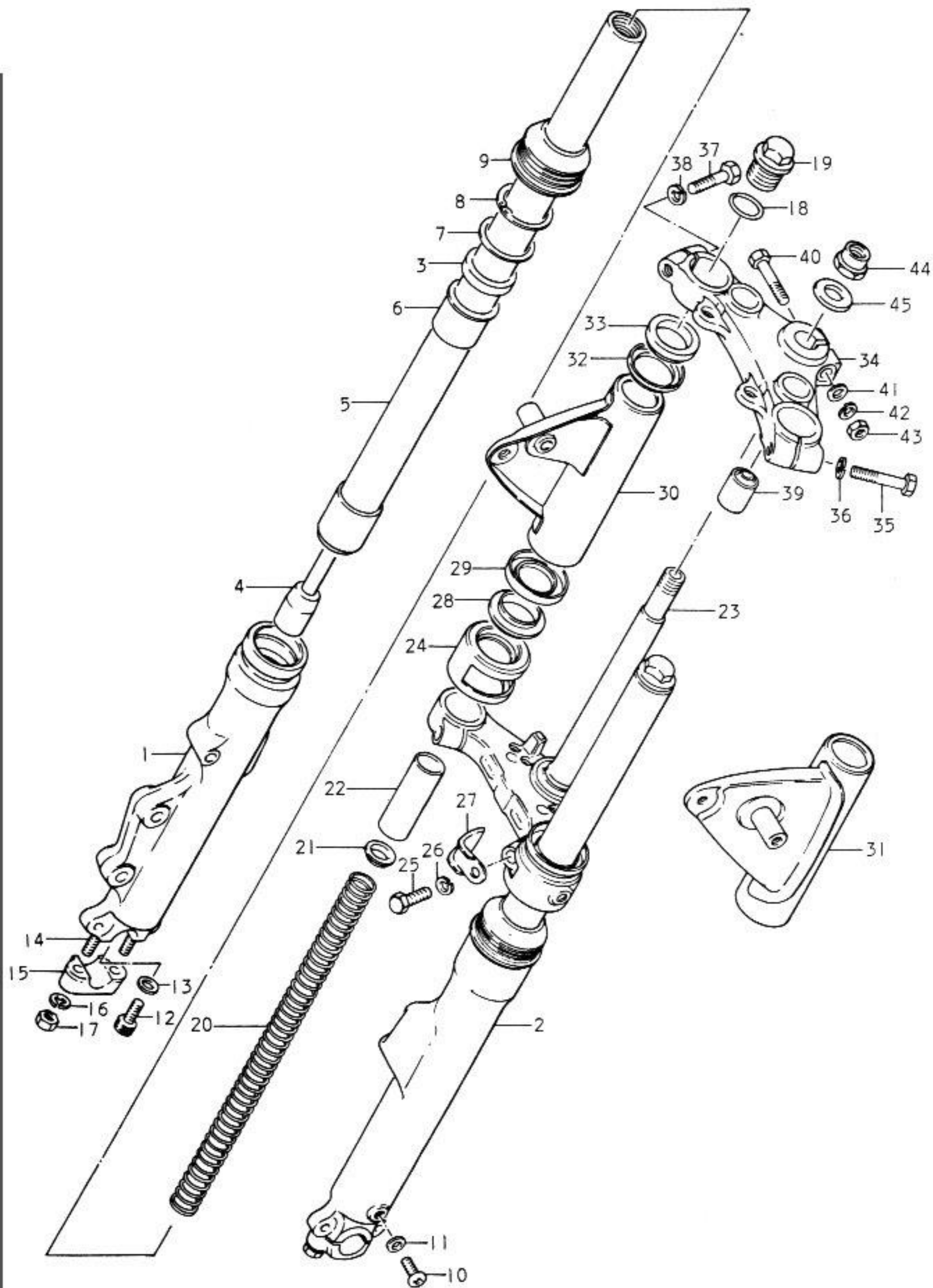
Ref.No.	Part No.	Description	Q'ty	
			A	B
1-1	44610-15101-00U	TANK, oil	1	-
1-2	44610-15101-01J	TANK, oil	1	-
1-3	44610-15101-29I	TANK, oil	-	1
2	68141-15610	EMBLEM	1	1
3	09125-03007	SCREW	2	2
4	68171-26000	EMBLEM, CCI	1	1
5	68363-26200	LABEL, company name	1	1
6	09344-05005	HOSE, breather	1	1
7	09403-08301	CLAMP	1	1
8	44651-11040	CAP, oil filler	1	1
9	44661-11000	GASKET	1	1
0	44640-11843	OIL LEVEL INSPECTION SET	1	1
1	02112-05168	SCREW	1	1
2	09361-14001	UNION, oil outlet	1	1
3	44720-11030	FILTER, oil	1	1
4	44733-11030	GASKET	1	1
5	01112-06168	BOLT	3	2
6	08321-21068	LOCK WASHER	3	-
7	01131-06128	BOLT	-	1
18	08321-21068	LOCK WASHER	-	1
19	08322-21068	WASHER	-	1
20	09160-06027	WASHER	2	2
21	09180-06038	SPACER	2	2
22	09320-08007	CUSHION	2	2

FIG.28 FRONT FORK



Ref.No.	Part No.	Description	Q'ty	
			A	B
	51100-15210-019	FORK ASSY, front	1	-
	51100-15211-291	FORK ASSY, front	-	1
1	51131-34710	•OUTER TUBE, RH	1	1
2	51131-34010	•OUTER TUBE, LH	1	1
3	51153-34010	•OIL SEAL	2	2
4	51146-34010	•PIECE, oil lock	2	2
5	51110-15210	•INNER TUBE	2	2
6	51152-34010	•GUIDE, inner tube	2	2
7	51158-34010	•WASHER	2	2
8	51156-34010	•CIRCLIP	2	2
9	51557-34110	•COVER, dust	2	2
10	02111-04087	•PLUG, oil drain	2	2
11	51183-03010	•GASKET	2	2
12	51147-31010	•BOLT, oil lock piece	2	2
13	51148-34010	•GASKET	2	2
14	01421-08308	•STUD BOLT, axle holder	4	4
15	51132-31010	•HOLDER, axle	2	2
16	08321-21088	•LOCK WASHER	4	4
17	09140-08005	•NUT	4	4
18	51181-18510	•O RING	2	2
19	51351-31010	•CAP, inner tube	2	2
20	51171-34110	•SPRING	2	2
21	51172-34110	•GUIDE, spring	2	2
22	51176-15210	•SPACER, spring	2	2
23	51410-15210	•STEERING STEM	1	1

FIG.28 FRONT FORK



Ref.No.	Part No.	Description	Q'ty	
			A	B
24	51575-37010	•COVER, steering stem	2	2
25	01122-10408	•BOLT	2	2
26	08321-21108	•LOCK WASHER	2	2
27	34991-18110	•CLIP, cable	1	1
28	51553-31010	•CUSHION, cover guide	2	2
29	51551-31010	•GUIDE, cover lower	2	2
30-1	51530-33110	•COVER, fork RH	1	-
30-2	51530-33611-291	•COVER, fork RH	-	1
31-1	51540-33110	•COVER, fork LH	1	-
31-2	51540-33611-291	•COVER, fork LH	-	1
32	51555-31010	•GUIDE, cover upper	2	2
33	51556-31010	•CUSHION, cover guide	2	2
34	51311-15210-019	•STEERING STEM HEAD	1	1
35	01121-10407	•BOLT, LH	1	1
36	08321-21108	•LOCK WASHER	1	1
37	51451-34710	•BOLT, RH	1	1
38	08321-21108	•LOCK WASHER	1	1
39	09319-10009	•BUSHING	2	2
40	01122-08508	•BOLT, center	1	1
41	08322-21088	•WASHER	1	1
42	08321-21088	•LOCK WASHER	1	1
43	08312-11088	•NUT	1	1
44	51353-31710	•NUT	1	1
45	51356-11010	•WASHER	1	1

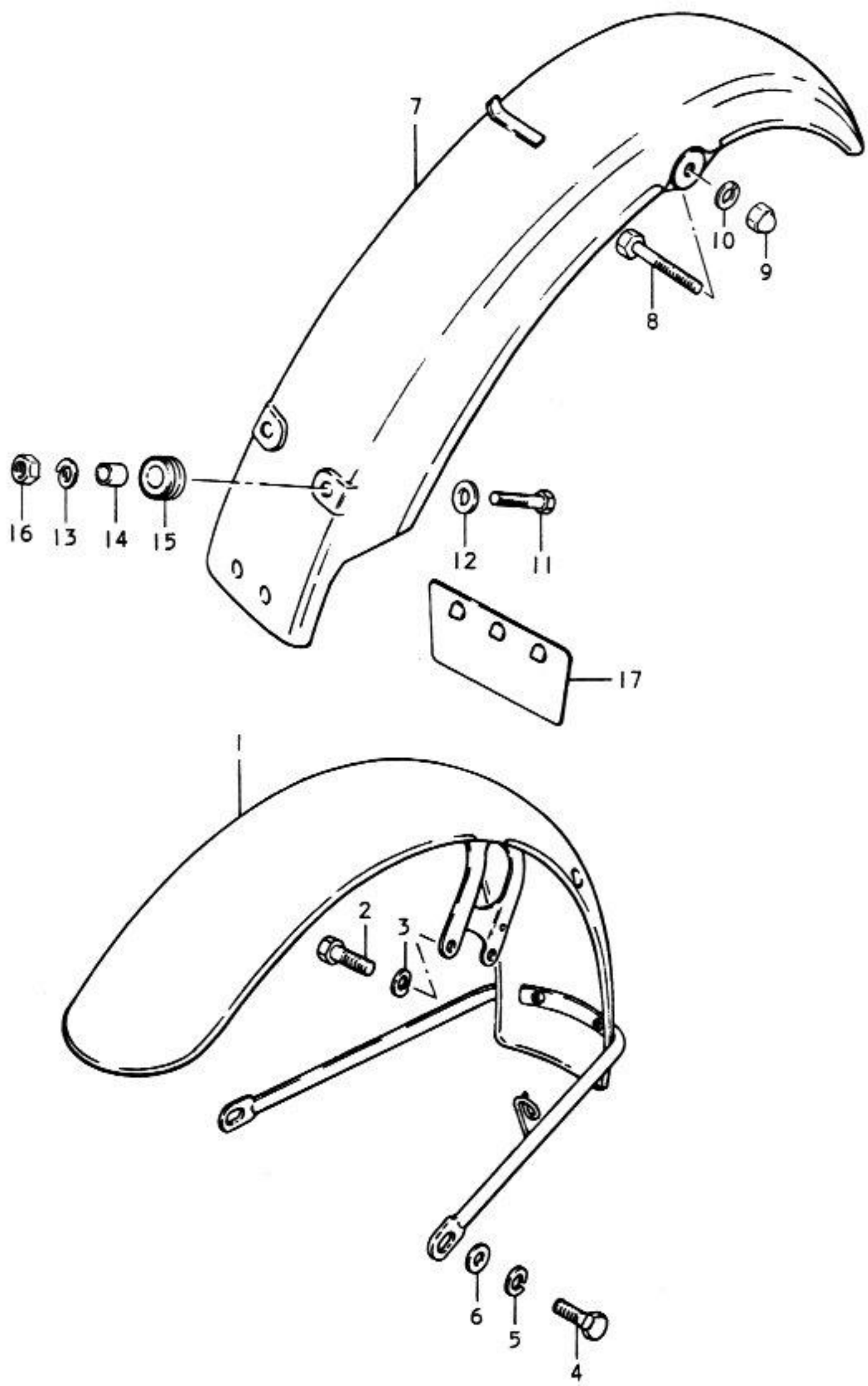
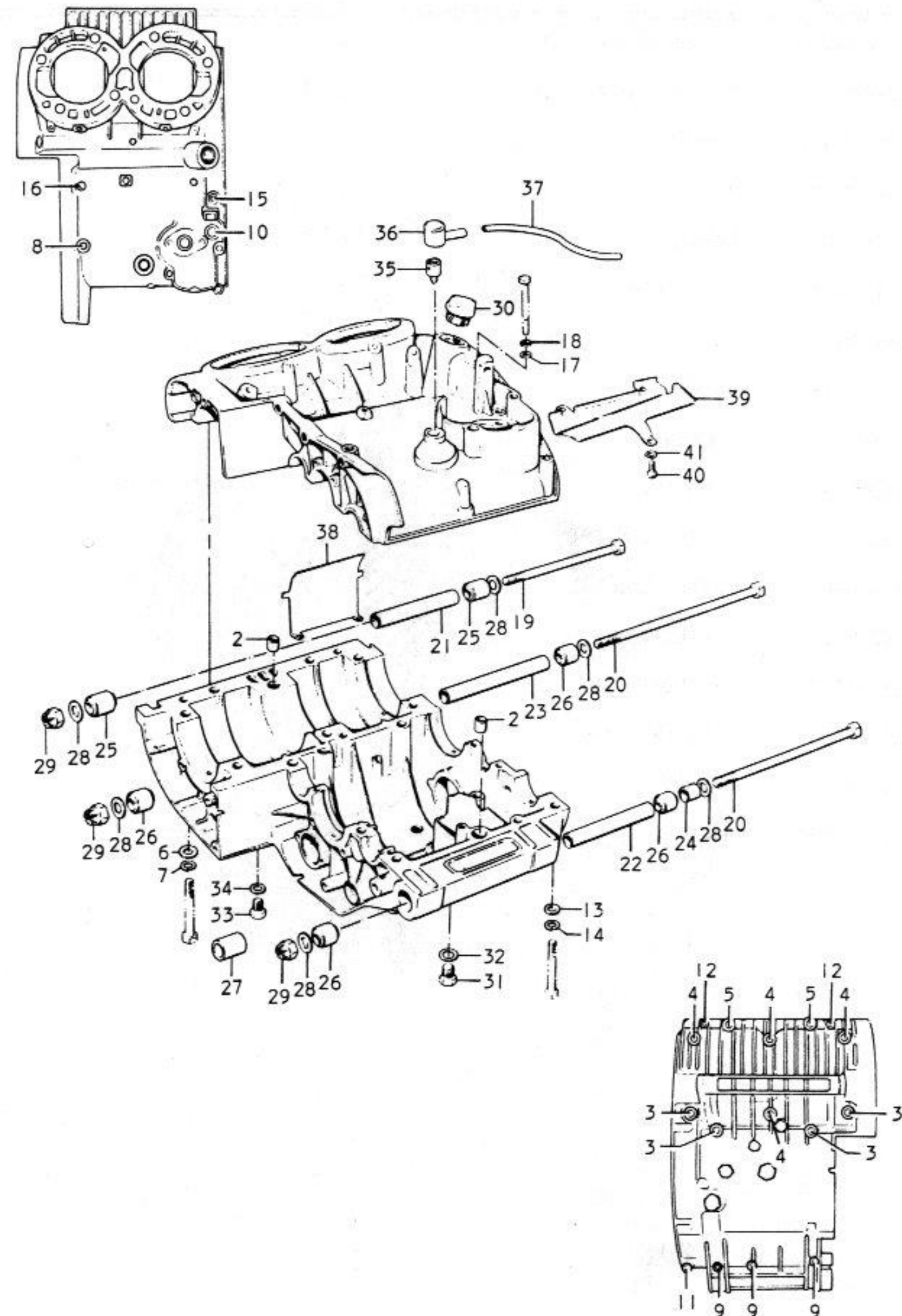


FIG. 29 FENDER

Ref.No.	Part No.	Description	Q'ty	
			A	B
1	53100-31703	FENDER, front	1	1
2	01122-08168	BOLT	4	4
3	08321-21088	LOCK WASHER	4	4
4	01112-06168	BOLT	2	2
5	08321-21068	LOCK WASHER	2	2
6	08322-21068	WASHER	2	2
7-1	63110-15100	FENDER, rear	1	-
7-2	63110-15630	FENDER, rear	-	1
8	09100-08002	BOLT	2	2
9	08313-11087	NUT	2	2
10	08321-21088	LOCK WASHER	2	2
11	01112-06208	BOLT	2	2
12	09160-06004	WASHER	2	2
13	08321-21088	LOCK WASHER	2	2
14	09180-06002	SPACER	2	2
15	09320-09002	CUSHION	2	2
16	08311-11068	NUT	2	2
17	63411-15101	MUD GUARD	1	1

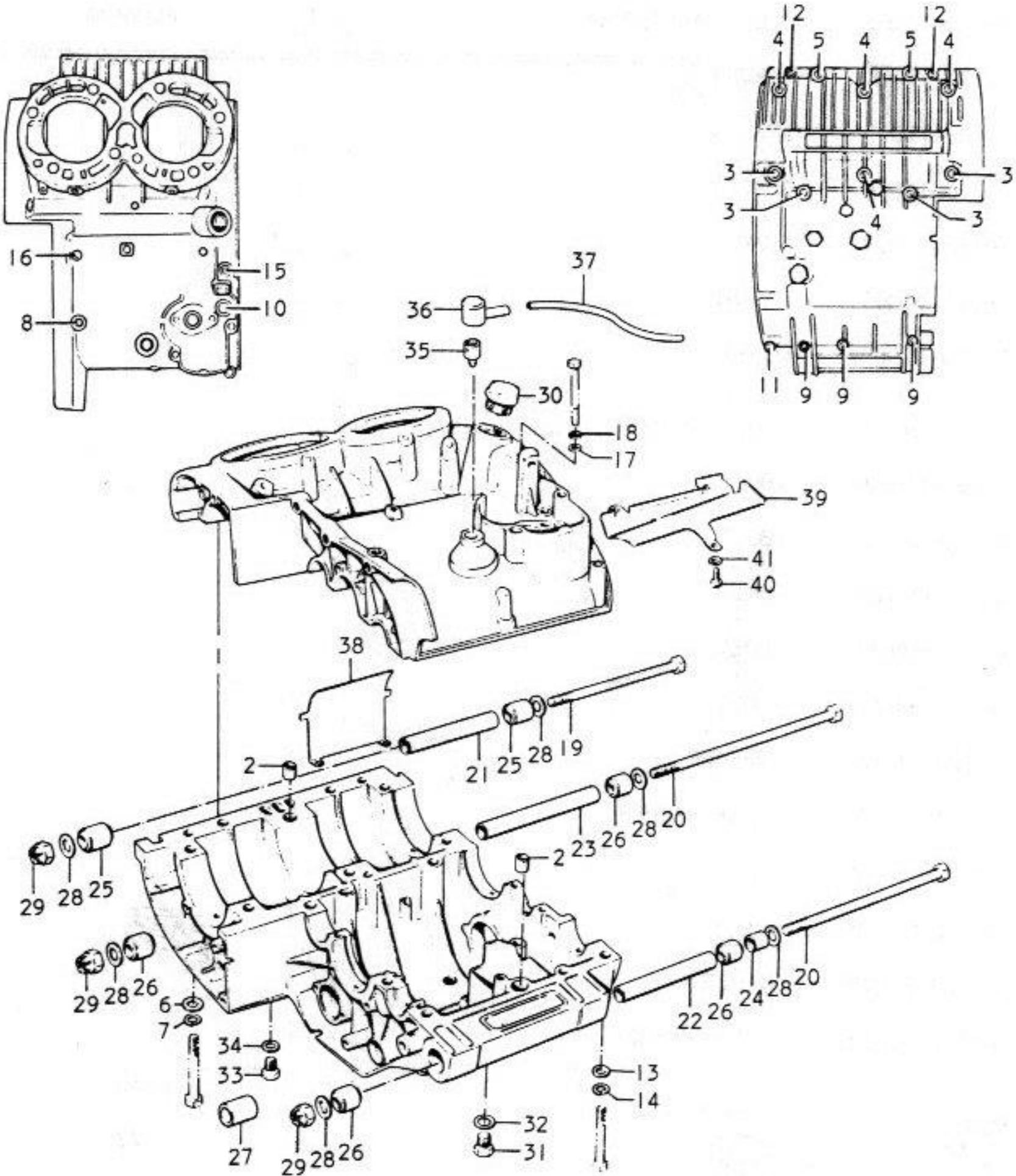
CRANKCASE

FIG.2 CRANKCASE

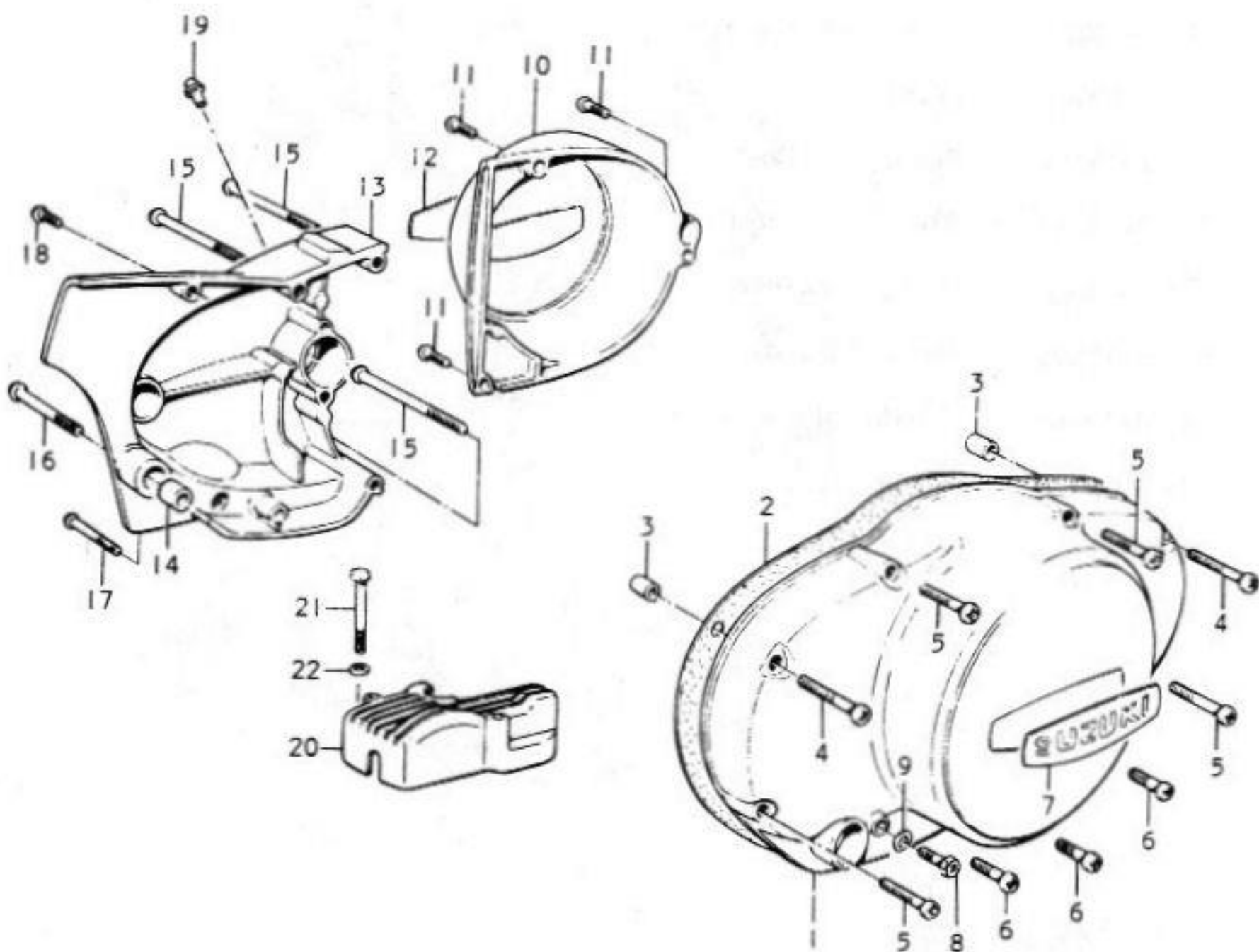


Ref.No.	Part No.	Description	Q'ty		Remarks
			A	B	
1	11300-15840	CRANKCASE SET	1	1	
2	09206-13001	•PIN	2	2	
3	09100-10035	•BOLT	4	4	
4	01122-10808	•BOLT	4	4	
5	01122-10658	•BOLT	2	2	
6	08322-11108	•WASHER	10	10	
7	08321-21108	•LOCK WASHER	10	10	
8	01122-08908	•BOLT	1	1	
9	01122-08758	•BOLT	3	3	
10	01122-08708	•BOLT	1	1	
11	01122-08658	•BOLT	1	1	
12	01122-08608	•BOLT	2	2	
13	08322-11088	•WASHER	8	8	
14	08321-21088	•LOCK WASHER	8	8	
15	01112-06958	•BOLT	1	1	
16	01112-06708	•BOLT	1	1	
17	08322-21068	•WASHER	2	2	
18	08321-21068	•LOCK WASHER	2	2	
19	09104-12104	BOLT	1	1	12x180
20	09104-12105	BOLT	2	2	12x222
21	09180-12024	SPACER	1	1	
22	09180-12025	SPACER	1	1	
23	09180-12026	SPACER	1	1	
24	09180-12027	SPACER	1	1	
25	09319-12005	BUSHING	2	2	
26	09319-12006	BUSHING	4	4	

FIG.2 CRANKCASE



Ref.No.	Part No.	Description	Q'ty	
			A	B
27	09320-18001	CUSHION	1	1
28	08322-11128	WASHER	6	6
29	09159-12102	NUT	3	3
30	09259-19001	PLUG, oil filler	1	1
31	09247-12102	PLUG, oil drain	1	1
32	09168-12003	GASKET	1	1
33	09247-10001	PLUG, crank drain	1	1
34	09168-10002	GASKET	1	1
35	24821-09000	PLUG, breather	1	1
36	24822-20000	CAP, breather plug	1	1
37	09344-03020	HOSE, breather	1	1
38	24829-15000	DEFLECTOR, oil	1	1
39	24881-15000	PLATE, oil guide	1	1
40	02112-06128	SCREW	3	3
41	08321-21068	LOCK WASHER	3	3



Ref.No.	Part No.	Description	Q'ty	
			A	B
1	11341-15601	COVER, clutch	1	1
2	11482-15000	GASKET	1	1
3	04211-09129	PIN	2	2
4	02112-06458	SCREW	2	2
5	02112-06408	SCREW	4	4
6	02112-06258	SCREW	3	3
7	68233-33000	EMBLEM	1	1
8	09128-06004	PLUG, oil level	1	1
9	09168-06001	GASKET	1	1
10	11351-15601	COVER, magneto	1	1
11	02112-06208	SCREW	3	3
12	68233-34000	EMBLEM	1	1
13	11361-15601	COVER, engine sprocket	1	1
14	04211-09129	PIN	1	1
15	02112-06758	SCREW	3	3
16	02112-06458	SCREW	1	1
17	02112-06358	SCREW	1	1
18	02112-06307	SCREW	1	1
19	08351-11009	NIPPLE, grease	1	1
20	11411-15001	COVER, oil pump	1	1
21	01112-06358	BOLT	2	2
22	08322-21068	WASHER	2	2

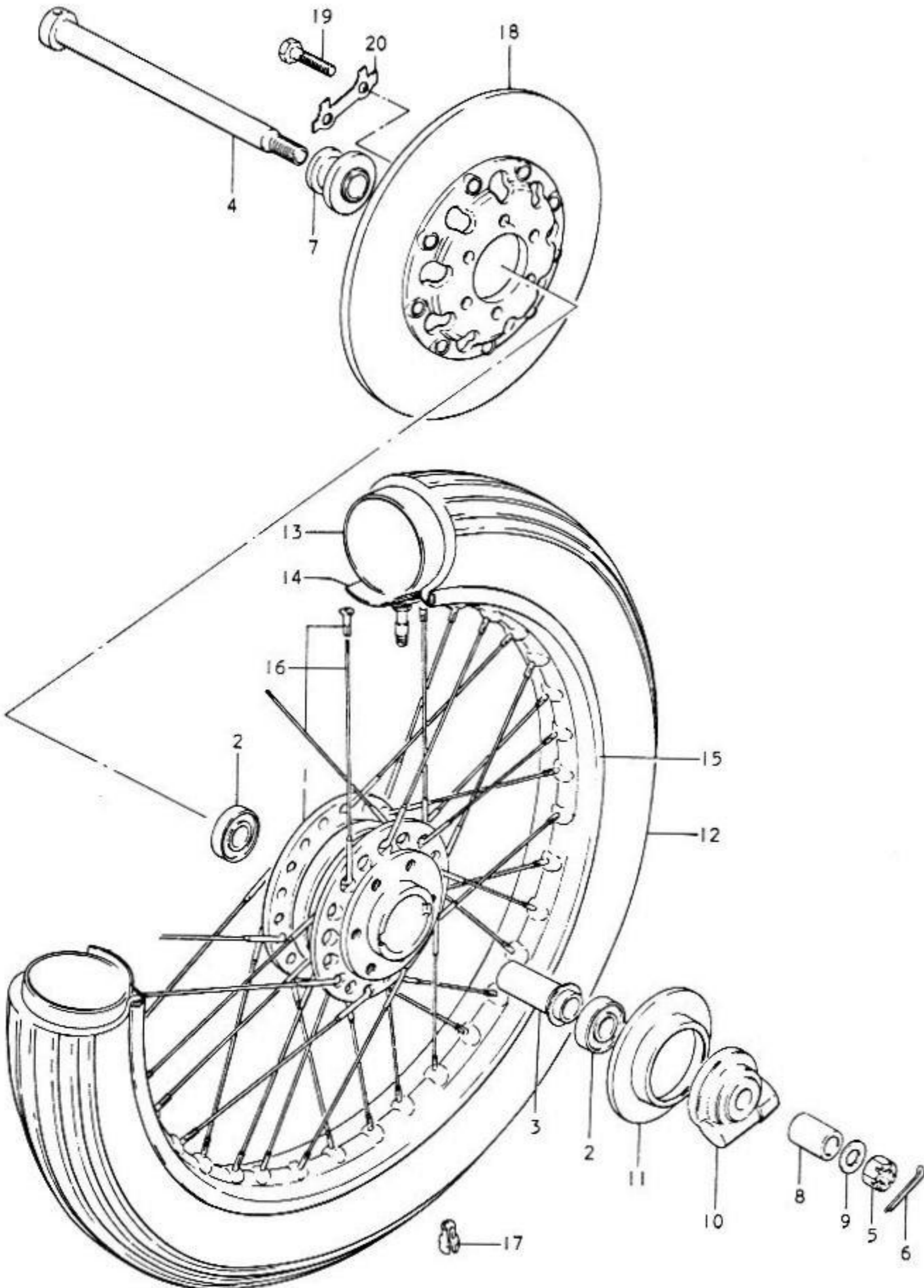
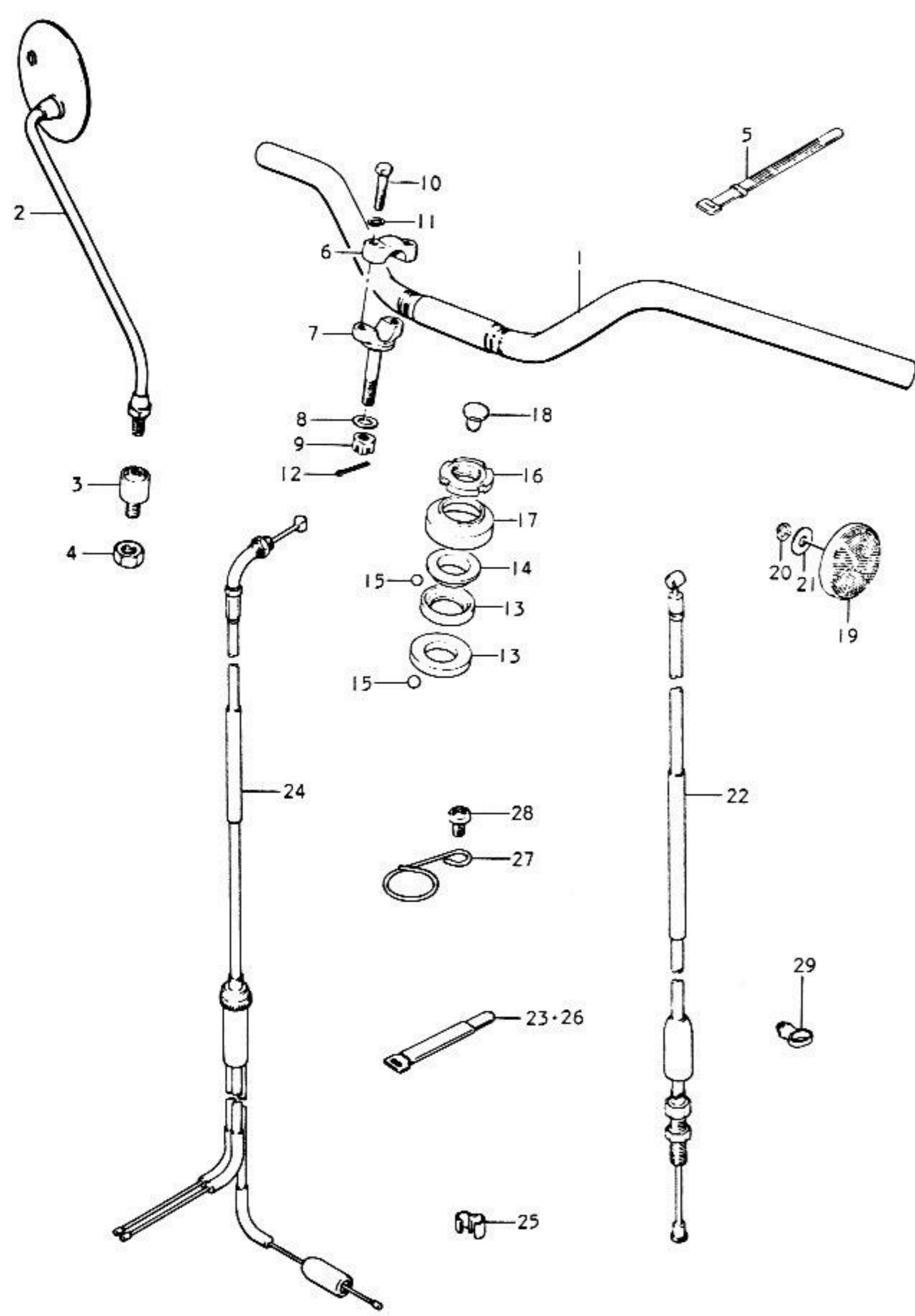


FIG.30 FRONT WHEEL

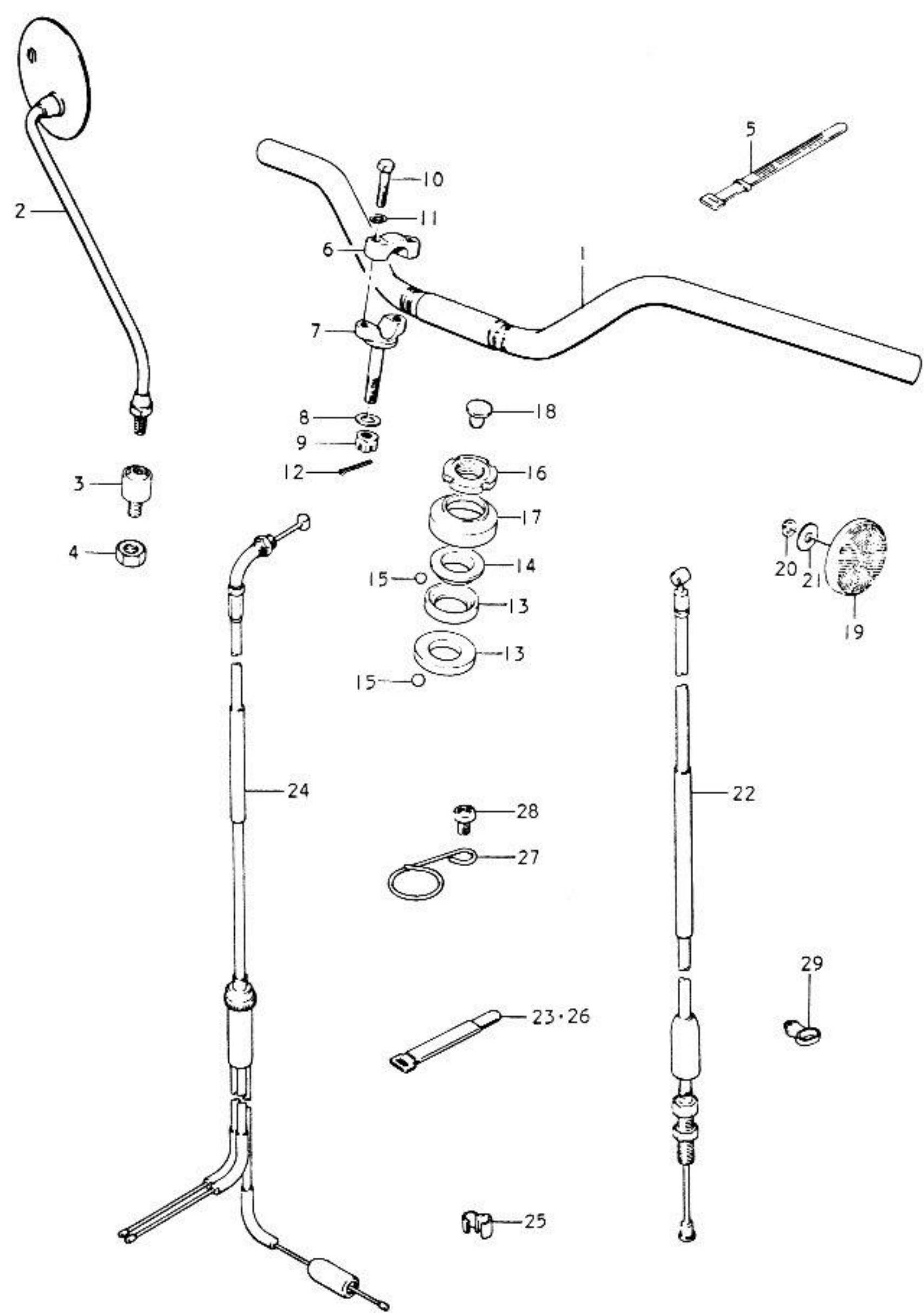
ef.No.	Part No.	Description	Q'ty		Remarks
			A	B	
1	54100-18831	HUB	1	1	
2	08123-63020	•BEARING	2	2	
3	54730-18400	•SPACER	1	1	
4	54711-33002	AXLE, front	1	1	
5	08314-31128	NUT	1	1	
6	04111-30308	COTTER PIN	1	1	
7	54740-18401	SPACER, RH	1	1	
8	09180-15034	SPACER	2	2	
9	08322-21128	WASHER	1	1	
0	54600-18401	BOX, speedometer gear	1	1	
1	54871-18400	DUST SEAL	1	1	
2	55100-15620	TIRE	1	1	325 S19
3	55200-15010	TUBE, inner	1	1	325 S19
4	55261-15010	PROTECTOR	1	1	325 S19
5	55311-34020	RIM	1	1	185x19
16	55320-34805	SPOKE SET	1	1	
17-1	55411-11000	BRANCER, S	(0~3)		
17-2	55412-11000	BRANCER, L	(0~3)		
18	59210-37001	DISK, front brake	1	1	
19	09100-08094	BOLT	6	6	
20	09169-08016	WASHER	3	3	

FIG.31 HANDLEBAR - CONTROL CABLE

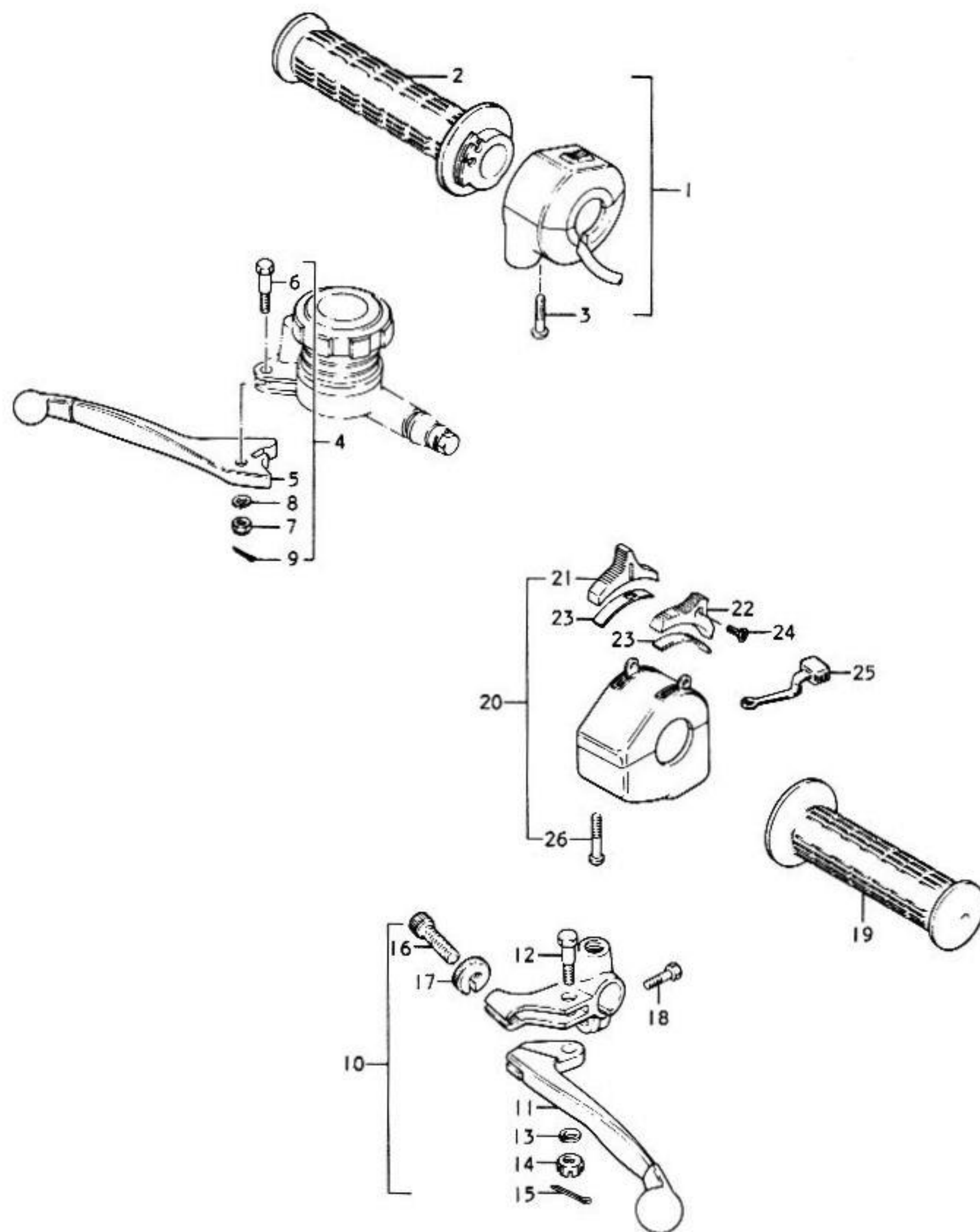


Ref.No.	Part No.	Description	Q'ty		Remarks
			A	B	
1	56111-15103	HANDLEBAR	1	1	
2-1	56500-31011	MIRROR, rear view RH	1	1	
2-2	56600-31011	MIRROR, rear view LH	1	1	
3	56700-31001	CUSHION	2	2	from 56700-31000
4	08312-32108	NUT	2	-	
5	09407-12402	BAND, harness	2	2	
6	56211-33000	CLAMP, handlebar upper	2	2	
7	56221-33000	CLAMP, handlebar lower	2	2	
8	09160-10035	WASHER	2	2	
9	08314-11108	NUT	2	2	
10	01221-08307	BOLT	4	4	
11	08321-21088	LOCK WASHER	4	4	
12	04111-20308	COTTER PIN	2	2	
13	51611-33002	INNER RACE, steering	2	2	
14	51621-30001	OUTER RACE, steering	1	1	
15	06111-08003	BALL, steering	36	36	
16	51631-28000	NUT, steering stem	1	1	
17	51643-30000	DUST SEAL, steering upper	1	1	
18	09250-08005	CAP, steering	1	1	

FIG. 31 HANDLEBAR - CONTROL CABLE

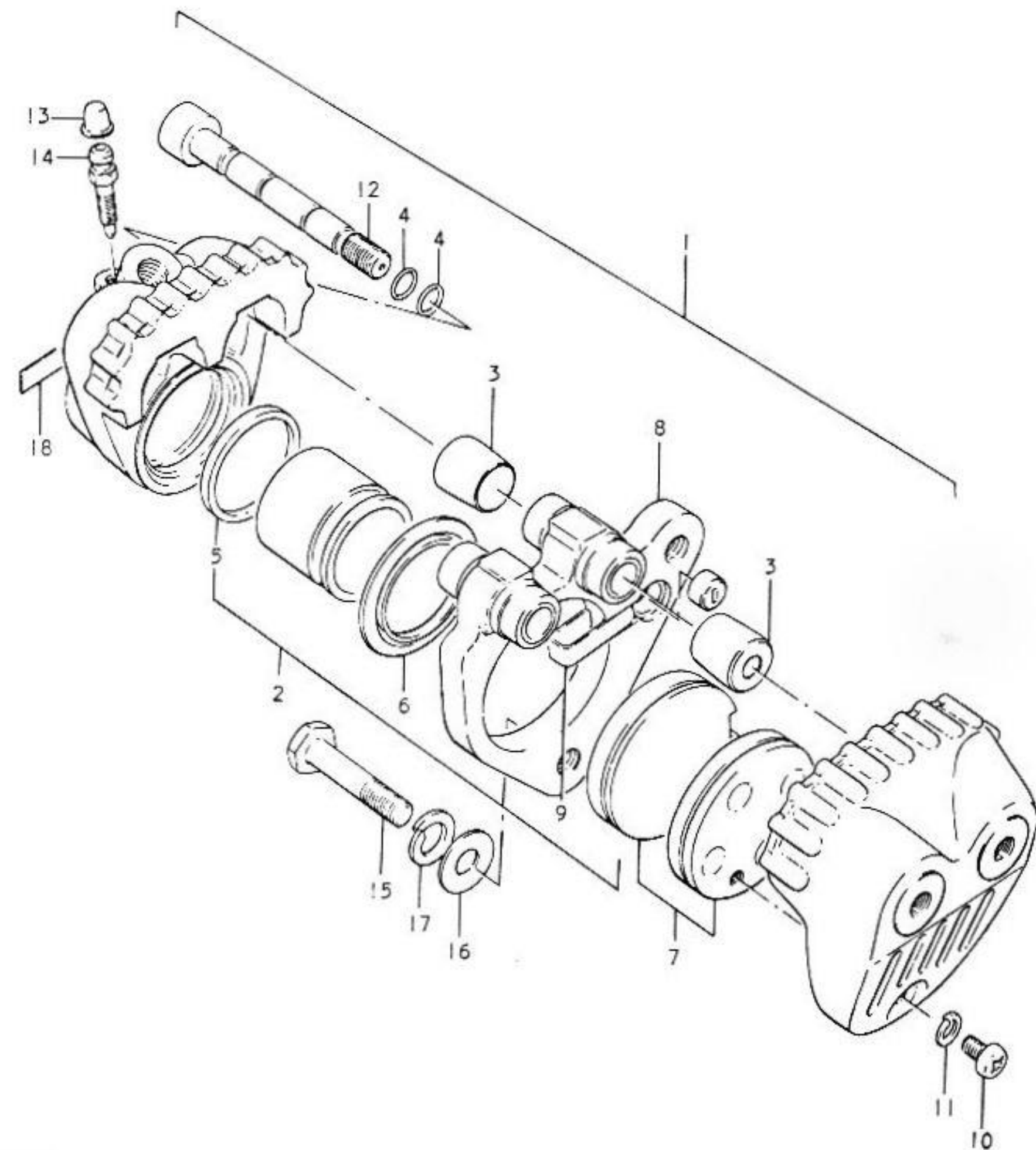


Ref.No.	Part No.	Description	Q'ty	
			A	B
19-1	35950-31010	REFLEX REFLECTOR, front	2	-
19-2	35950-45010	REFLEX REFLECTOR, front	-	2
20	08321-21058	LOCK WASHER	2	2
21	08322-21058	WASHER	2	2
22	58200-15100	CABLE, clutch	1	1
23	09407-18301	CLAMP	1	1
24	58300-15102	CABLE, throttle	1	1
25	09408-00002	CLIP	1	1
26	09407-18301	CLAMP	1	1
27	51455-31000	CLAMP	1	1
28	02111-06087	SCREW	1	1
29	58621-21202	GUIDE, cable	1	1



Ref.No.	Part No.	Description	Q'ty	
			A	B
1	57100-15610	GRIP ASSY, throttle	1	1
2	57110-33012	-GRIP, throttle	1	1
3	02111-05257	-SCREW	2	2
4	57300-18621	LEVER ASSY, brake	1	1
5	57420-18620	-LEVER, brake	1	1
6	57431-18620	-BOLT	1	1
7	57433-11010	-NUT	1	1
8	08321-21068	-LOCK WASHER	1	1
9	04111-16158	-COTTER PIN	1	1
10	57500-18601	LEVER ASSY, clutch	1	1
11	57620-11011	-LEVER, brake	1	1
12	57431-11010	-BOLT	1	1
13	08321-21068	-LOCK WASHER	1	1
14	57433-11010	-NUT	1	1
15	04111-16158	-COTTER PIN	1	1
16	57441-11010	-ADJUSTER, cable	1	1
17	57442-11010	-NUT	1	1
18	01112-06208	-BOLT	1	1
19	57211-15110	GRIP, LH	1	1
20	57700-18654	SWITCH ASSY, handle LH	1	1
21	57712-33011	-KNOB, lighting switch	1	1
22	57713-33010	-KNOB, dimmer switch	1	1
23	57714-33010	-SPRING	2	2
24	03121-03088	-SCREW	2	2
25	57650-33013	-KNOB, turn signal lamp switch	1	1
26	09125-05105	-SCREW	2	2

FIG.33 CALIPERS



Ref.No.	Part No.	Description	Q'ty	
			A	B
1	59100-33111	CALIPERS ASSY	1	1
2	59100-18831	•PISTON & PAD SET	1	1
3	59112-18410	••DUST SEAL	4	4
4	59111-18410	••O RING	4	4
5	59107-18410	••SEAL	1	1
6	59108-18410	••BOOT	1	1
7	59100-18840	••PAD SET	1	1
8	59150-18411	•HOLDER, calipers	1	1
9	59153-18410	•STOPPER, holder	1	1
10	02112-06128	•SCREW	1	1
11	08321-21068	•LOCK WASHER	1	1
12	59105-18411	•AXLE	2	2
13	59122-18410	•CAP, bleeder	1	1
14	59121-18410	•BLEEDER	1	1
15	09104-10007	BOLT	2	2
16	08322-21108	WASHER	2	2
17	08321-21108	LOCK WASHER	2	2
18	68334-18400	EMBLEM	1	1

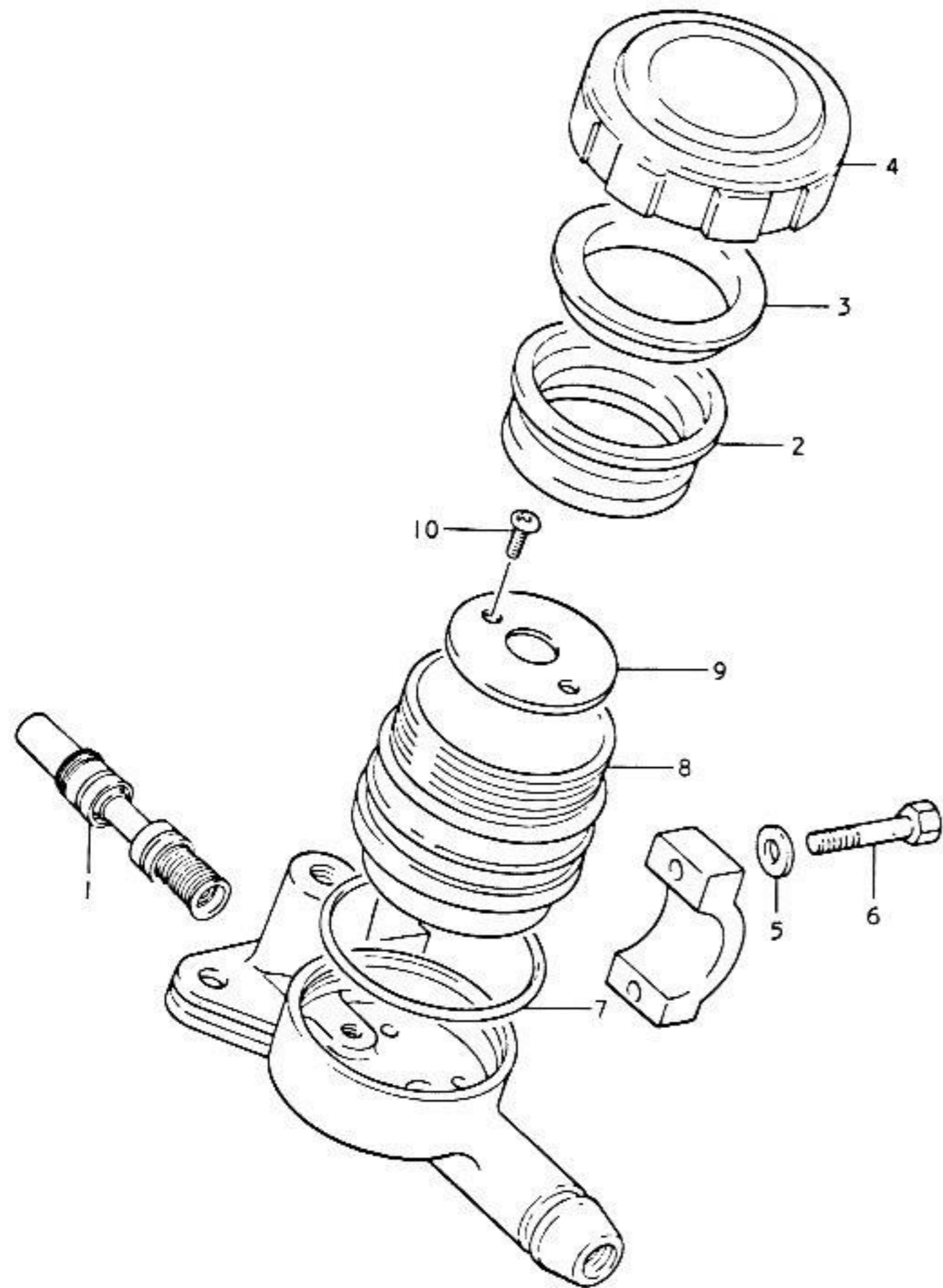


FIG.34 MASTER CYLINDER

Ref.No.	Part No.	Description	Q'ty		Remarks
			A	B	
	59600-33603	CYLINDER ASSY, master	1	1	NISSIN
1	59600-18824	•PISTON & CUP SET	1	1	
2	59667-18440	•DIAPHRAGM	1	1	
3	59668-18441	•PLATE	1	1	
4	59669-18604	•CAP	1	1	
5	08322-21068	•WASHER	2	2	
6	01112-06258	•BOLT	2	2	
7	59686-33600	•O RING	1	1	
8	59687-33603	•RESERVOIR	1	1	
9	59685-33600	•PLATE	1	1	
10	09125-03105	•SCREW	2	2	

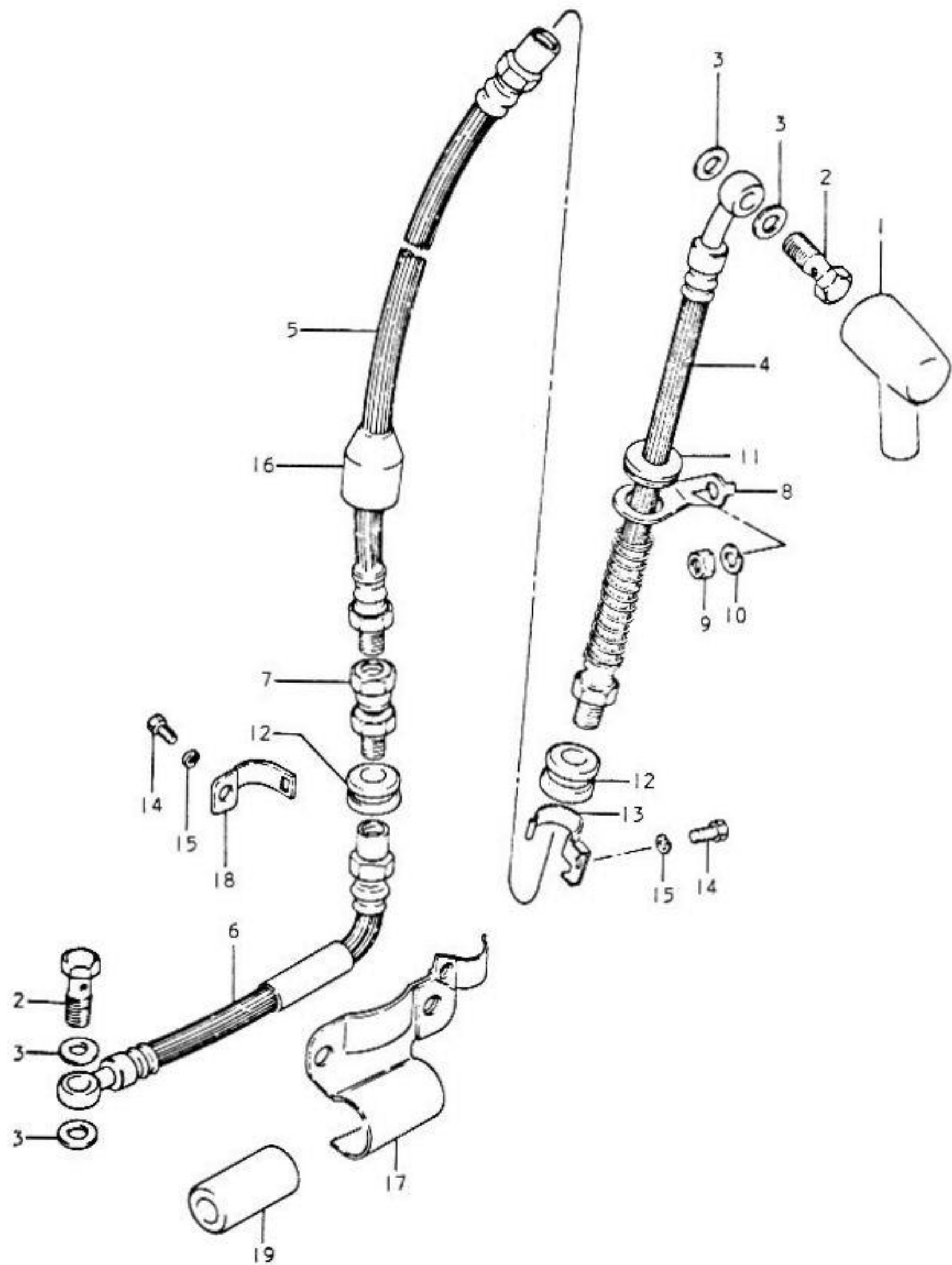
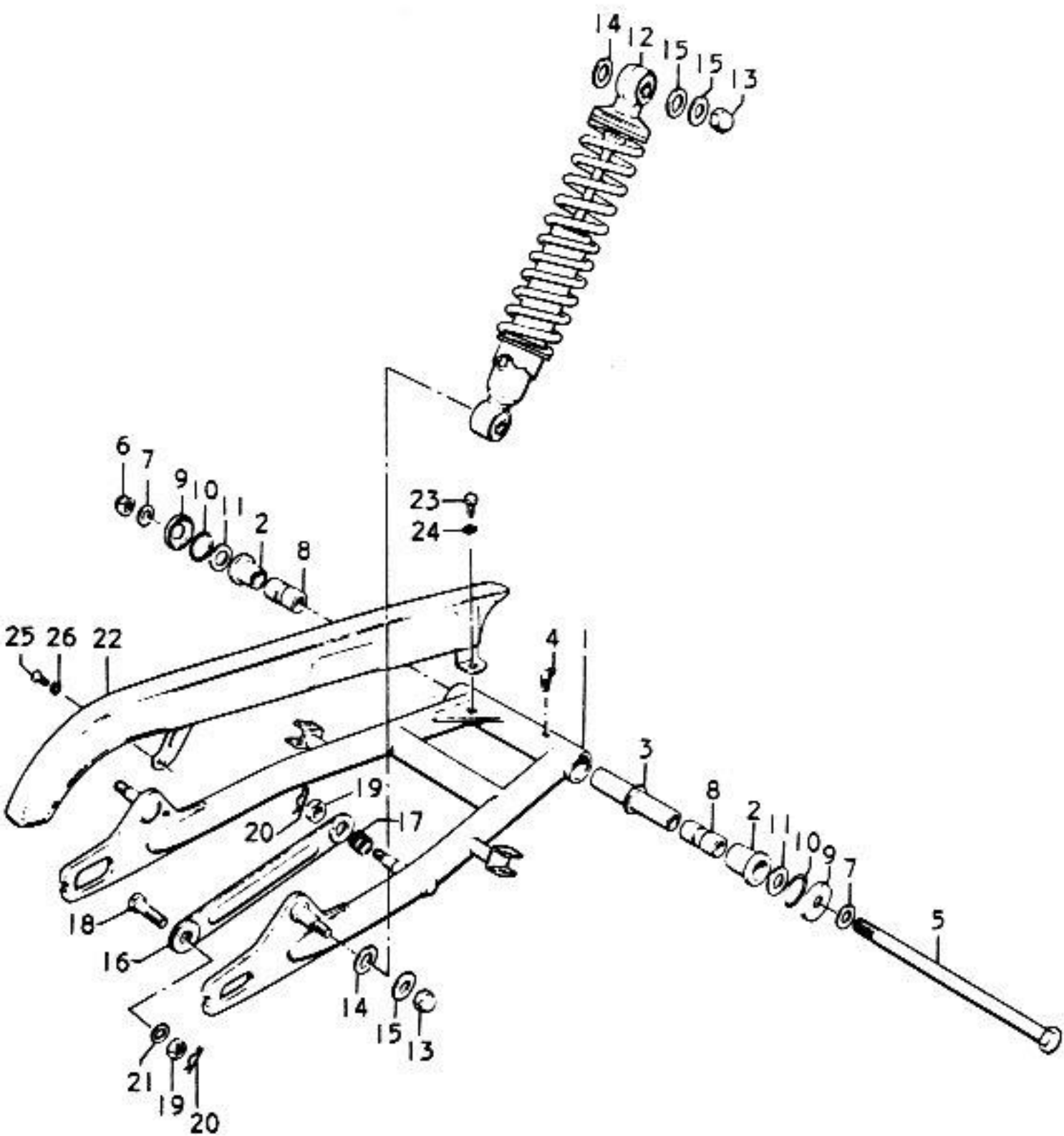


FIG.35 BRAKE HOSE

Ref.No.	Part No.	Description	Q'ty	
			A	B
1	59711-18400	BOOT, master cylinder	1	1
2	09360-10003	BOLT	2	2
3	09161-10005	WASHER	4	4
4	59480-34902	HOSE, brake No.1	1	1
5	59240-34011	HOSE, brake No.2	1	1
6	59520-31012	HOSE, brake No.3	1	1
7	59290-33110	ADAPTOR, brake hose	1	1
8	59243-18401	GUIDE, brake hose	1	1
9	08312-32108	NUT	1	1
10	08321-21108	LOCK WASHER	1	1
11	09308-14007	GROMMET	1	1
12	09305-14003	BUSHING	2	2
13	51266-18400	CLAMP	1	1
14	09128-06011	SCREW	2	2
15	08321-21068	LOCK WASHER	2	2
16	59265-33100	BOOT, adaptor	1	1
17	59280-33101	COVER, brake hose	1	1
18	59268-33100	CLAMP	1	1
19	09320-14003	CUSHION	1	1

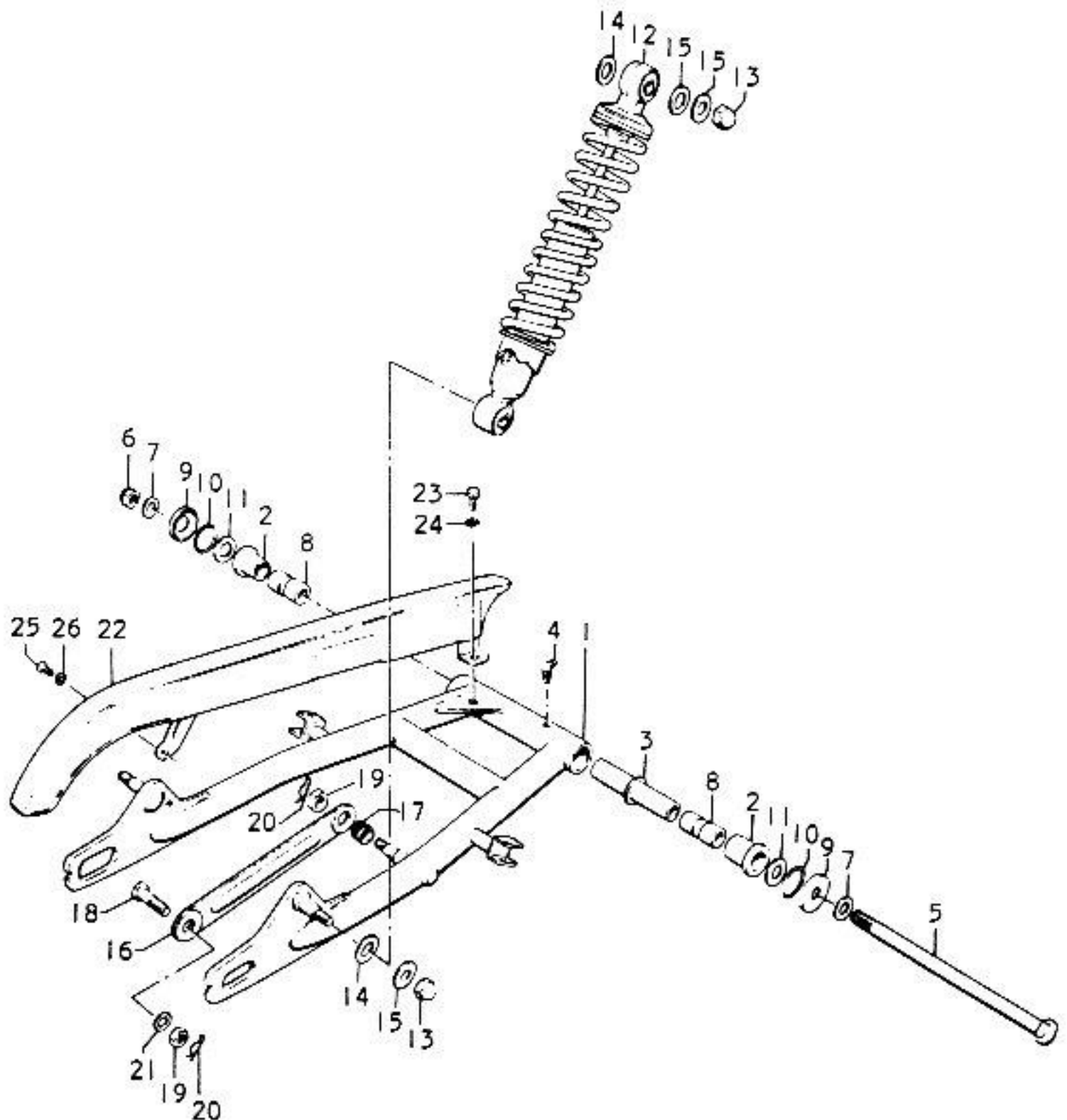
FIG.36 REAR SWINGING ARM

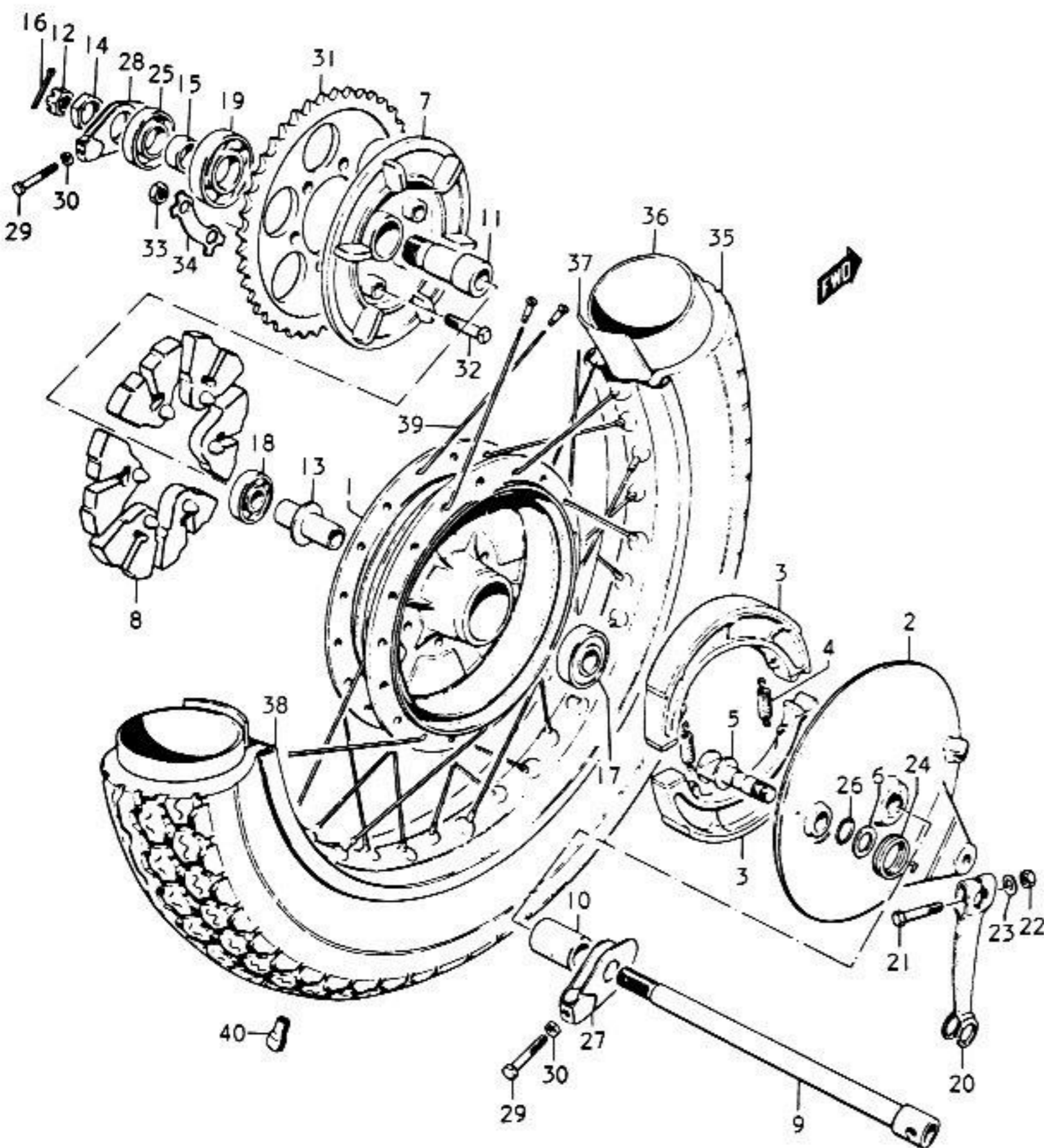


Ref.No.	Part No.	Description	Q'ty		Remarks
			A	B	
1	61100-15840-019	REAR SWINGING ARM SET	1	1	to 61100-15841-019
2-1	09307-22002	•BUSHING	2	-	to 09307-22003
2-2	09307-22003	•BUSHING	-	2	
3	61280-15000	•SPACER	1	1	
4	08351-31008	•NIPPLE, grease	1	1	
5	61211-15006	SHAFT, pivot	1	1	
6	09159-14003	NUT	1	1	
7	08322-11148	WASHER	2	2	
8	61251-15001	SPACER, pivot	2	2	from 61251-15000
9	61262-15000	COVER, dust seal	2	2	
10	09280-30001	O RING	2	2	
11	09160-14009	WASHER	2	2	
12	62100-18602	SHOCK ABSORBER, rear	2	2	
13	08313-11107	NUT	4	4	
14	08322-11128	WASHER	4	4	
15	09160-10001	WASHER	8	8	
16	64310-15000	TORQUE LINK, rear vrake	1	1	
17	09440-18002	SPRING	1	1	
18	09101-10003	BOLT	1	1	
19	08311-11108	NUT	2	2	
20	09385-10001	CLIP	2	2	
21	08321-21108	LOCK WASHER	1	1	

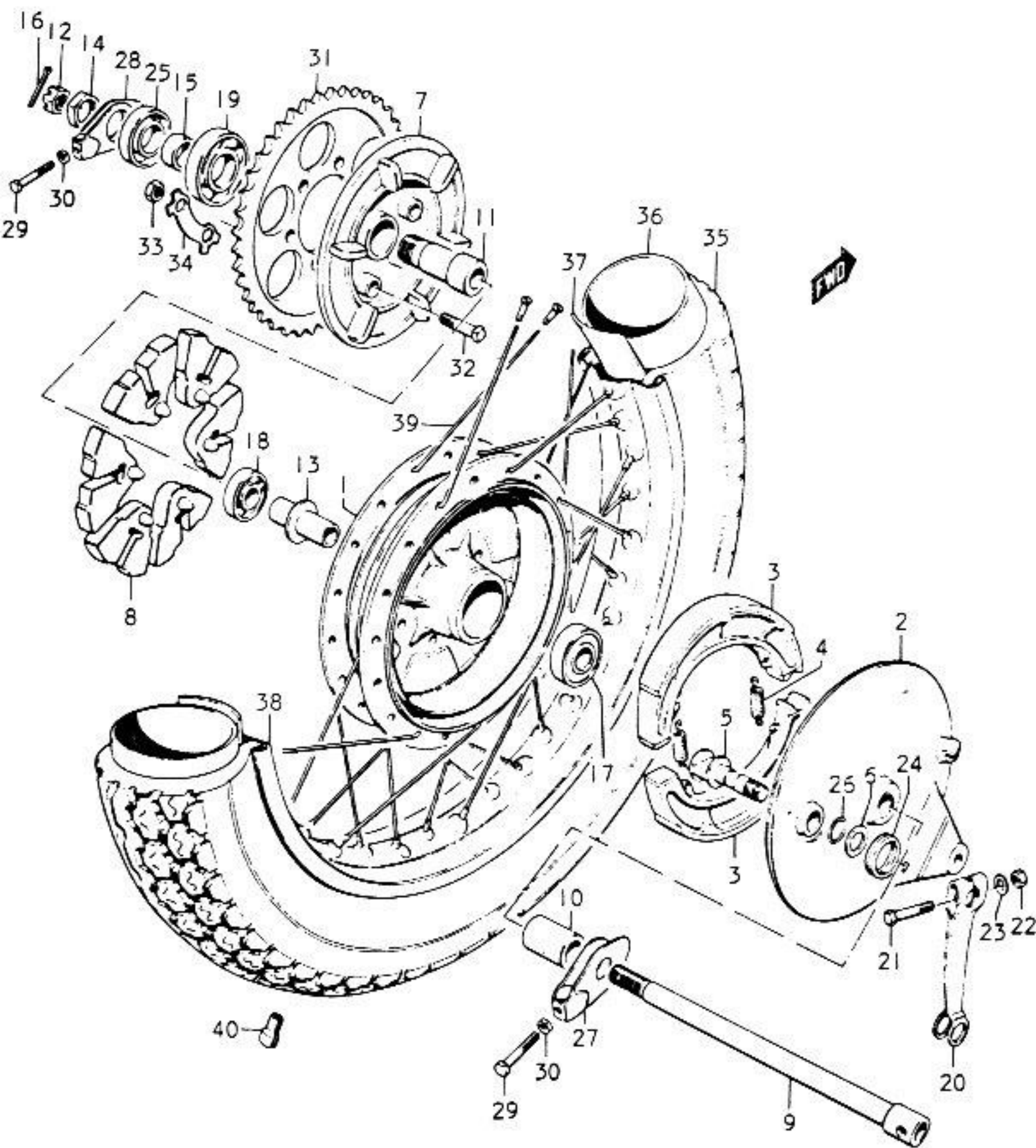
FIG. 36 REAR SWINGING ARM

Ref.No.	Part No.	Description	Q'ty		Remarks
			A	B	
22-1	61310-15101	CHAIN CASE	1	-	
22-2	61310-15102	CHAIN CASE	-	1	from 61310-1510
23	01112-06128	BOLT	1	1	
24	08321-21068	LOCK WASHER	1	1	
25	02121-05127	SCREW	1	1	
26	08323-31058	LOCK WASHER	1	1	





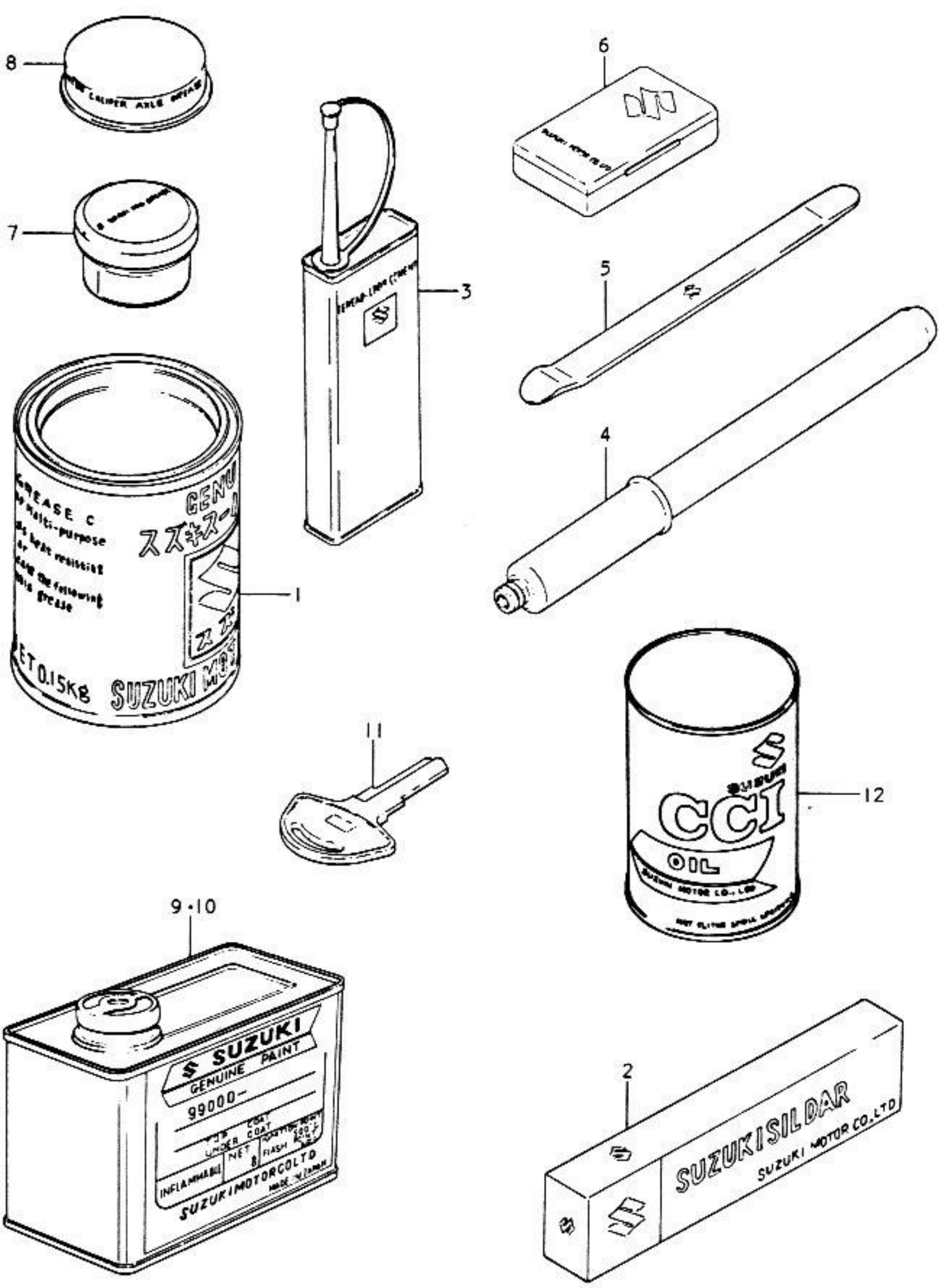
Ref.No.	Part No.	Description	Q'ty	
			A	B
1	64110-11001	HUB	1	1
2	64210-11002	PANEL	1	1
3	64410-11002	SHOE, brake	2	2
4	55420-30000	SPRING	2	2
5	54440-33001	CAM, brake	1	1
6	09160-15001	WASHER	1	1
7	64611-11000	DRUM, sprocket	1	1
8	64651-11000	CUSHION, hub	6	6
9	64711-11000	AXLE	1	1
10	09180-17024	SPACER, RH	1	1
11	64761-11000	SHAFT, sprocket drum	1	1
12	08314-31168	NUT	1	1
13	64730-11000	SPACER, bearing	1	1
14	09140-24002	NUT	1	1
15	09180-25011	SPACER	1	1
16	04111-40408	COTTER PIN	1	1
17	08143-63030	BEARING, RH	1	1
18	08143-62030	BEARING, LH	1	1
19	08113-62050	BEARING	1	1
20	64451-11000	LEVER, brake cam	1	1
21	01112-06408	BOLT	1	1
22	08311-11068	NUT	1	1
23	08322-21068	WASHER	1	1
24	09448-30001	SPRING	1	1
25	09283-30001	OIL SEAL	1	1
26	09280-15001	O RING	1	1



Ref.No.	Part No.	Description	Q'ty		Remarks
			A	B	
27	61410-15002	ADJUSTER, chain RH	1	1	
28	61420-15002	ADJUSTER, chain LH	1	1	
29	09104-08006	BOLT	2	2	
30	08312-11088	NUT	2	2	
31-1	64511-15001	SPROCKET	1	1	NT:33
31-2	64511-15731	SPROCKET	1	1	NT:32
31-3	64511-15741	SPROCKET	1	1	NT:34
31-4	64511-15751	SPROCKET	1	1	NT:35
31-5	64511-15761	SPROCKET	1	1	NT:36
32	09119-10002	BOLT	6	6	
33	08312-32108	NUT	6	6	
34	09169-10006	WASHER	3	3	
35	65100-15620	TIRE	1	1	400 S18
36	65200-15011	TUBE, inner	1	1	400 S18
37	65261-15010	PROTECTOR, inner tube	1	1	400 S18
38	65311-15021	RIM	1	1	215x18
39	65300-15830	SPOKE SET	1	1	
40-1	55411-11000	BARANCER, S	(0~3)		
40-2	55412-11000	BALANCER, L	(0~3)		

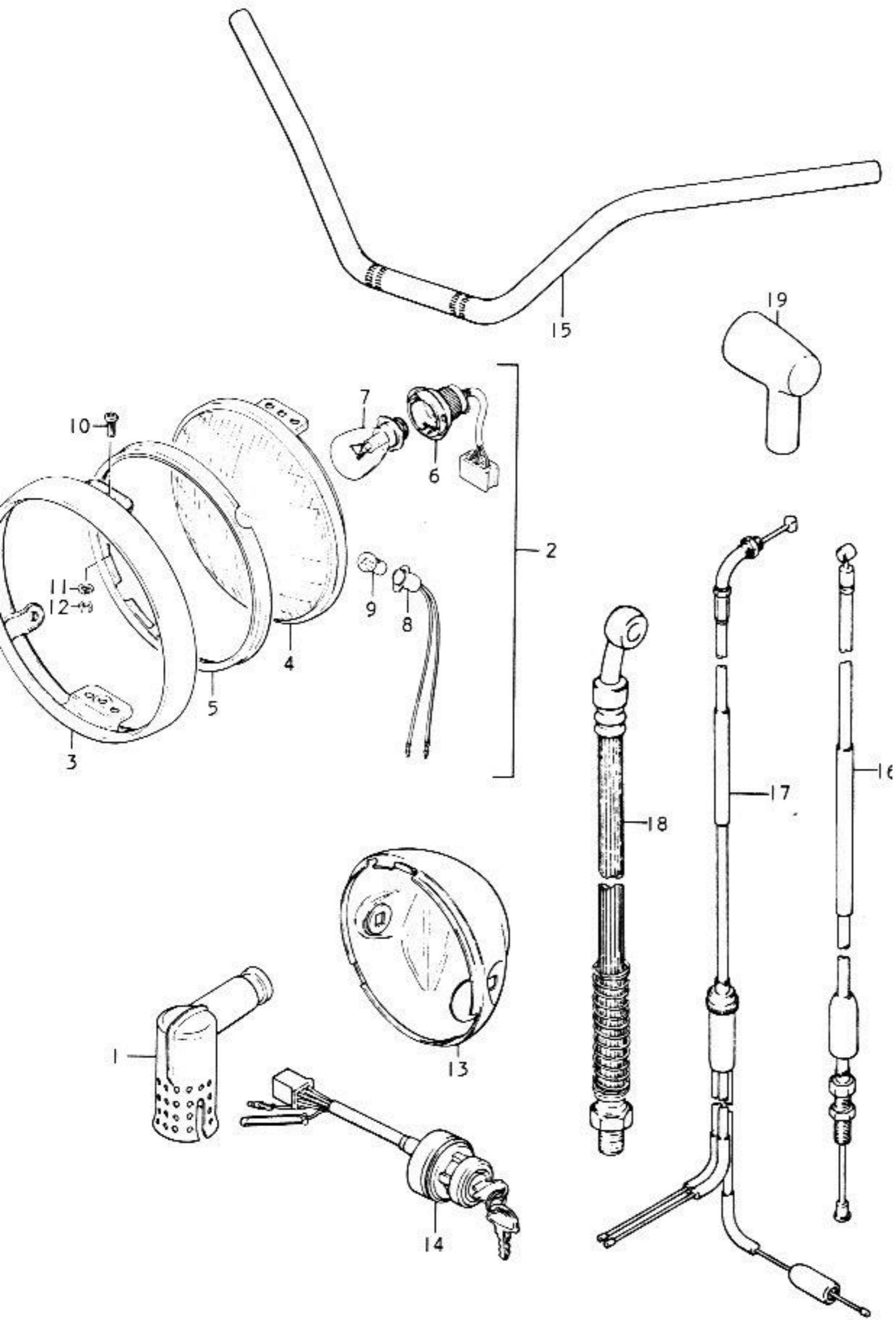
OPTIONAL

FIG. 38 OPTIONAL



Ref.No.	Part No.	Description	Q'ty		Remarks
			A	B	
1	99000-25030	GREASE, super	1	1	
2	99000-31010	GASKET, liquid	1	1	
3	99000-32040	CEMENT, thread lock	1	1	
4	09821-00004	INFLATOR, air	1	1	
5	09825-00002	LEVER, tire	2	2	
6	09826-00001	TOOL, tube repairing	1	1	
7	99000-25100	GREASE, brake pad	1	1	20g
8	99000-25110	GREASE, calipers axle	1	1	20g
9-1	99000-10105-019	PAINT (BLACK)	1	1	NET: 500g
9-2	99000-10205-00U	PAINT (CANDY ROSE)	1	-	
9-3	99000-10205-01J	PAINT (ANDES BLUE METALLIC)	1	-	
9-4	99000-10105-29I	PAINT (BLACK)	-	1	
9-5	99000-10205-797	PAINT (MAUI BLUE METALLIC)	-	1	
9-6	99000-10205-00T	PAINT (CANDY CALYPSO RED)	-	1	
10-1	99000-10109-019	PAINT (BLACK)	1	1	NET: 90g
10-2	99000-10209-00U	PAINT (CANDY ROSE)	1	-	
10-3	99000-10209-01J	PAINT (ANDES BLUE METALLIC)	1	-	
10-4	99000-10109-29I	PAINT (BLACK)	-	1	
10-5	99000-10209-797	PAINT (MAUI BLUE METALLIC)	-	1	
10-6	99000-10209-00T	PAINT (CANDY CALYPSO RED)	-	1	
11	37145-19710	KEY, blank	1	1	
12-1	99000-21250	SUZUKI CCI SUPER OIL	1	1	1 carton (1&x24CAN)
12-2	99000-21145	SUZUKI CCI OIL	1	1	1 carton (1&x24CAN)
12-3	99000-21021	SUZUKI CCI OIL	1	1	1 carton (4&x6CAN)
12-4	99000-21150	SUZUKI CCI OIL	1	1	200ℓ
	11400-15830	GASKET SET	1	1	

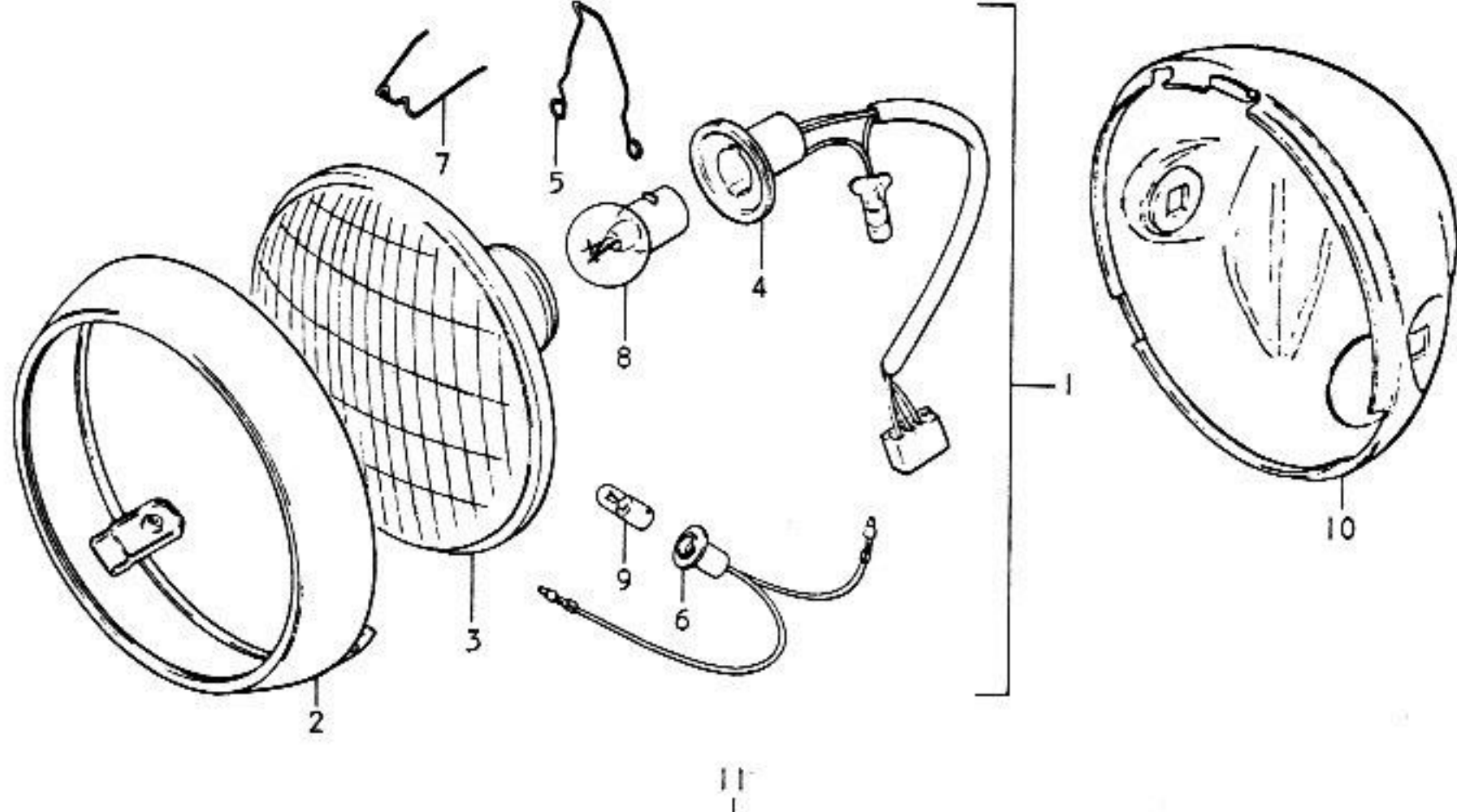
FIG. 39 FOR YOUR MARKET (E2)



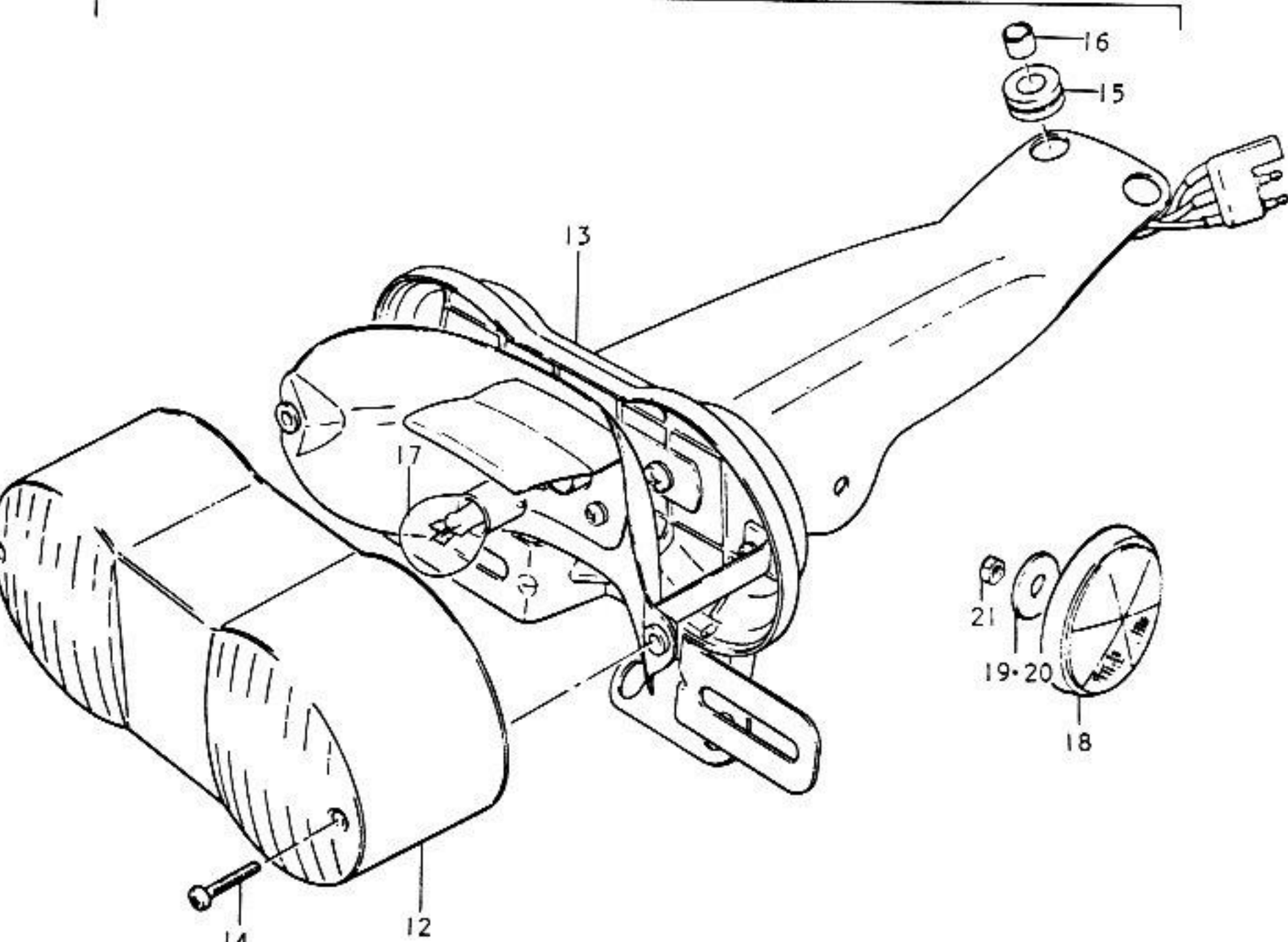
Ref.No.	Part No.	Description	Q'ty		Remarks
			A	B	
1-1	33510-22600	CAP, spark plug	2	-	to 33510-22610
1-2	33510-26610	CAP, spark plug	-	2	
2	35100-15616	HEADLAMP ASSY	1	1	
3	35111-33032	•RIM	1	1	
4	35121-15614	•UNIT	1	1	
5	35127-33031	•RING	1	1	
6	35171-15616	•SOCKET	1	1	
7	09471-12043	•BULB	1	1	12V, 35/25W
8	36118-15614	•SOCKET	1	1	
9	09471-12001	•BULB	1	1	12V, 3W
10	35181-33031	•SCREW	4	4	
11	08321-21058	•LOCK WASHER	4	4	
12	08311-11058	•NUT	4	4	
13-1	51810-33600	HOUSING, headlamp	1	-	
13-2	51810-27600-291	HOUSING, headlamp	-	1	
14-1	37110-28654	SWITCH ASSY, ignition	1	-	from 37110-28653 to 37110-28655
14-2	37110-28655	SWITCH ASSY, ignition	-	1	
15	56111-33600	HANDLEBAR	1	1	
16	58200-15100	CABLE, clutch	1	1	
17	58300-15600	CABLE, throttle	1	1	
18	59480-34012	HOSE, brake No.1	1	1	
19	59711-33600	BOOT, master cylinder	1	1	

FLAT HANDLEBAR

FIG.40 FOR YOUR MARKET (E4)



Ref.No.	Part No.	Description	Q'ty		Remarks
			A	B	
1	35100-36680-999	HEADLAMP ASSY	1	1	
2	35111-18660	•RIM	1	1	
3	35121-18650	•UNIT	1	1	
4	35171-36640	•SOCKET	1	1	
5	35172-28660	•CLAMP	1	1	
6	36118-28660	•SOCKET	1	1	
7	35128-18660	•CLAMP	1	1	
8	09471-12047	BULB (Executed locally) 12V, 36/36W	1	1	PHILIPS No.12725/86
9	09471-12032	BULB	1	1	12V, 4W
10-1	51810-33600	HOUSING, headlamp	1	-	
10-2	51810-27600-291	HOUSING, headlamp	-	1	
11-1	35710-18673-999	LAMP ASSY, rear combination	1	-	
11-2	35710-33652-999	LAMP ASSY, rear combination	-	1	
12	35712-27660	•LENS	1	1	
13	35715-27691	•HOUSING	1	1	
14	02111-04208	•SCREW	2	2	
15	35765-15010	•CUSHION	4	4	
16	35766-15010	•SPACER	4	4	
17	09471-12046	BULB (Executed locally) 12V, 21/5W	1	1	PHILIPS/HELLA WK15857
18	35950-45010	REFLEX REFLECTOR, rear	-	2	
19	35994-33600	SPACER, RH	-	1	
20	35995-33600	SPACER, LH	-	1	
21	08311-11058	NUT	-	2	



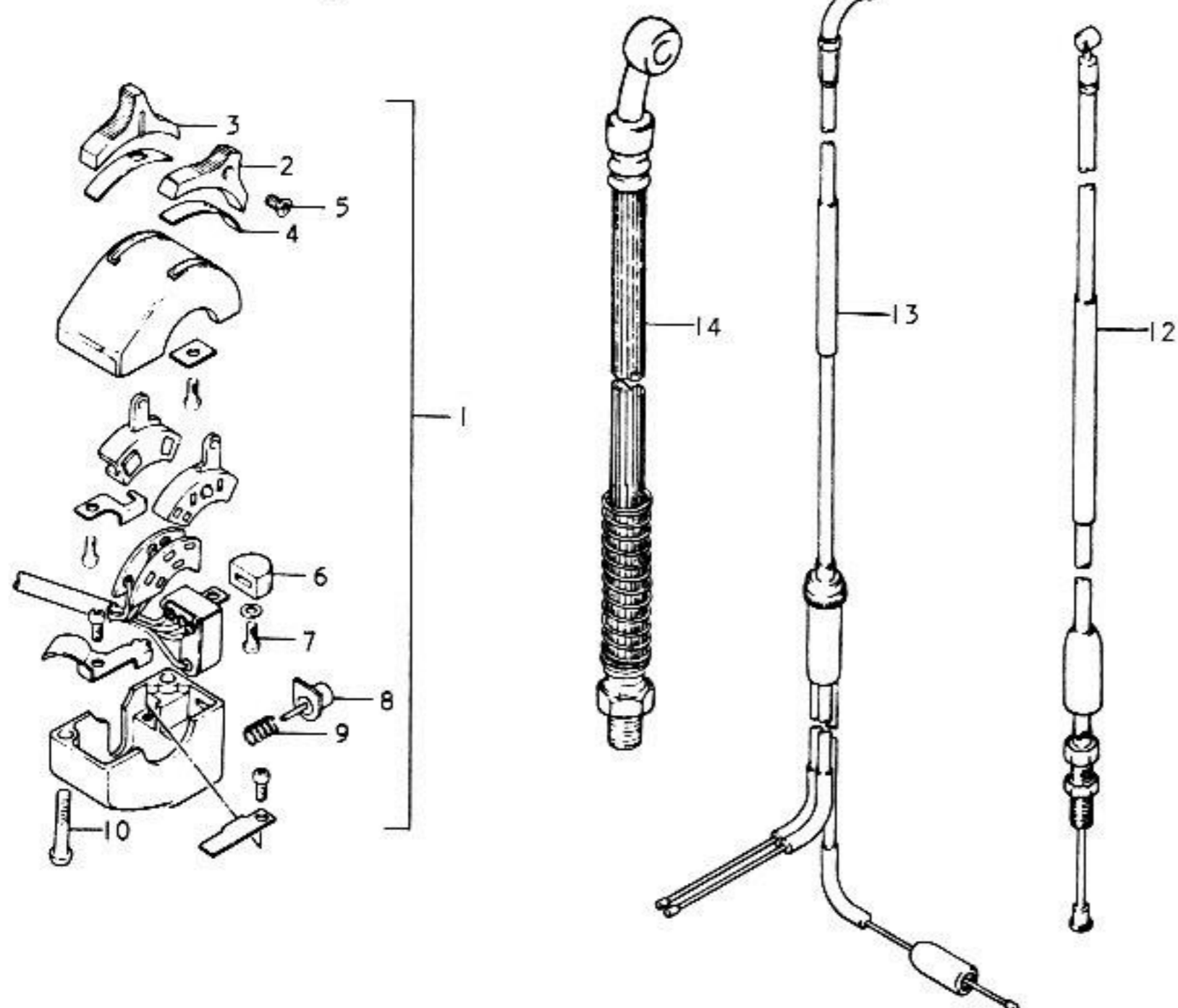
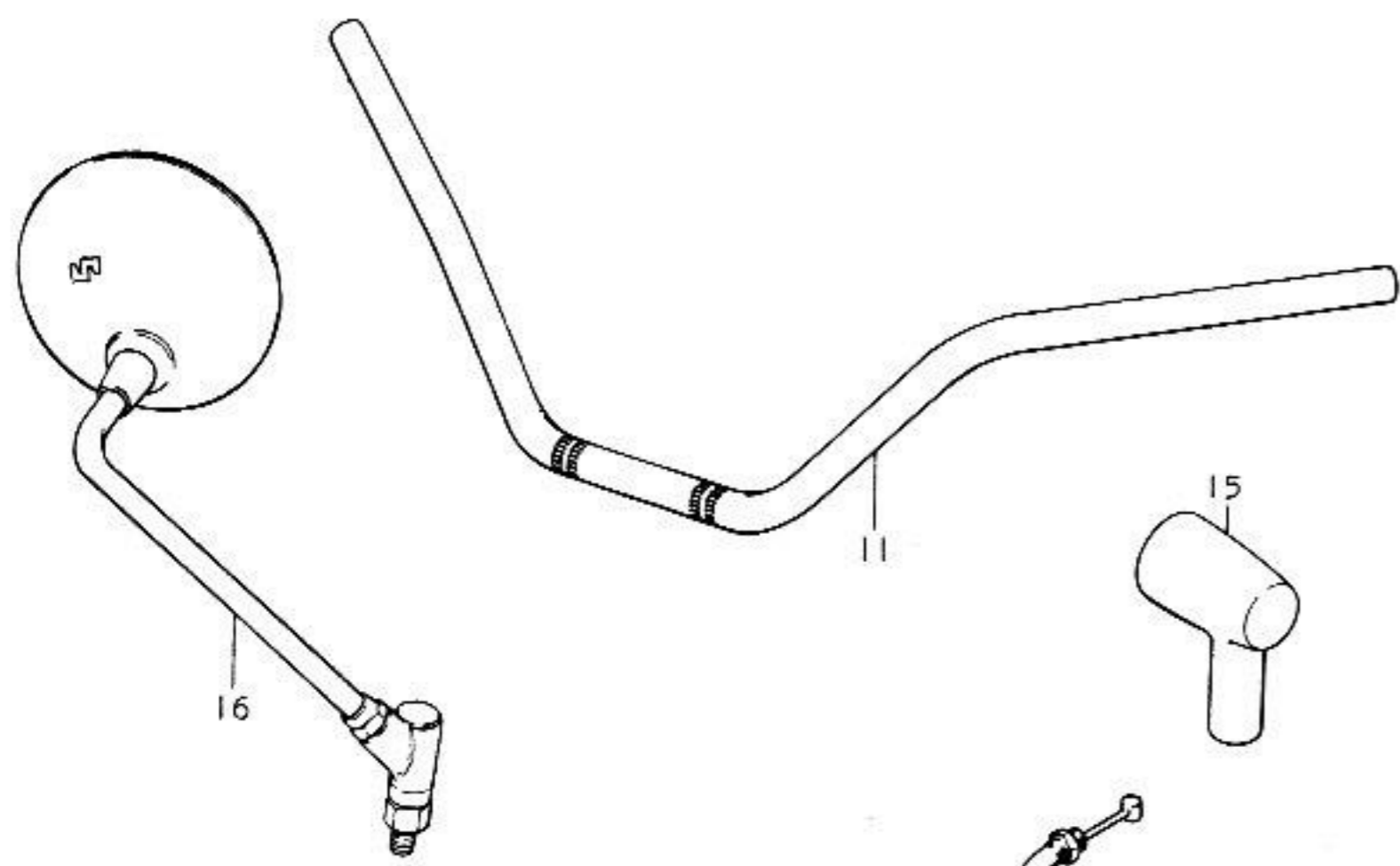


FIG.41 FOR YOUR MARKET (E4)

Ref.No.	Part No.	Description	Q'ty		Remarks
			A	B	
1	57700-18670	SWITCH ASSY, handle	1	1	
2	57712-33011	•KNOB, lighting	1	1	
3	57713-33010	•KNOB, dimmer	1	1	
4	57714-33010	•PLATE	2	2	
5	02321-03088	•SCREW	2	2	
6	57742-33010	•KNOB	1	1	
7	02121-03068	•SCREW	1	1	
8	57850-31010	•BUTTON, horn	1	1	
9	57761-26010	•SPRING	1	1	
10	02111-05207	•SCREW	2	2	
11	56111-33600	HANDLEBAR	1	1	FLAT HANDLEBAR
12	58200-15100	CABLE, clutch	1	1	
13	58300-15600	CABLE, throttle	1	1	
14	59480-34012	HOSE, brake No.1	1	1	
15	59711-33600	BOOT, master cylinder	1	1	
16	56500-28600	MIRROR, rear view	1	2	

FIG.42 FOR YOUR MARKET (E6)

Ref.No.	Part No.	Description	Q'ty		Remarks
			A	B	
1	53351-01600	PLATE	1	1	
2	53361-01600	PLATE	4	4	
3	02111-05087	SCREW	2	2	
4	02111-05127	SCREW	4	4	
5	08321-21058	LOCK WASHER	6	6	
6	08311-31058	NUT	6	6	
7	63451-03600	PLATE	1	1	
8	01112-06128	BOLT	2	2	
9	08322-21068	WASHER	4	4	
10	08321-21068	LOCK WASHER	2	2	
11	08311-11068	NUT	2	2	

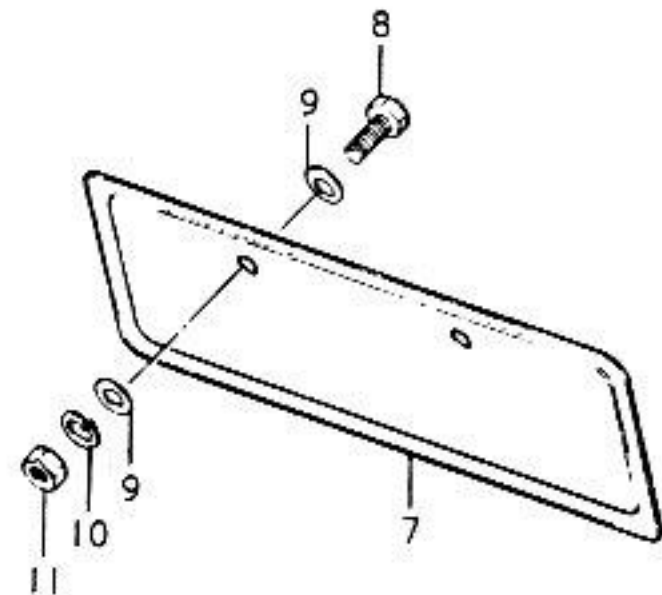
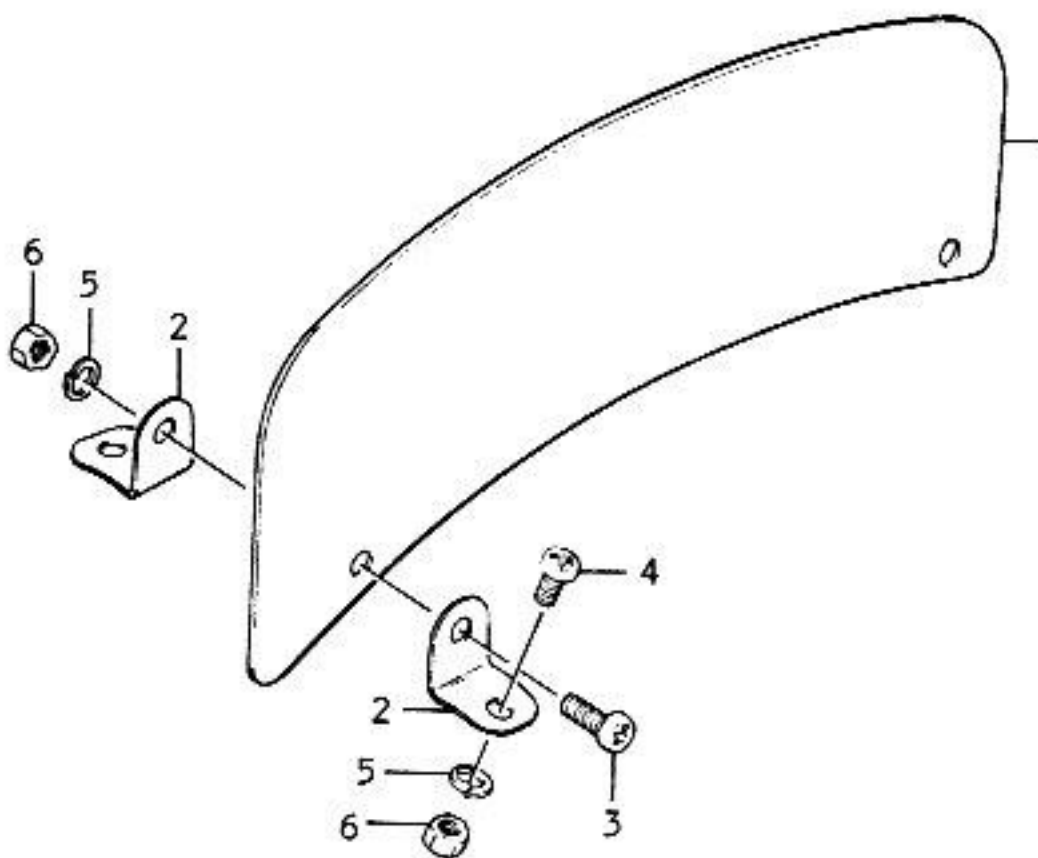


FIG.43 FOR YOUR MARKET (E18)

Ref.No.	Part No.	Description	Q'ty		Remarks
			A	B	
1	35100-33600-999	HEADLAMP ASSY	1	1	
2	35111-33660	•RIM	1	1	
3	35121-34670	•UNIT	1	1	
4	35136-34670	•SETER, bulb	1	1	
5	36118-15610	•SOCKET	1	1	
6	35128-33660	•SPRING	3	3	
7	09471-12032	BULB	1	1	12V, 4W
8	09471-12048	BULB (Executed locally)	1	1	12V, 45/40W
9	36852-34000	LEAD WIRE, headlamp	1	1	
10-1	51810-33600	HOUSING, headlamp	1	-	
10-2	51810-27600-291	HOUSING, headlamp	-	1	

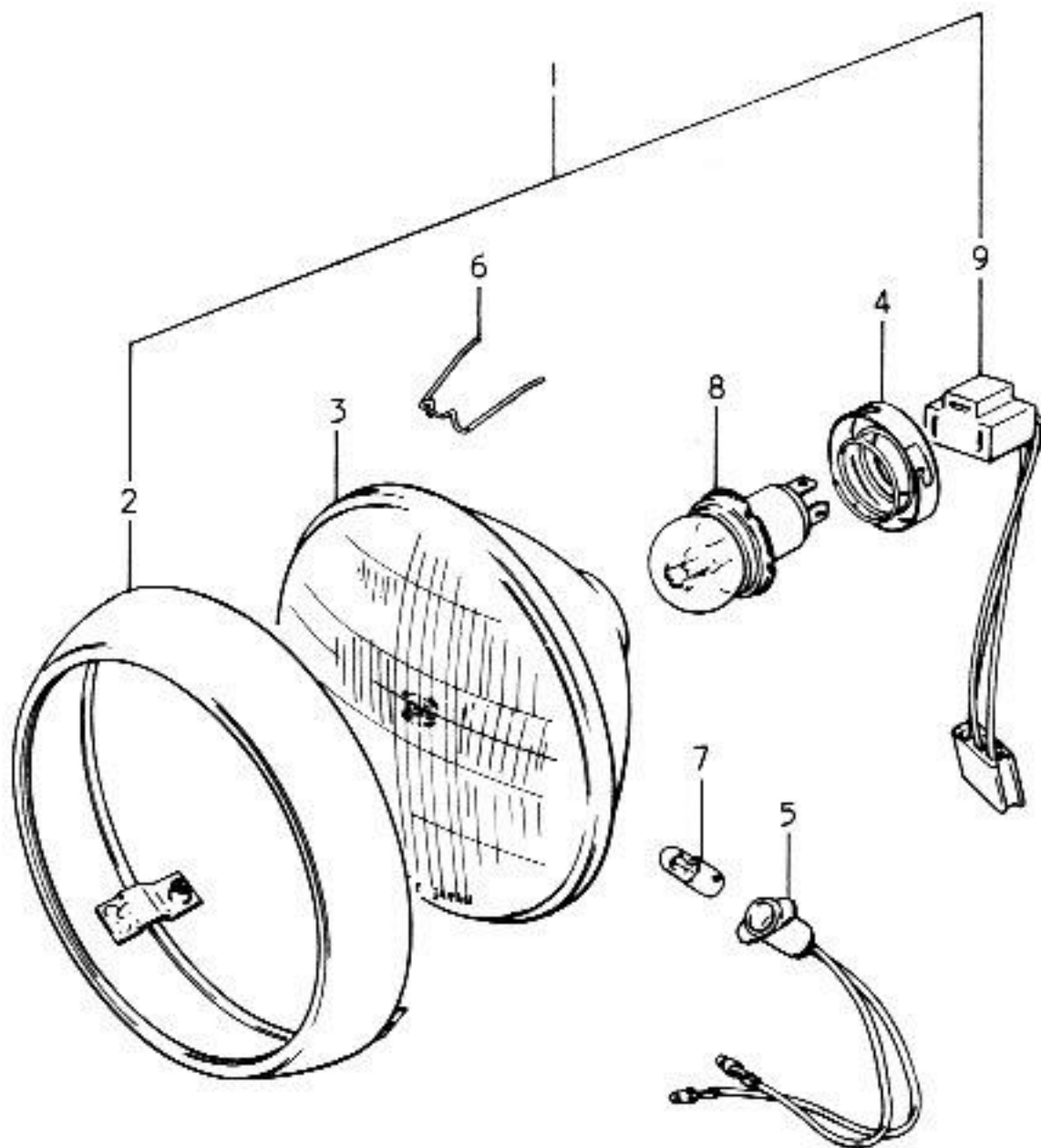
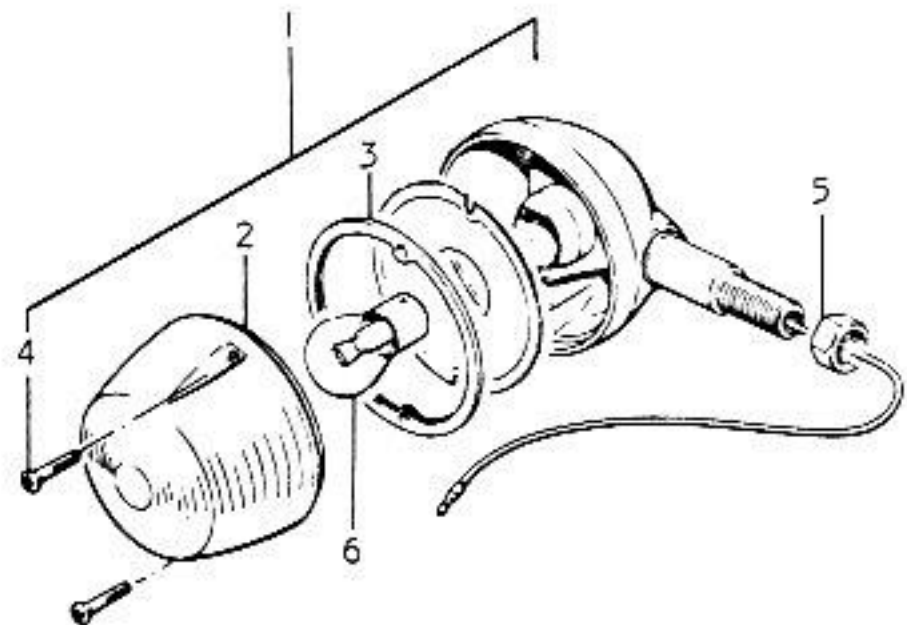
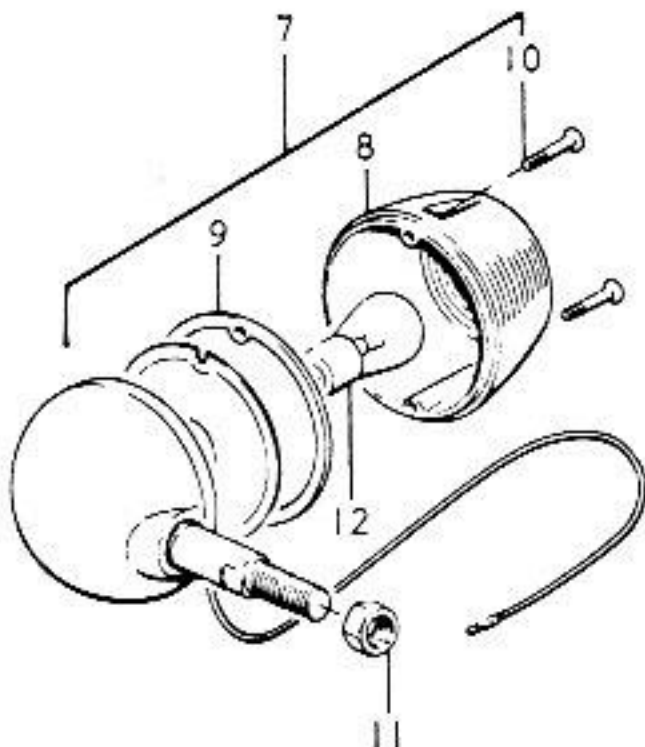


FIG. 44 FOR YOUR MARKET (GT500A E18)

Ref.No.	Part No.	Description	Q'ty A	Remarks
1	35601-18670-999	LAMP ASSY, front turn signal	2	
2	35612-12611	•LENS	2	
3	35613-03610	•GASKET	2	
4	02133-03167	•SCREW	4	
5	08312-32108	•NUT	2	
6	09471-12045	BULB (Executed locally) 12V, 21W	2	PHILIPS/HELLA W/K15814
7	35603-18660-999	LAMP ASSY, rear turn signal	2	
8	35612-12611	•LENS	2	
9	35613-03610	•GASKET	2	
10	02133-03167	•SCREW	4	
11	08312-32108	•NUT	2	
12	09471-12045	BULB (Executed locally) 12V, 21W	2	PHILIPS/HELLA W/K15814



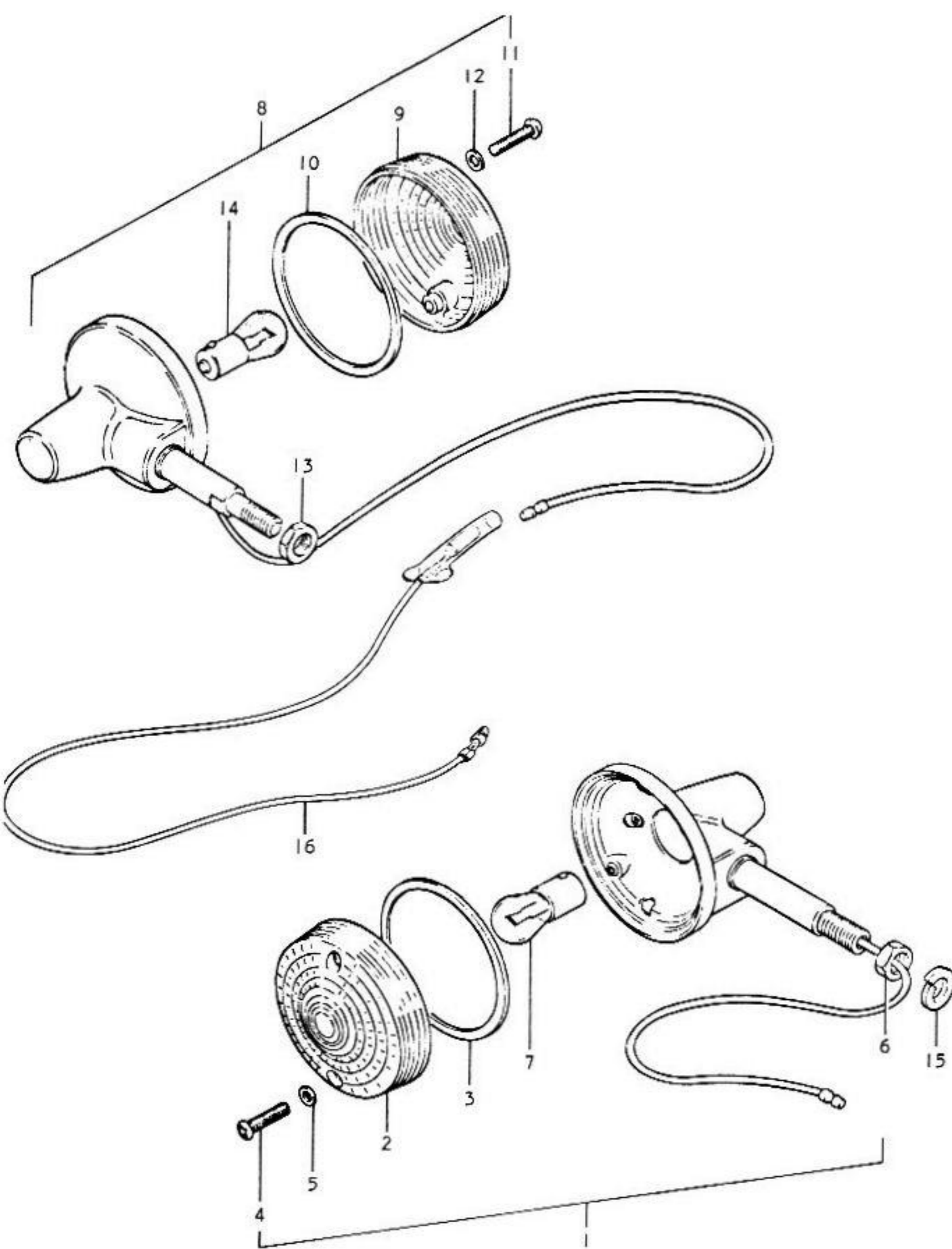
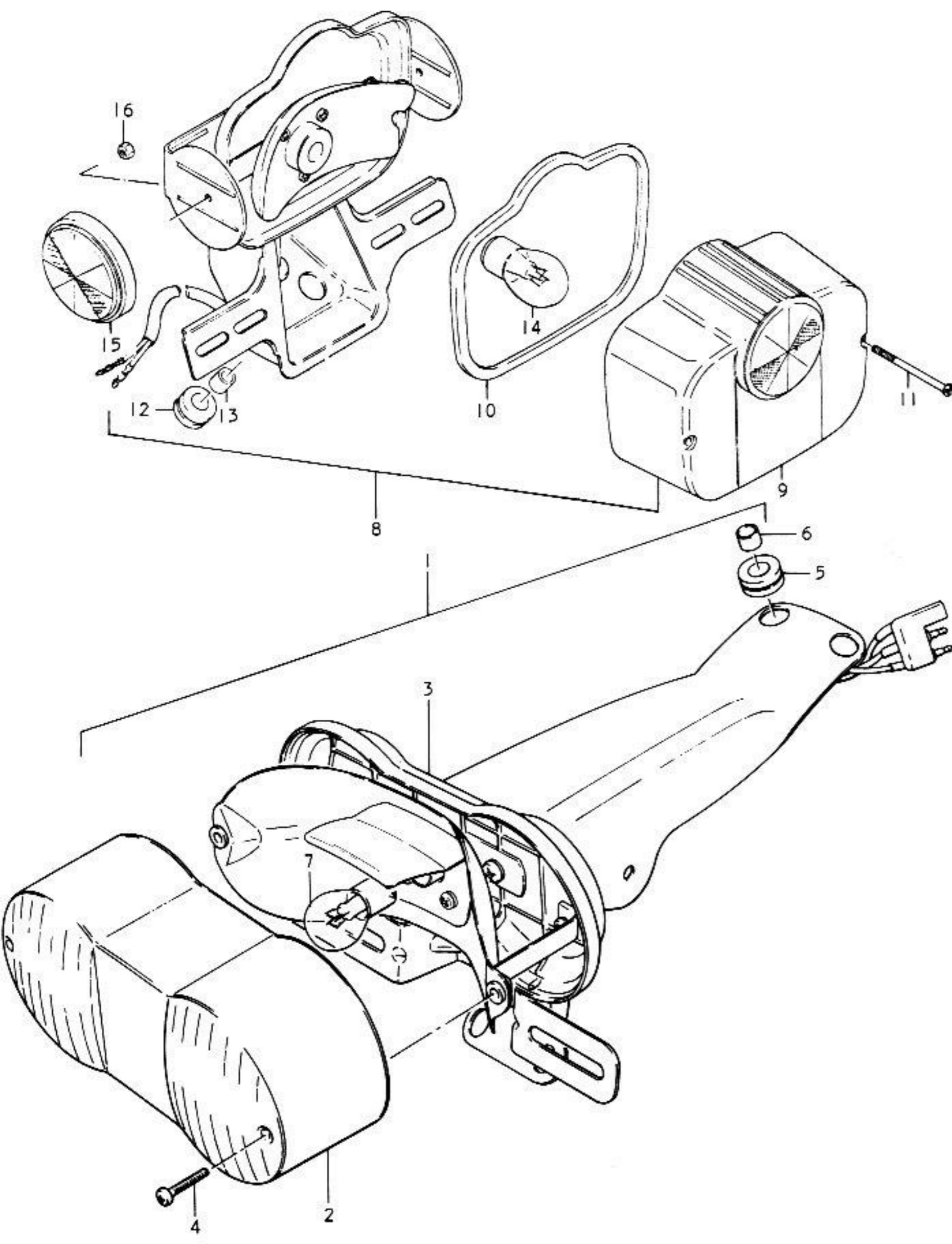


FIG.45 FOR YOUR MARKET (GT500B E18)

No.	Part No.	Description	Q'ty B	Remarks
	35601-18640-999	LAMP ASSY, front turn signal	2	
	35612-28620	•LENS	2	
	35613-28620	•GASKET	2	
	02111-04258	•SCREW	4	
	35627-43010	•GASKET	4	
	08312-32108	•NUT	2	
	09471-12045	BULB (Executed locally)	2	PHILIPS 12V, 21W W/K15814
	35603-18640-999	LAMP ASSY, rear turn signal	2	
	35612-28620	•LENS	2	
	35613-28620	•GASKET	2	
	02111-04258	•SCREW	4	
	35627-43010	•GASKET	4	
	08312-32108	•NUT	2	
	09471-12045	BULB (Executed locally)	2	PHILIPS 12V, 21W W/K15814
	08321-21108	LOCK WASHER	2	
	36852-08400	LEAD WIRE, rear turn signal lamp	2	

FIG. 46 FOR YOUR MARKET (E18)



Ref.No.	Part No.	Description	Q'ty		Remarks
			A	B	
1	35710-18673-999	LAMP ASSY, rear combination lamp	-	-	
2	35712-27660	•LENS	1	-	
3	35715-27691	•HOUSING	1	-	
4	02111-04208	•SCREW	2	-	
5	35765-15010	•CUSHION	4	-	
6	35766-15010	•SPACER	4	-	
7	09471-12046	BULB (Executed locally)	1	-	PHILIPS/HELLA WK15857
8	35710-18640-999	LAMP ASSY, rear combination	-	1	
9	35712-27630	•LENS	-	1	
10	35713-27630	•GASKET	-	1	
11	02111-04127	•SCREW	-	3	
12	35765-15010	•CUSHION	-	3	
13	35766-15010	•SPACER	-	3	
14	09471-12046	BULB (Executed locally)	-	1	12V, 32/3cp
15	35950-45010	REFLEX REFLECTOR, rear side	-	2	
16	08311-11058	NUT	-	2	

FIG.47 FOR YOUR MARKET (E18)

Ref.No.	Part No.	Description	Q'ty		Remarks
			A	B	
1-1	33510-22600	CAP ASSY, spark plug	2	-	to 33510-22610
1-2	33510-22610	CAP ASSY, spark plug	-	2	
2	37110-28655	SWITCH ASSY, ignition	-	1	
3	38500-18411	HORN	1	-	
4	38591-18600	BRACKET, horn	1	-	
5	57460-33700	SWITCH ASSY, engine stop	1	1	

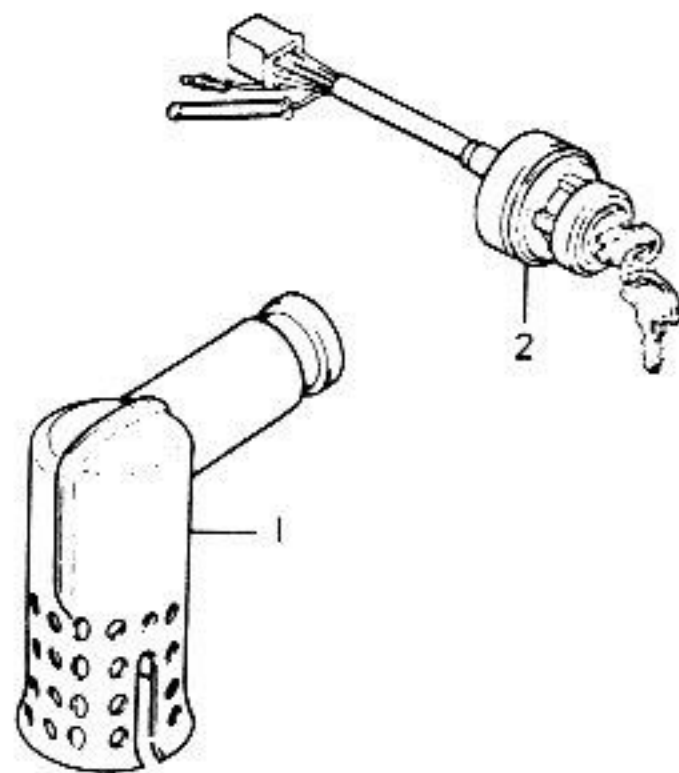
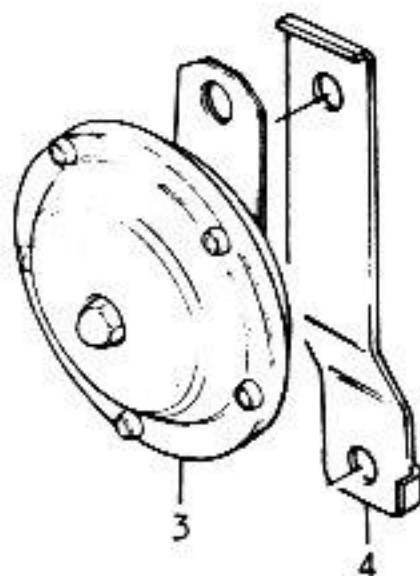
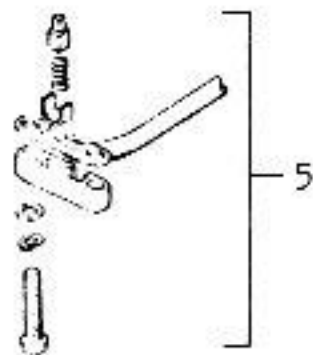
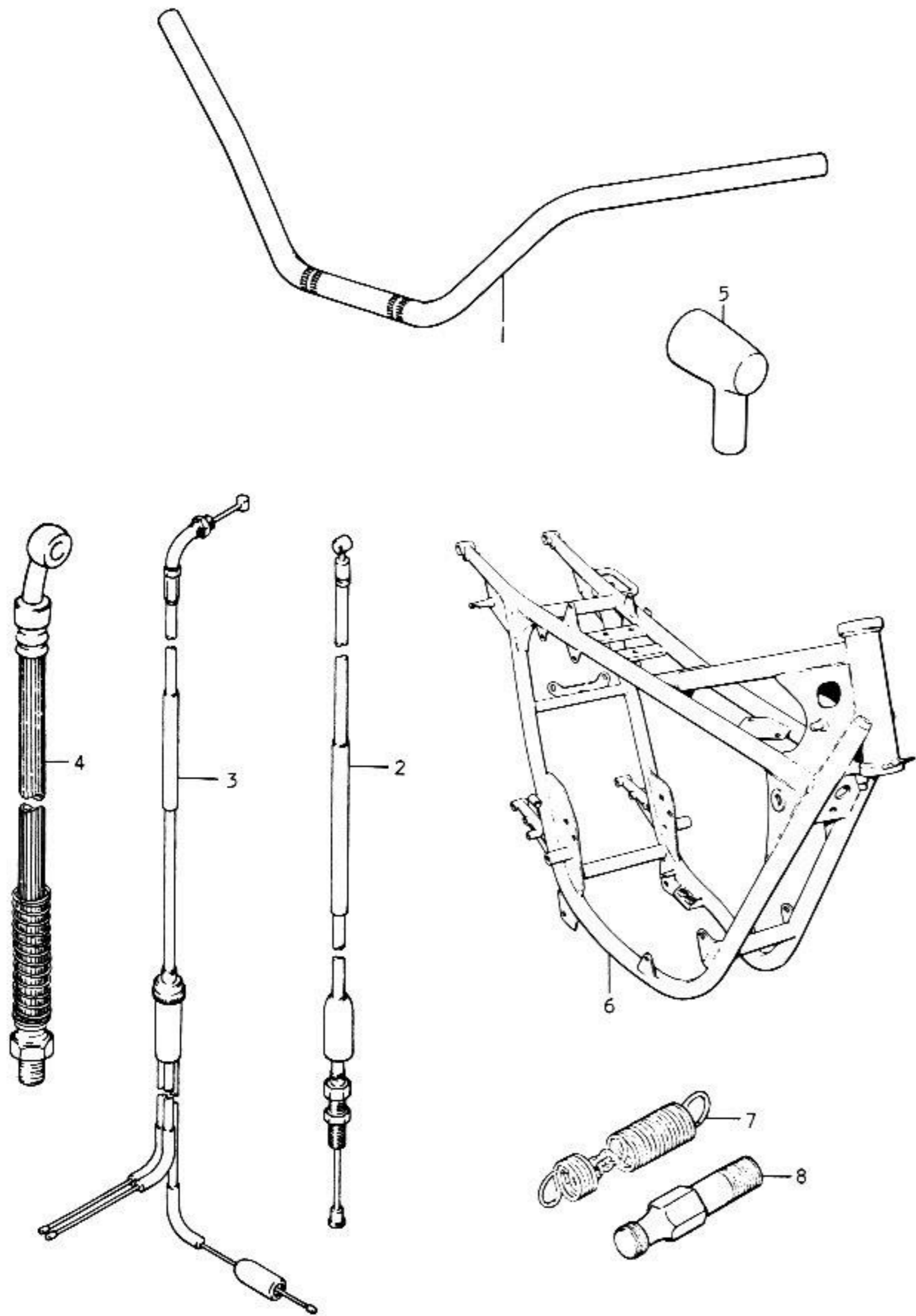
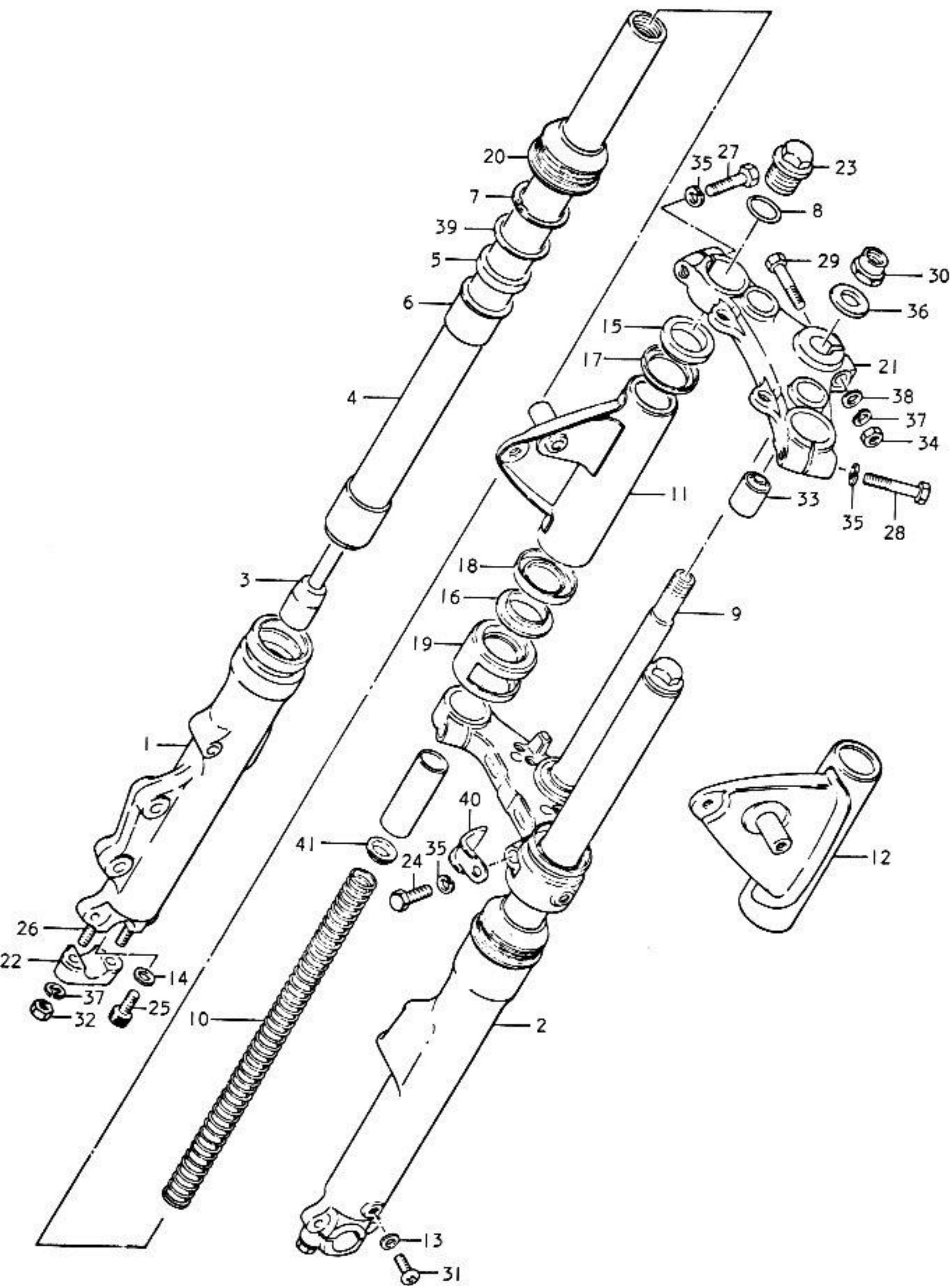


FIG.48 FOR YOUR MARKET (E18)



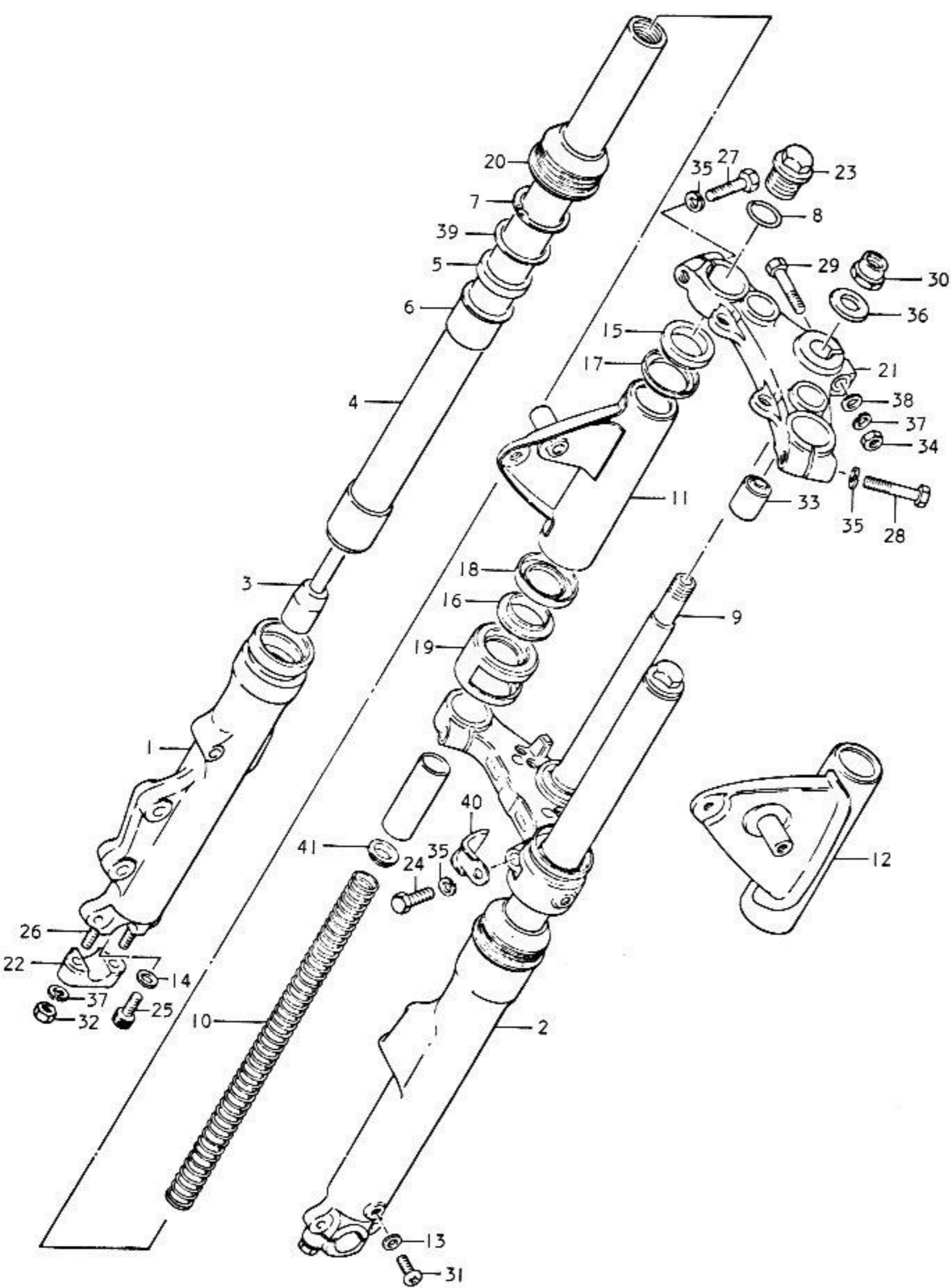
Ref.No.	Part No.	Description	Q'ty		Remarks
			A	B	
1	56111-33600	HANDLEBAR	1	1	} FLAT HANDLEBAR
2	58200-15100	CABLE, clutch	1	1	
3	58300-15600	CABLE, throttle	1	1	
4	59480-34012	HOSE, brake No.1	1	1	
5	59711-33600	BOOT, master cylinder	1	1	
6	41100-15631-019	FRAME	1	1	
7	42421-31000	SPRING, prop stand	-	1	
8	09119-10014	BOLT, prop stand	-	1	

FIG. 49 FOR YOUR MARKET (E18)



Ref.No.	Part No.	Description	Q'ty	
			A	B
	51100-15640-019	FRONT FORK ASSY	1	-
	51100-15641-291	FRONT FORK ASSY	-	1
1	51131-34710	•OUTER TUBE, RH	1	1
2	51131-34010	•OUTER TUBE, LH	1	1
3	51146-34010	•PIECE, oil lock	2	2
4	51110-15210	•INNER TUBE	2	2
5	51153-34010	•OIL SEAL	2	2
6	51152-34010	•GUIDE, inner tube	2	2
7	51156-34010	•CIRCLIP	2	2
8	51181-18510	•O RING	2	2
9	51410-15640	•STEERING STEM	1	1
10	51171-34110	•SPRING	2	2
11-1	51530-33110	•COVER, fork RH	1	-
11-2	51530-33611-291	•COVER, fork RH	-	1
12-1	51540-33110	•COVER, fork LH	1	-
12-2	51540-33611-291	•COVER, fork LH	-	1
13	51183-03010	•GASKET	2	2
14	51148-34010	•GASKET	2	2
15	51556-31010	•CUSHION, cover guide	2	2
16	51553-31010	•CUSHION, cover guide	2	2
17	51555-31010	•GUIDE, cover upper	2	2
18	51551-31010	•GUIDE, cover lower	2	2
19	51575-37010	•COVER, steering stem	2	2
20	51557-34110	•COVER, dust	2	2
21	51311-15210-019	•STEERING STEM HEAD	1	1

FIG.49 FOR YOUR MARKET (E18)



Ref.No.	Part No.	Description	Q'ty	
			A	B
22	51132-31010	•HOLDER, axle	2	2
23	51351-31010	•CAP, inner tube	2	2
24	01122-10408	•BOLT	2	2
25	51147-31010	•BOLT, oil lock piece	2	2
26	01421-08308	•BOLT	4	4
27	51451-34710	•BOLT, RH	1	1
28	01121-10407	•BOLT	1	1
29	01122-08508	•BOLT	1	1
30	51353-31710	•NUT	1	1
31	02111-04087	•SCREW	2	2
32	09140-08005	•NUT	4	4
33	09319-10009	•BUSHING	2	2
34	08312-11088	•NUT	1	1
35	08321-21108	•LOCK WASHER	4	4
36	51356-11010	•WASHER	1	1
37	08321-21088	•LOCK WASHER	5	5
38	08322-21088	•WASHER	1	1
39	51158-34010	•WASHER	2	2
40	34991-18110	•CLIP	1	1
41	51172-34110	•GUIDE, spring	2	2

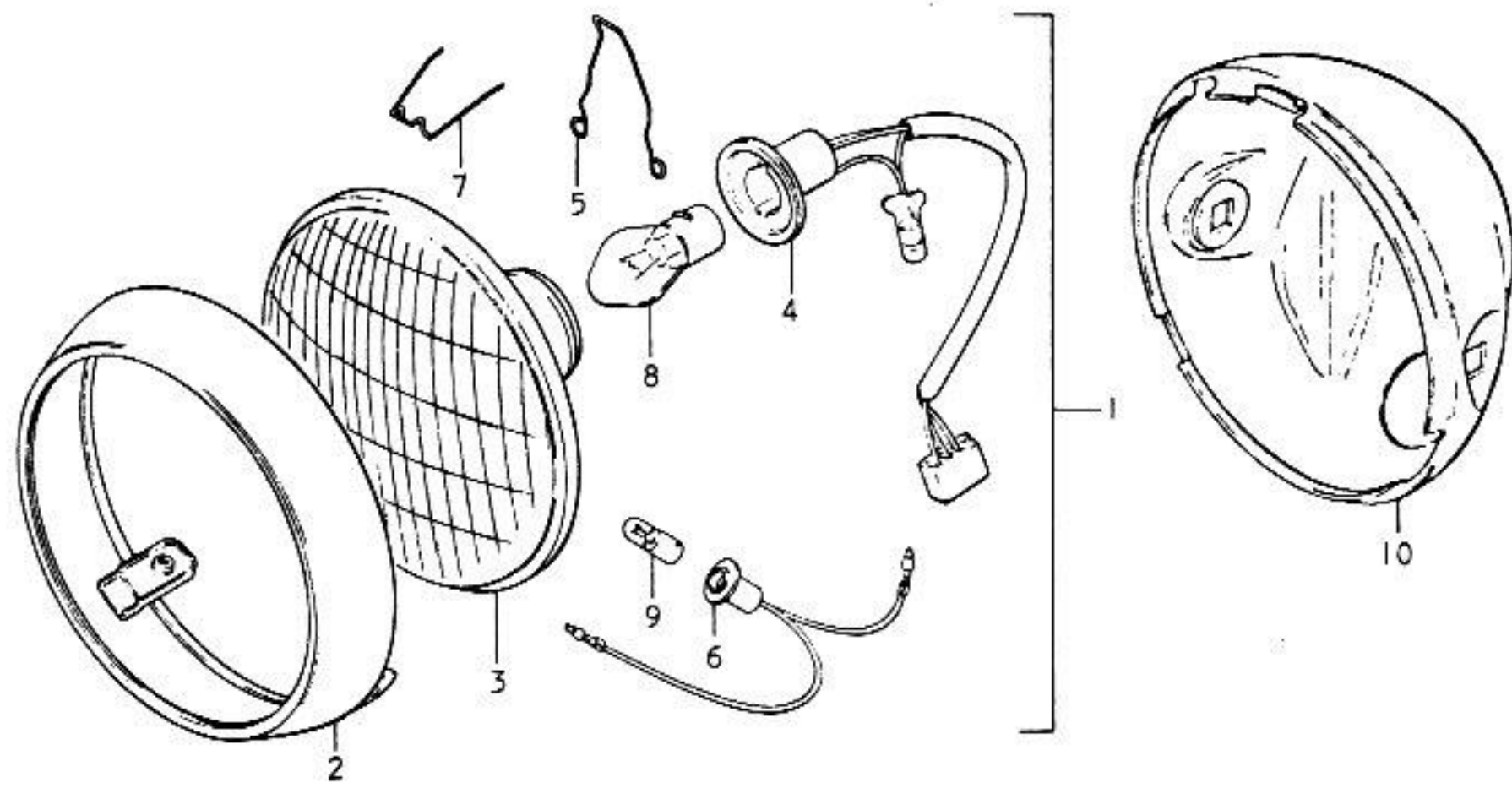


FIG.51 FOR YOUR MARKET (E21)

Ref.No.	Part No.	Description	Q'ty		Remarks
			A	B	
1	35100-36690-999	HEADLAMP ASSY	1	1	
2	35111-18660	•RIM	1	1	
3	35121-18660	•UNIT	1	1	
4	35171-36650	•SOCKET	1	1	
5	35172-28660	•CLAMP	1	1	
6	36118-28660	•SOCKET	1	1	
7	35128-18660	•CLAMP	1	1	
8	09471-12020	BULB (Executed locally) 12V, 35/35W	1	1	PHILIPS No.12728
9	09471-12032	BULB	1	1	12V, 4W
10-1	51810-33600	HOUSING, headlamp	1	-	
10-2	51810-27600-291	HOUSING, headlamp	-	1	
11-1	35710-18673-999	LAMP ASSY, rear combination	1	-	
11-2	35710-18674-999	LAMP ASSY, rear combination	-	1	
12	35712-27660	•LENS	1	1	
13	35715-27691	•HOUSING	1	1	
14	02111-04208	•SCREW	2	2	
15	35765-15010	•CUSHION	4	4	
16	35766-15010	•SPACER	4	4	
17	09471-12046	BULB (Executed locally)	1	1	PHILIPS/HELLA WK15857
18	35950-45010	REFLEX REFLECTOR, rear side	-	2	
19	08311-11058	NUT	-	2	

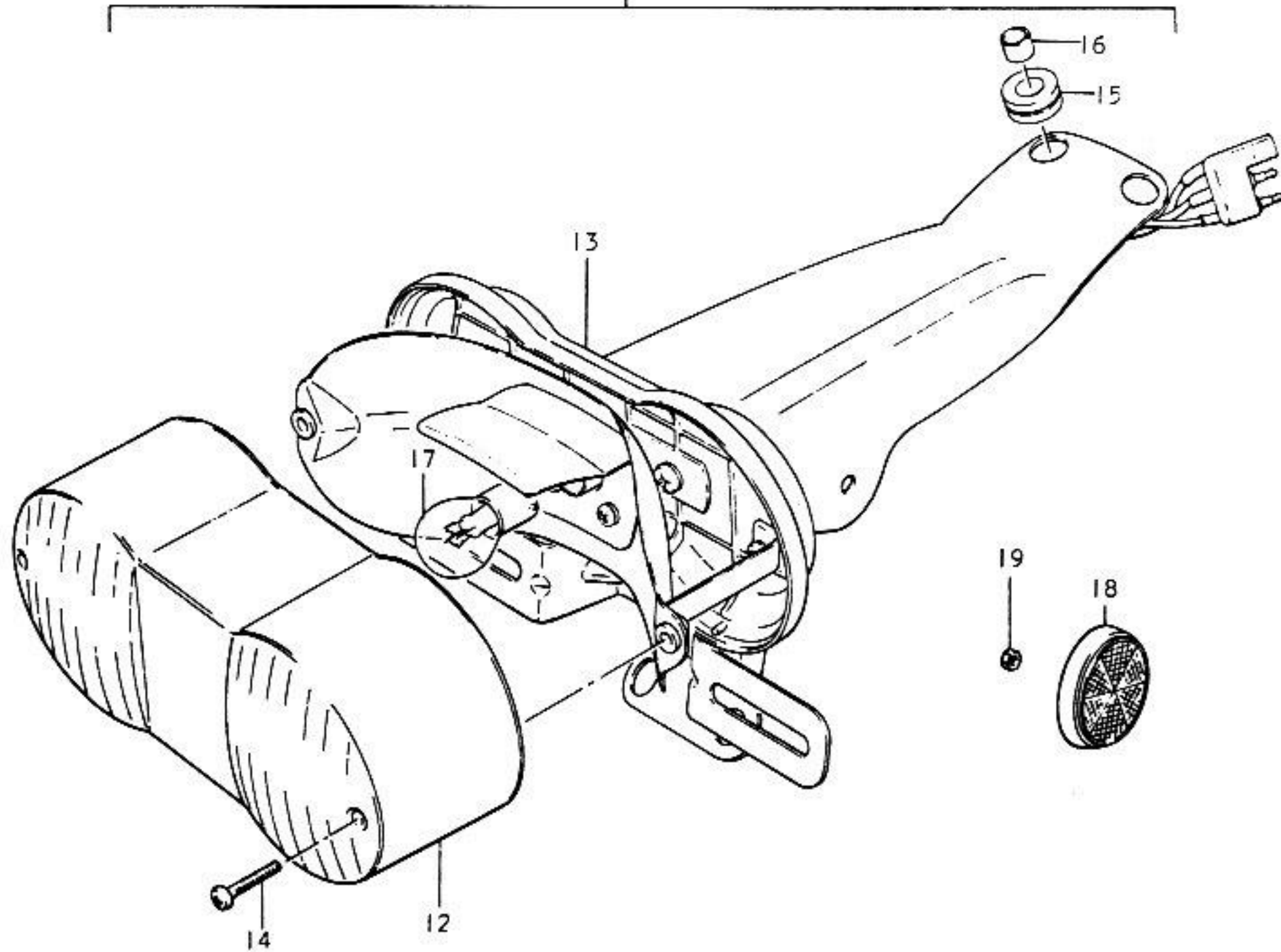


FIG.52 FOR YOUR MARKET (GT500A E21)

Ref.No.	Part No.	Description	Q'ty A	Remarks
1	35601-18670-999	LAMP ASSY, front turn signal	2	
2	35612-12611	•LENS	2	
3	35613-03610	•GASKET	2	
4	02133-03167	•SCREW	4	
5	08312-32108	•NUT	2	
6	09471-12045	BULB (Executed locally) 12V, 21W	2	PHILIPS/HELLA WK15814
7	35603-18660-999	LAMP ASSY, rear turn signal	2	
8	35612-12611	•LENS	2	
9	35613-03610	•GASKET	2	
10	02133-03167	•SCREW	4	
11	08312-32108	•NUT	2	
12	09471-12045	BULB (Executed locally) 12V, 21W	2	PHILIPS/HELLA WK15814

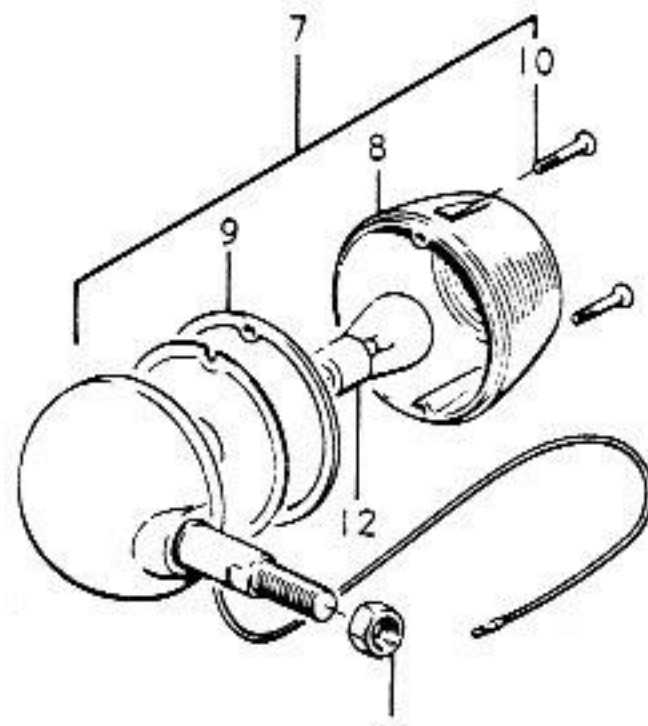
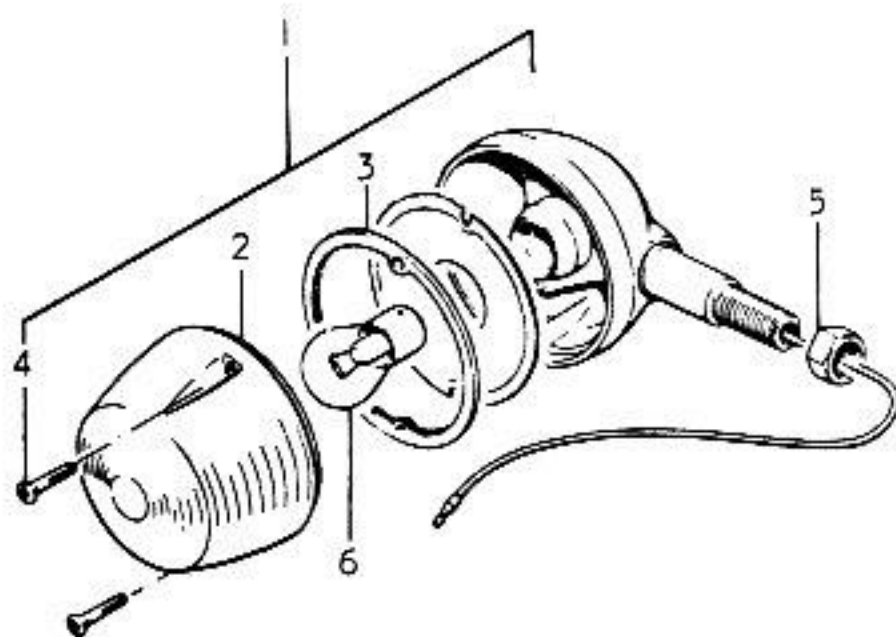
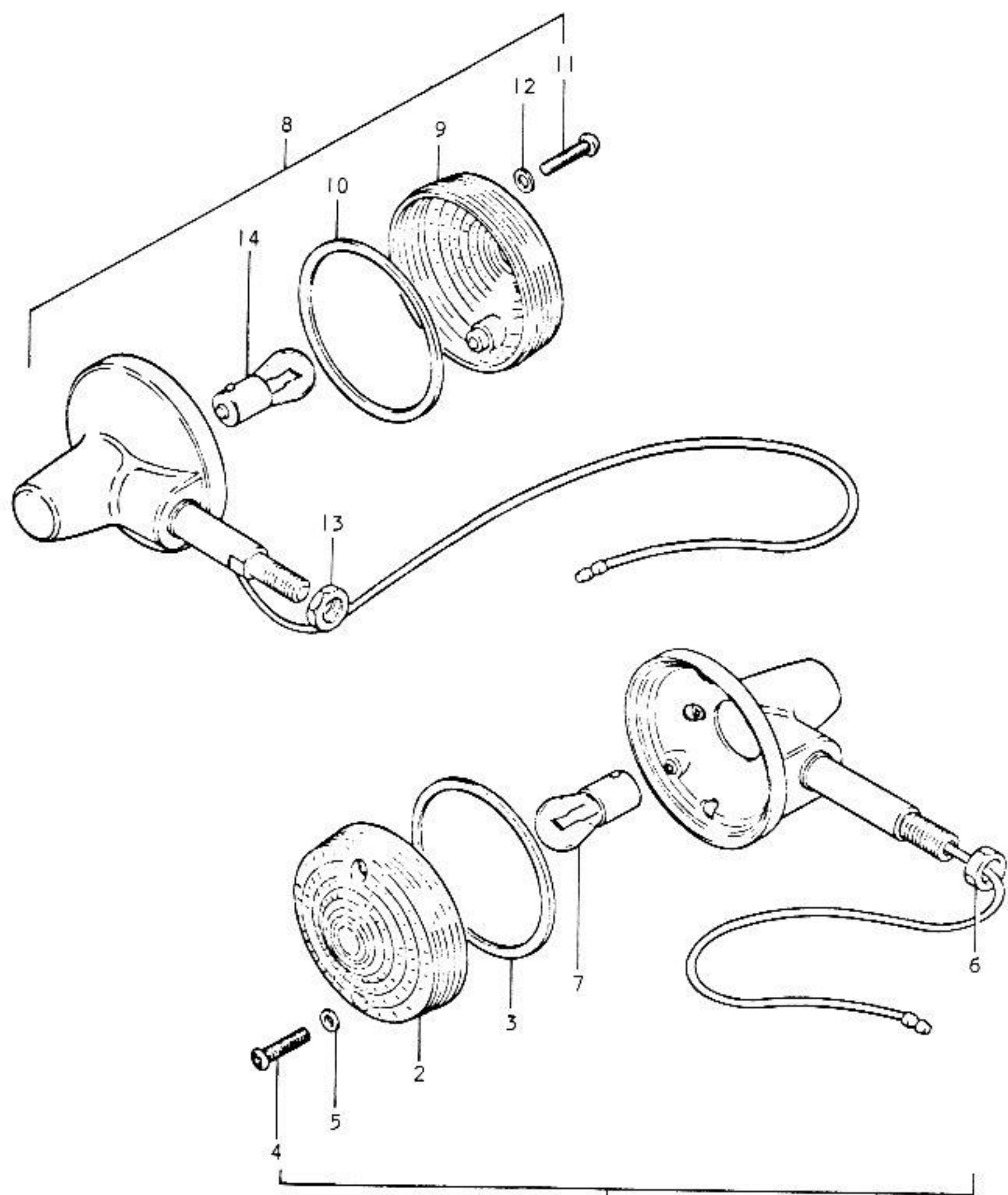
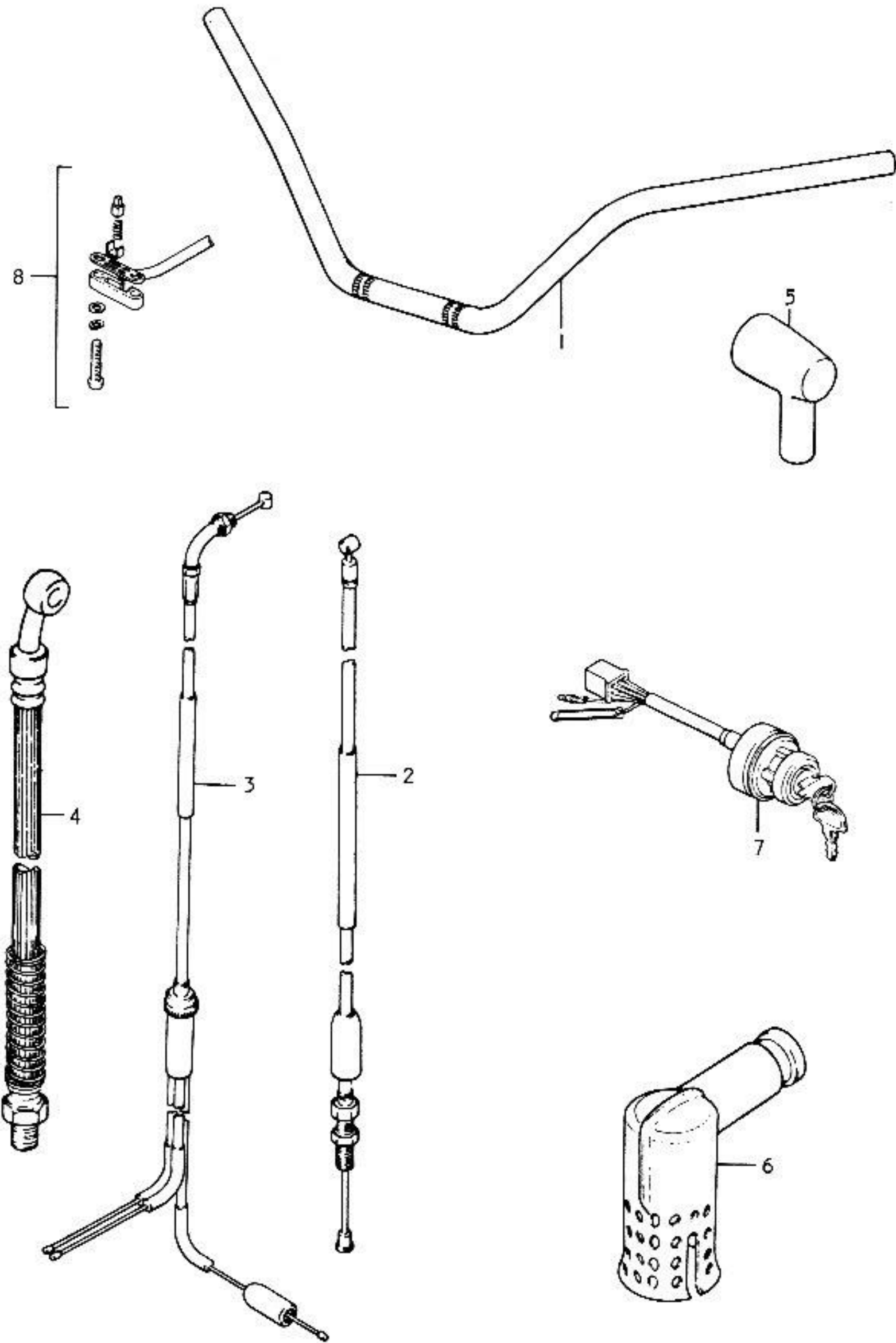


FIG. 53 FOR YOUR MARKET (GT500B E21)



Ref.No.	Part No.	Description	Q'ty B	Remarks
1	35601-18640-999	LAMP ASSY, front turn signal	2	
2	35612-28620	•LENS	2	
3	35613-28620	•GASKET	2	
4	02111-04258	•SCREW	4	
5	35627-43010	•GASKET	4	
6	08312-32108	•NUT	2	
7	09471-12045	BULB (Executed locally)	2	PHILIPS 12V, 21W WK15814
8	35603-18640-999	LAMP ASSY, rear turn signal	2	
9	35612-28620	•LENS	2	
10	35613-28620	•GASKET	2	
11	02111-04258	•SCREW	4	
12	35627-43010	•GASKET	4	
13	08312-32108	•NUT	2	
14	09471-12045	BULB (Executed locally)	2	PHILIPS 12V, 21W WK15814

FIG. 54 FOR YOUR MARKET (E21)



Ref.No.	Part No.	Description	Q'ty		Remarks
			A	B	
1	56111-33600	HANDLEBAR	1	1	FLAT HANDLEBAR
2	58200-15100	CABLE, clutch	1	1	
3	58300-15600	CABLE, throttle	1	1	
4	59480-34012	HOSE, brake No.1	1	1	
5	59711-33600	BOOT, master cylinder	1	1	
6	33510-22600	CAP ASSY, spark plug	2	2	to 33510-22610
7-1	37110-28654	SWITCH ASSY, ignition	1	-	from 37110-28653 to 37110-28655
7-2	37110-28655	SWITCH ASSY, ignition	-	1	
8	57460-33700	SWITCH ASSY, engine stop	1	1	

FIG. 55 FOR YOUR MARKET (E21)

Ref.No.	Part No.	Description	Q'ty		Remarks
			A	B	
1	57700-18670	SWITCH ASSY, handle LH	1	1	
2	57712-33011	•KNOB	1	1	
3	57713-33010	•KNOB	1	1	
4	57714-33010	•PLATE	2	2	
5	02321-03088	•SCREW	2	2	
6	57742-33010	•KNOB, turn signal	1	1	
7	02121-03068	•SCREW	1	1	
8	57850-31010	•BUTTON, horn	1	1	
9	57761-26010	•SPRING, horn button	1	1	
10	02111-05207	•SCREW	2	2	
11-1	63110-15001	FENDER, rear	1	-	to 63110-15700
11-2	63110-15700	FENDER, rear	-	1	

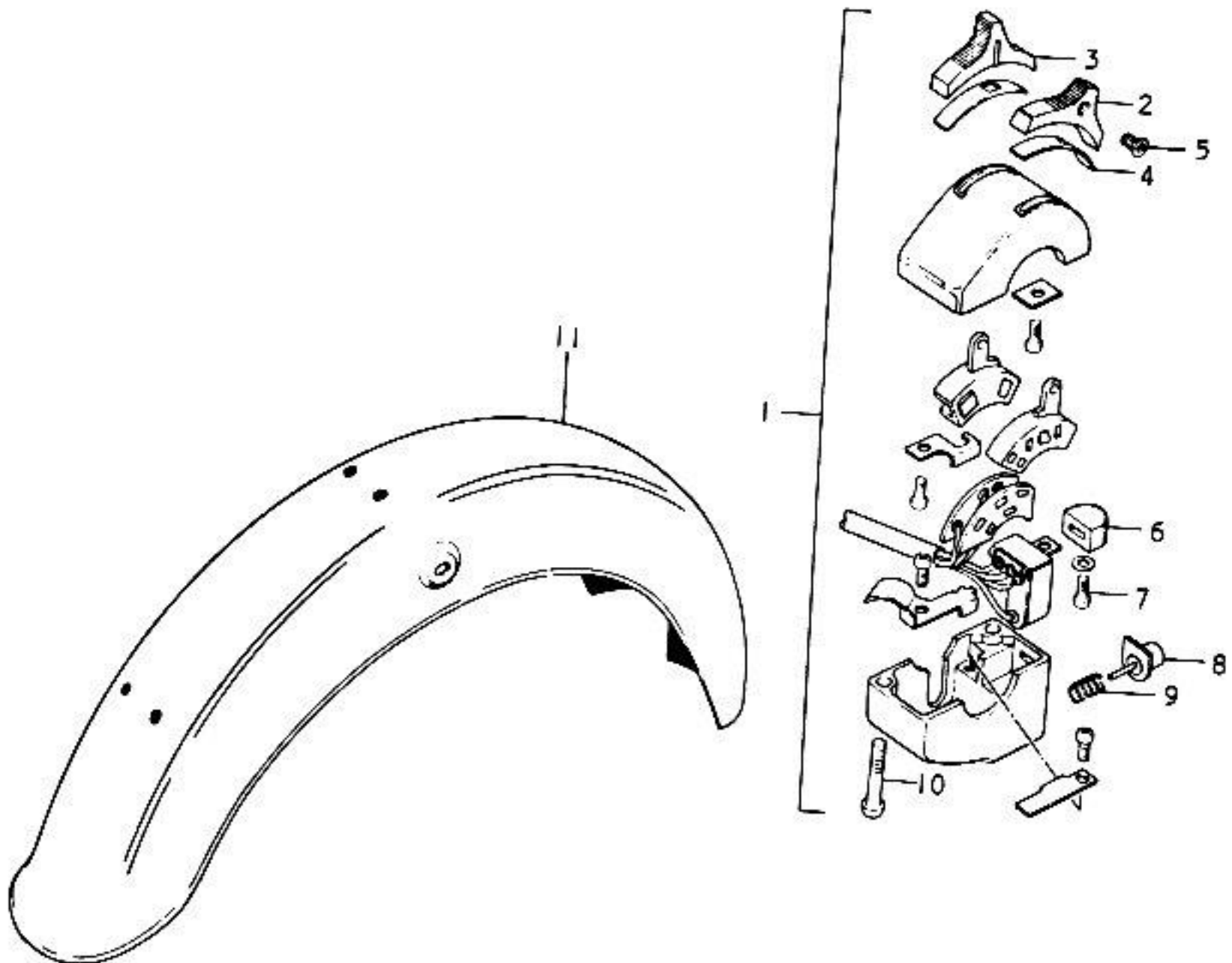


FIG.56 FOR YOUR MARKET (GT500B E22)

Ref.No.	Part No.	Description	Q'ty B	Remarks
1	14301-15601	MUFFLER ASSY, RH	1	
2	14302-15601	MUFFLER ASSY, LH	1	
3	14510-15004	•PIPE, baffle	2	
4	09128-05004	•SCREW	2	
5	08321-21058	•LOCK WASHER	2	
6	33510-22610	CAP, spark plug	2	

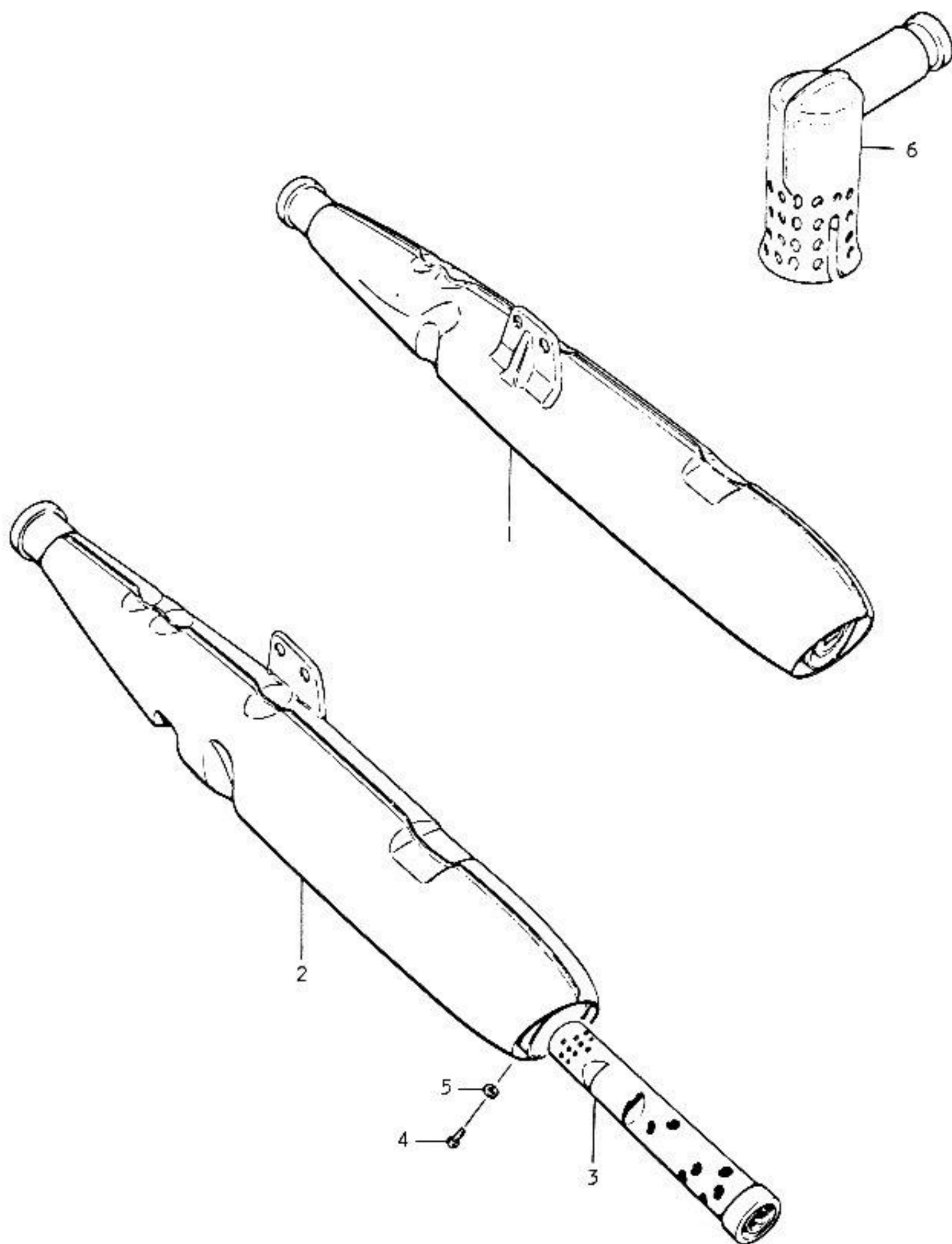


FIG. 57 FOR YOUR MARKET (GT500B E22)

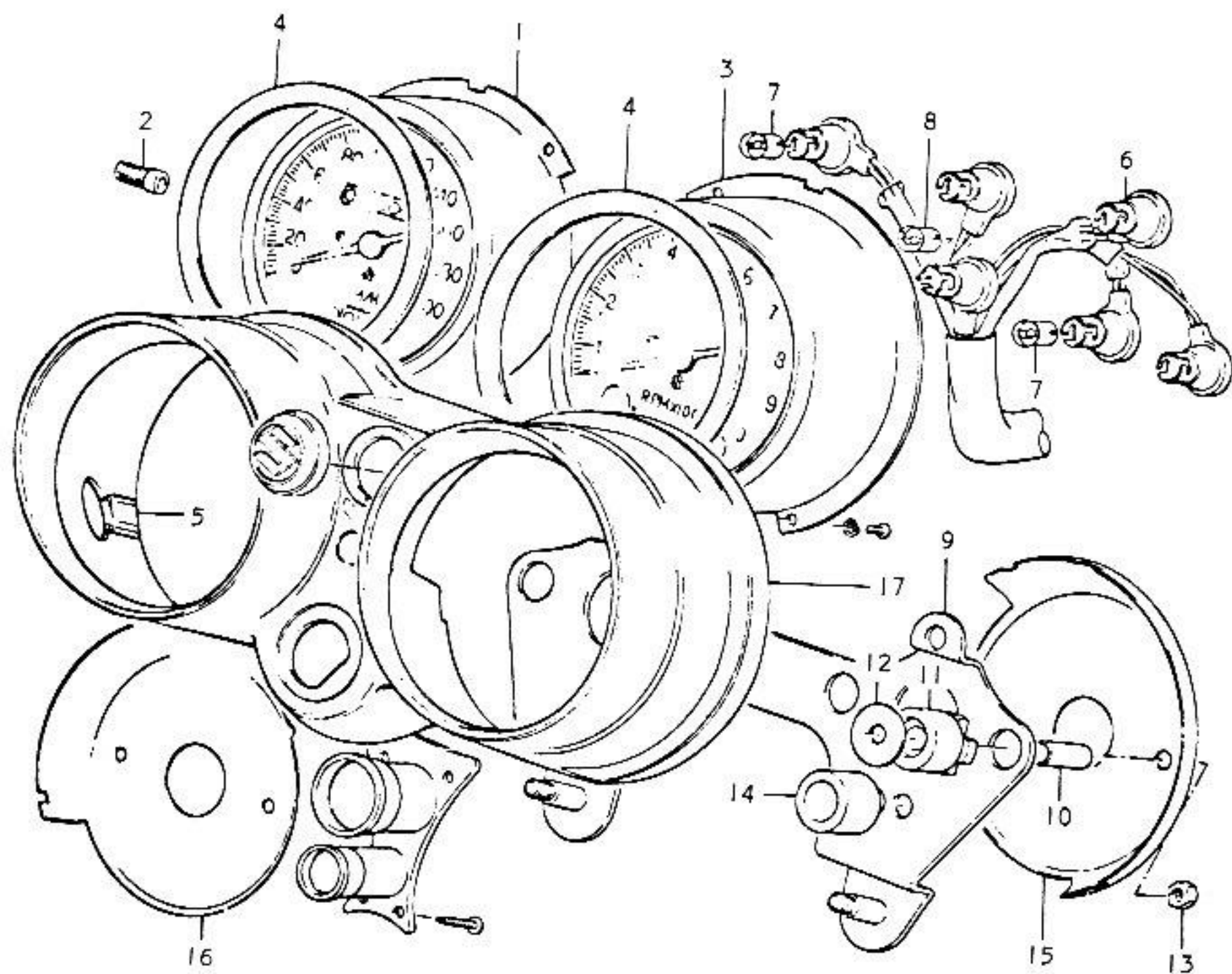
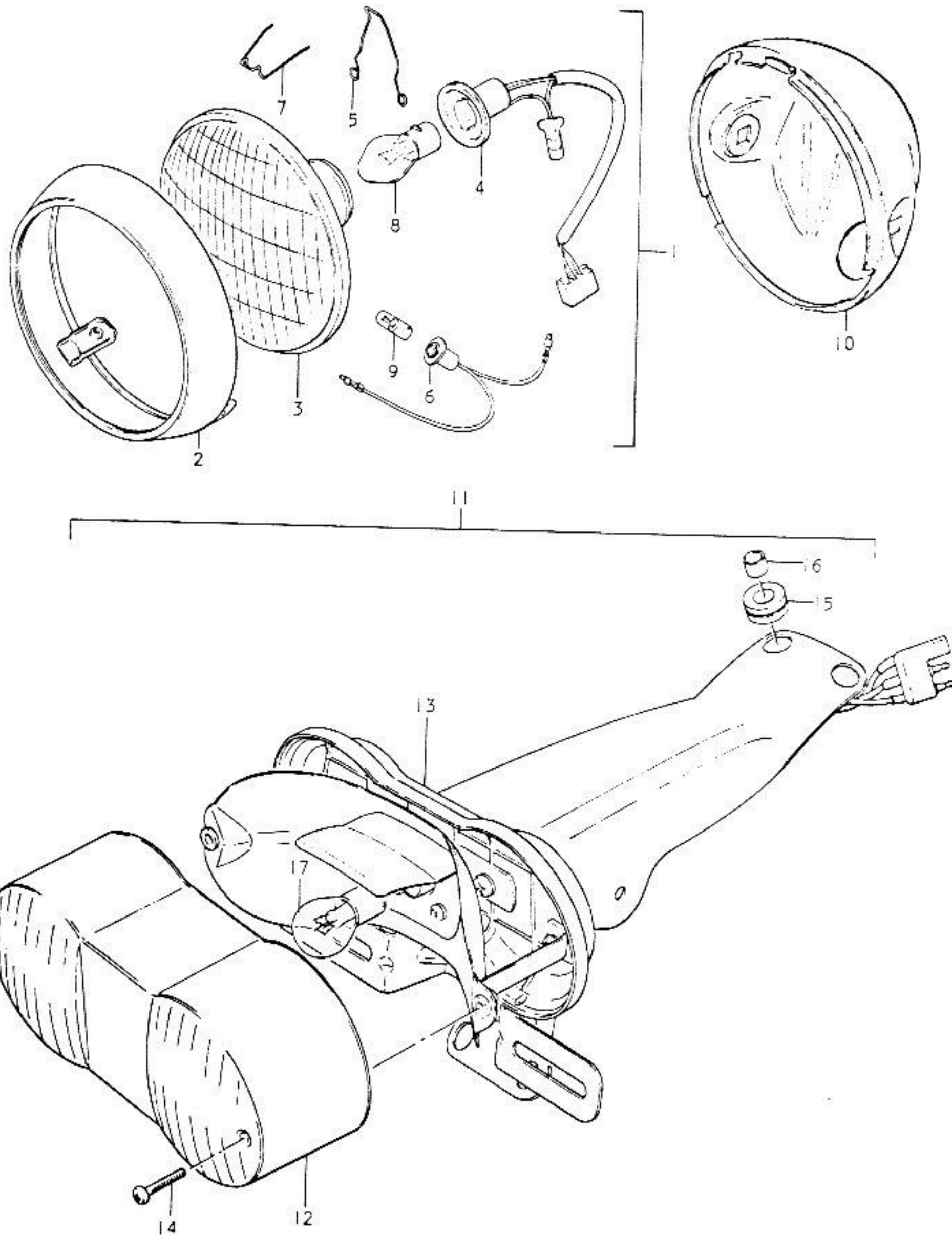


FIG. 57 FOR YOUR MARKET (E22)

Ref.No.	Part No.	Description	Q'ty		Remarks
			A	B	
	34100-15640	SPEEDOMETER / TACHOMETER ASSY	1	-	
	34100-15642	SPEEDOMETER / TACHOMETER ASSY	-	1	
1-1	34110-33622	* SPEEDOMETER	1	-	
1-2	34110-15691	* SPEEDOMETER	-	1	
2	34980-33600	** KNOB	1	1	
3	34210-15630	* TACHOMETER	1	1	
4	34181-33600	* GASKET	2	2	
5	34192-33600	* CAP	1	1	
6	34170-33020	* SOCKET	1	1	
7	09471-12001	* BULB	1	1	12V, 3.4W
8	09471-12004	* BULB	4	4	12V, 1.7W
9	34950-33601	* BRACKET	1	1	
10	34972-16420	* SPACER	4	4	
11	34955-16420	* CUSHION	4	4	
12	09160-05006	* WASHER	4	4	
13	08311-11068	* NUT	4	4	
14	34956-33600	* CUSHION	2	2	
15	34961-33602	* PLATE, tachometer	1	1	
16	34960-33602	* PLATE, speedometer	1	1	
17	34051-33600	* CASE, meter	1	1	

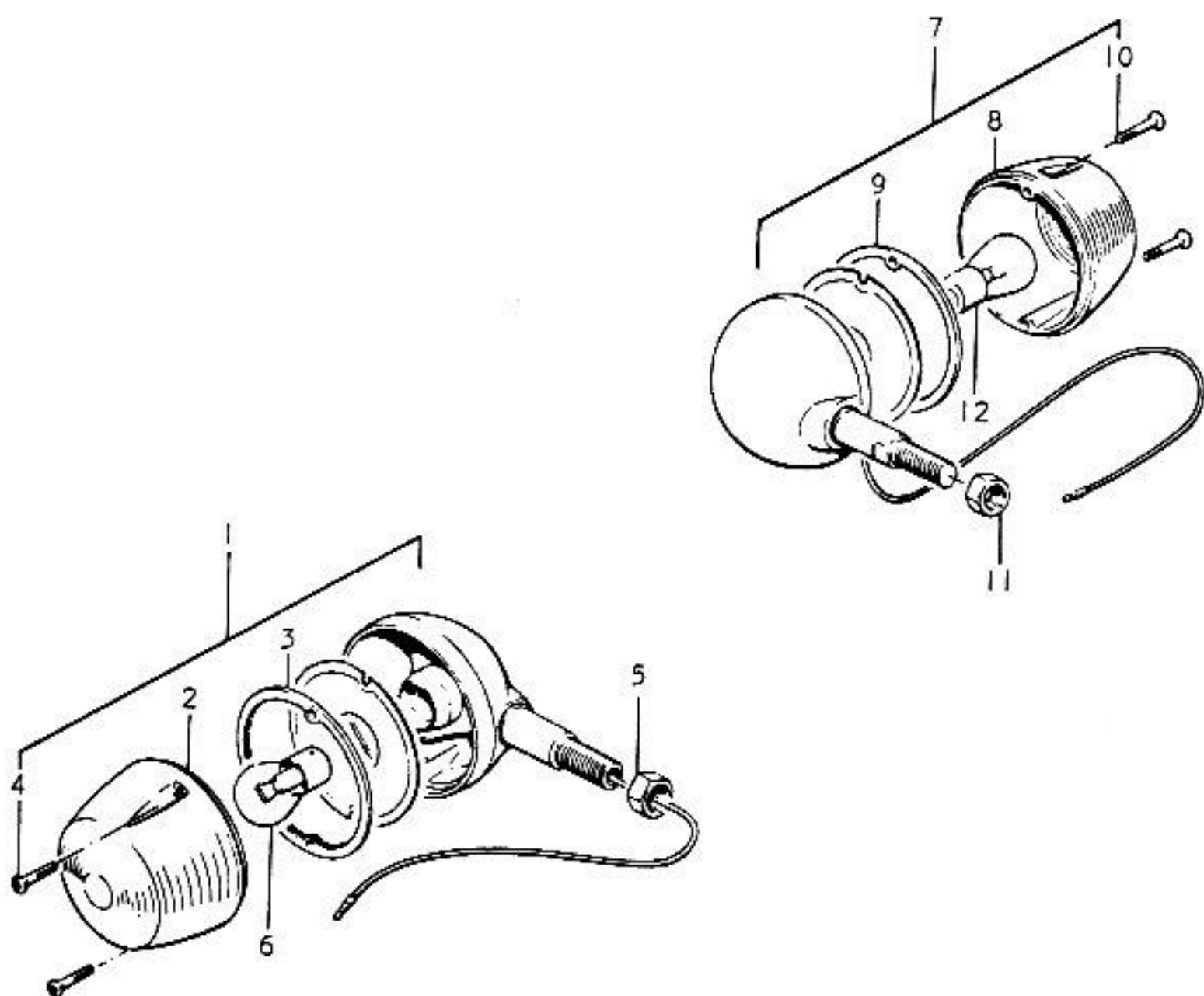
FIG.58 FOR YOUR MARKET (E22)



Ref.No.	Part No.	Description	Q'ty		Remarks
			A	B	
1	35100-36671-999	HEADLAMP ASSY	1	1	
2	35111-18660	•RIM	1	1	
3	35121-36671	•UNIT	1	1	
4	35171-36650	•CLAMP	1	1	
5	35172-28660	•CLAMP	1	1	
6	36118-28660	•SOCKET	1	1	
7	35128-18660	•CLAMP	1	1	
8	09471-12020	BULB (Executed locally) 12V, 35/35W	1	1	PHILIPS No.12728
9	09471-12032	BULB	1	1	12V, 3W
10-1	51810-33600	HOUSING, headlamp	1	-	
10-2	51810-27600-291	HOUSING, headlamp	-	1	
11-1	35710-18650-999	LAMP ASSY, rear combination	1	-	
11-2	35710-18651-999	LAMP ASSY, rear combination	-	1	
12	35712-27660	•LENS	1	1	
13	35715-27691	•HOUSING	1	1	
14	02111-04208	•SCREW	2	2	
15	35765-15010	•CUSHION	4	4	
16	35766-15010	•SPACER	4	4	
17	09471-12046	BULB (Executed locally) 12V, 21/5W	1	1	PHILIPS/HELLA W.K15857

FIG.59 FOR YOUR MARKET (GT500A E22)

Ref.No.	Part No.	Description	Q'ty A	Remarks
1	35601-18670-999	LAMP ASSY, front turn signal	2	
2	35612-12611	·LENS	2	
3	35613-03610	·GASKET	2	
4	02133-03167	·SCREW	4	
5	08312-32108	·NUT	2	
6	09471-12045	BULB (Executed locally) 12V, 21W	2	PHILIPS/HELLA WVK15814
7	35603-18660-999	LAMP ASSY, rear turn signal	2	
8	35612-12611	·LENS	2	
9	35613-03610	·GASKET	2	
10	02133-03167	·SCREW	4	
11	08312-32108	·NUT	2	
12	09471-12045	BULB (Executed locally) 12V, 21W	2	PHILIPS/HELLA WVK15814



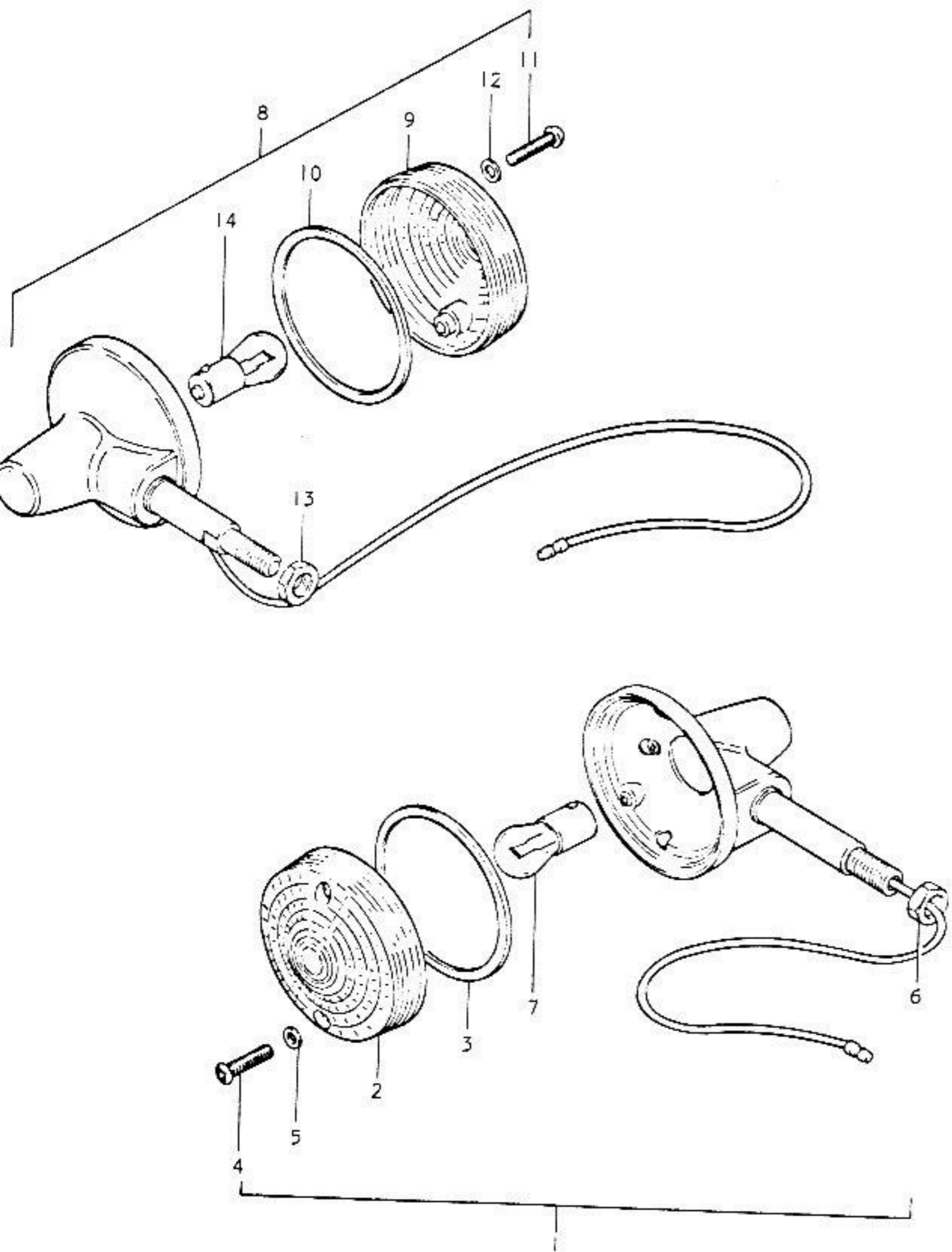
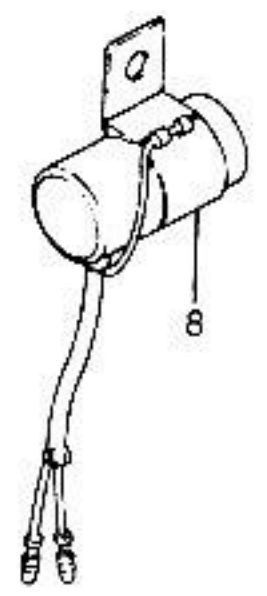
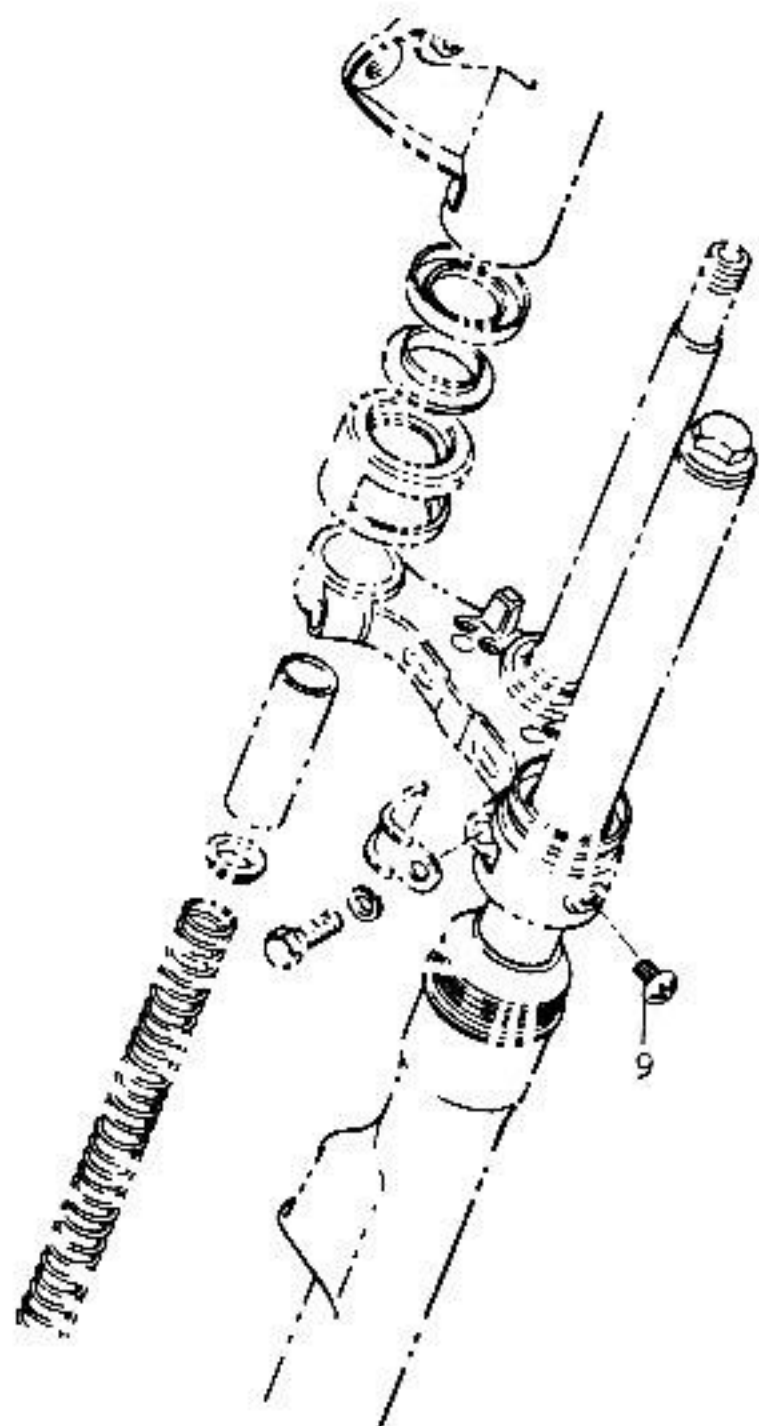
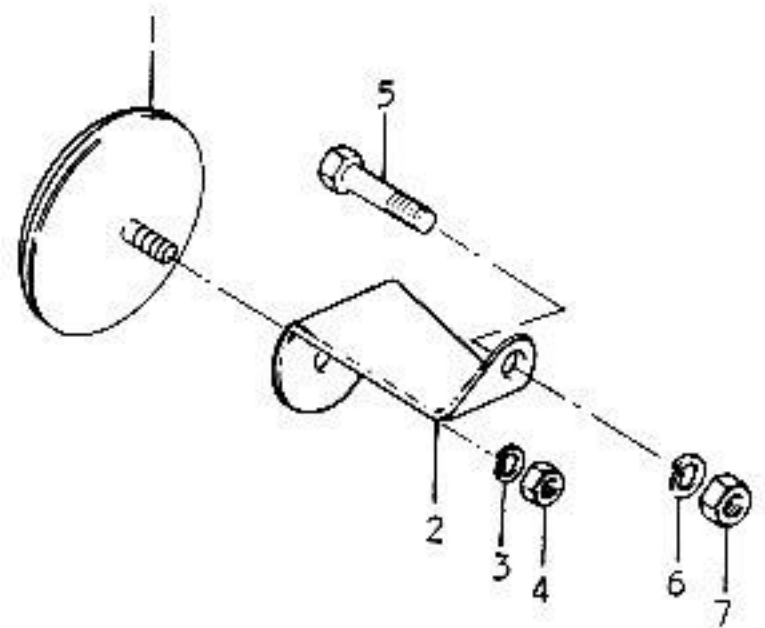


FIG. 60 FOR YOUR MARKET (GT500B E22)

Ref.No.	Part No.	Description	Q'ty B	Remarks
1	35601-18650-999	LAMP ASSY, front turn signal	2	
2	35612-28620	•LENS	2	
3	35613-28620	•GASKET	2	
4	02111-04258	•SCREW	4	
5	35627-43010	•GASKET	4	
6	08312-32108	•NUT	2	
7	09471-12045	BULB (Executed locally)	2	PHILIPS 12V, 21W WK15814
8	35603-18650-999	LAMP ASSY, rear turn signal	2	
9	35612-28620	•LENS	2	
10	35613-28620	•GASKET	2	
11	02111-04258	•SCREW	4	
12	35627-43010	•GASKET	4	
13	08312-32108	•NUT	2	
14	09471-12045	BULB (Executed locally)	2	PHILIPS 12V, 21W WK15814

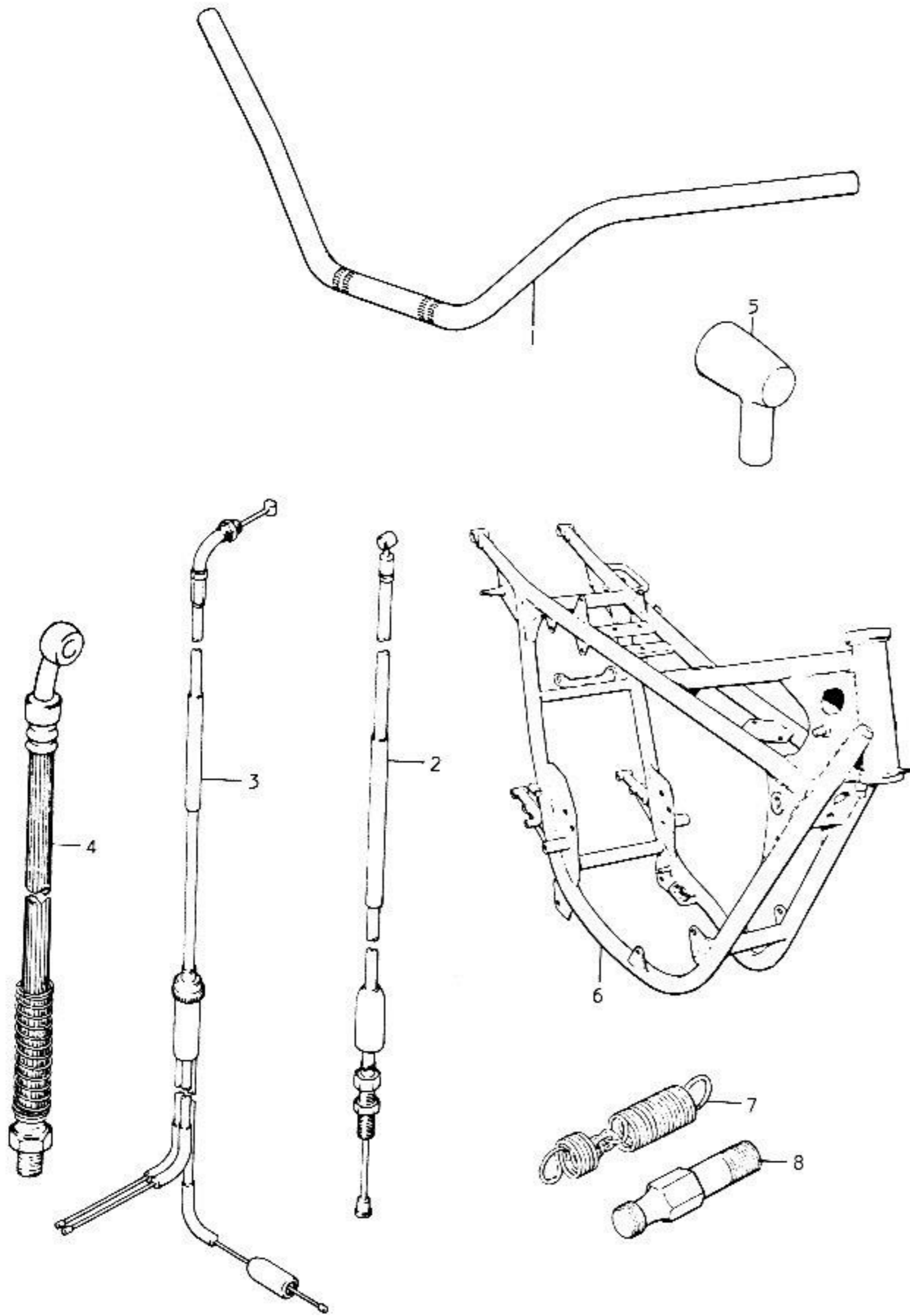
FIG. 61 FOR YOUR MARKET (E22)

Ref.No.	Part No.	Description	Q'ty		Remarks
			A	B	
1	35970-31610	REFLEX REFLECTOR ASSY, rear	-	1	
2	35974-36600	BRACKET	-	1	
3	08321-21058	LOCK WASHER	-	1	
4	08311-11058	NUT	-	1	
5	01112-06128	BOLT	-	1	
6	08321-21068	LOCK WASHER	-	1	
7	08311-11068	NUT	-	1	
8	38610-32210	RELAY, turn signal	1	1	
9	02141-05067	SCREW, front fork side	2	2	



GT50C

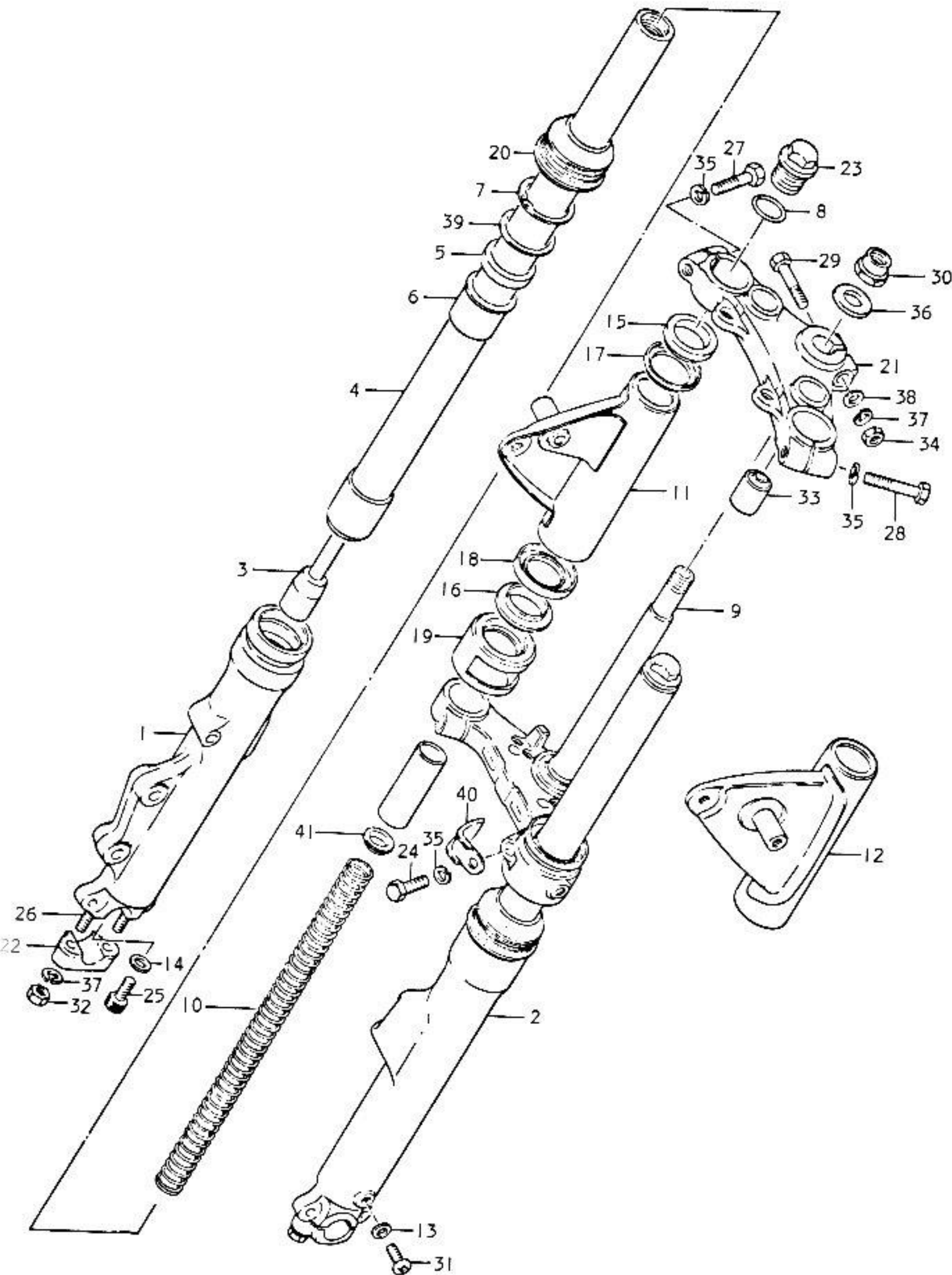
FIG.62 FOR YOUR MARKET (E22)



Ref.No.	Part No.	Description	Q'ty		Remarks
			A	B	
1	56111-33600	HANDLEBAR	1	1	} FLAT HANDLEBAR
2	58200-15100	CABLE, clutch	1	1	
3	58300-15600	CABLE, throttle	1	1	
4	59480-34012	HOSE, brake No.1	1	1	
5	59711-33600	BOOT, master cylinder	1	1	
6	41100-15631-019	FRAME	1	1	
7	42421-31000	SPRING, prop stand	1	-	
8	09119-10014	BOLT	2	-	

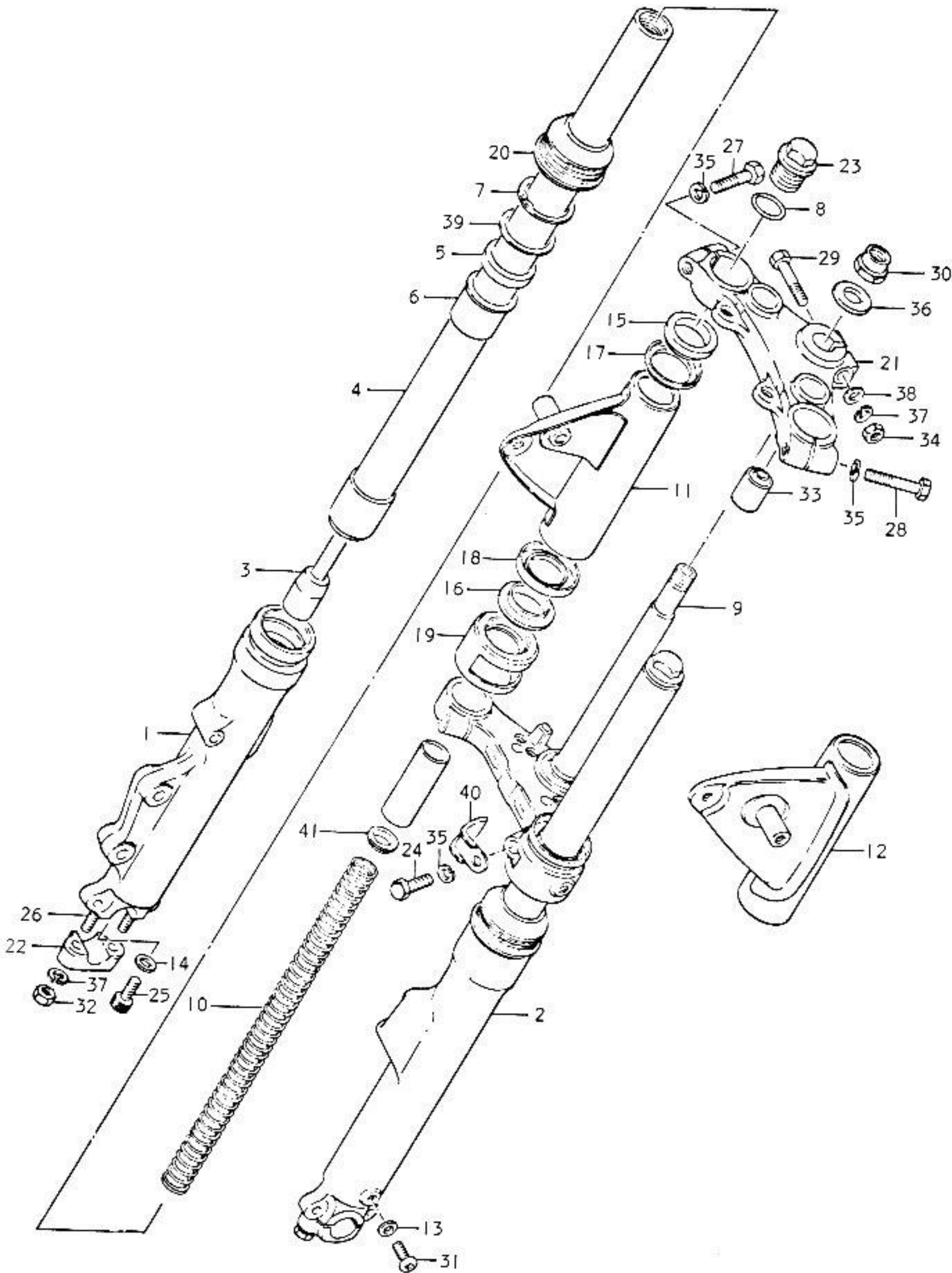
FIG.63 FOR YOUR MARKET (E22)

FIG.63 FOR YOUR MARKET (E22)



Ref.No.	Part No.	Description	Q'ty	
			A	B
	51100-15640-019	FRONT FORK ASSY	1	-
	51100-15641-291	FRONT FORK ASSY	-	1
1	51131-34710	•OUTER TUBE, RH	1	1
2	51131-34010	•OUTER TUBE, LH	1	1
3	51146-34010	•PIECE, oil lock	2	2
4	51110-15210	•INNER TUBE	2	2
5	51153-34010	•OIL SEAL	2	2
6	51152-34010	•GUIDE, inner tube	2	2
7	51156-34010	•CIRCLIP	2	2
8	51181-18510	•O RING	2	2
9	51410-15640	•STEERING STEM	1	1
10	51171-34110	•SPRING	2	2
11-1	51530-33110	•COVER, fork RH	1	-
11-2	51530-33611-291	•COVER, fork RH	-	1
12-1	51540-33110	•COVER, fork LH	1	-
12-2	51540-33611-291	•COVER, fork LH	-	1
13	51183-03010	•GASKET	2	2
14	51148-34010	•GASKET	2	2
15	51556-31010	•CUSHION, cover guide	2	2
16	51553-31010	•CUSHION, cover guide	2	2
17	51555-31010	•GUIDE, cover upper	2	2
18	51551-31010	•GUIDE, cover lower	2	2
19	51575-37010	•COVER, steering stem	2	2
20	51557-34110	•COVER, dust	2	2
21	51311-15210-019	•STEERING STEM HEAD	1	1

FIG.63 FOR YOUR MARKET (E22)



Ref.No.	Part No.	Description	Q'ty	
			A	B
22	51132-31010	•HOLDER, axle	2	2
23	51351-31010	•CAP, inner tube	2	2
24	01122-10408	•BOLT	2	2
25	51147-31010	•BOLT, oil lock piece	2	2
26	01421-08308	•BOLT	4	4
27	51451-34710	•BOLT	1	1
28	01121-10407	•BOLT	1	1
29	01122-08508	•BOLT	1	1
30	51353-31710	•NUT	1	1
31	02111-04087	•SCREW	2	2
32	09140-08005	•NUT	4	4
33	09319-10009	•BUSHING	2	2
34	08312-11088	•NUT	1	1
35	08321-21108	•LOCK WASHER	4	4
36	51356-11010	•WASHER	1	1
37	08321-21088	•LOCK WASHER	5	5
38	08322-21088	•WASHER	1	1
39	51158-34010	•WASHER	2	2
40	34991-18110	•CLIP	1	1
41	51172-34110	•GUIDE, spring	2	2

FIG.64 FOR YOUR MARKET (E22)

Ref.No.	Part No.	Description	Q'ty	
			A	B
1	57700-18670	SWITCH ASSY, handle LH	1	1
2	57712-33011	•KNOB	1	1
3	57713-33010	•KNOB	1	1
4	57714-33010	•PLATE	2	2
5	02321-03088	•SCREW	2	2
6	57742-33010	•KNOB, turn signal	1	1
7	02121-03068	•SCREW	1	1
8	57850-31010	•BUTTON, horn	1	1
9	57761-26010	•SPRING, horn button	1	1
10	02111-05207	•SCREW	2	2

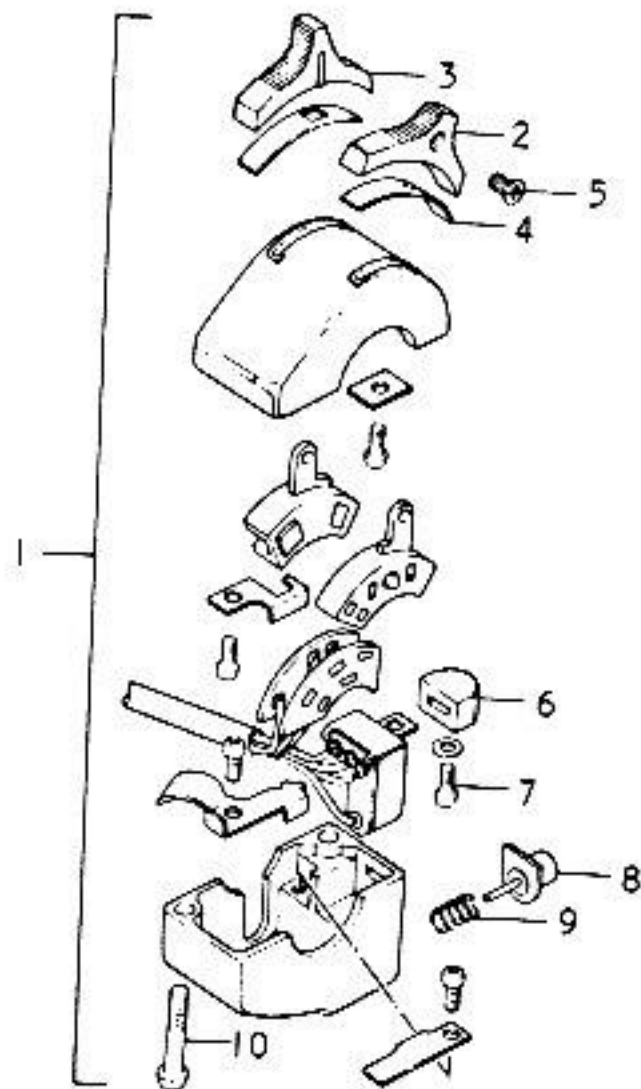


FIG. 65 FOR YOUR MARKET (E22)

Ref.No.	Part No.	Description	Q'ty		Remarks
			A	B	
1	53100-31610	FENDER, front	-	1	
2-1	63110-15001	FENDER, rear	1	-	to 63110-15700
2-2	63110-15700	FENDER, rear	-	1	
3	61310-15600	CASE, chain	-	1	
4	09159-12004	NUT, front axle	-	1	
5	08322-11148	WASHER	-	1	
6	09159-16002	NUT, rear axle	-	1	
7	08322-11168	WASHER	-	2	

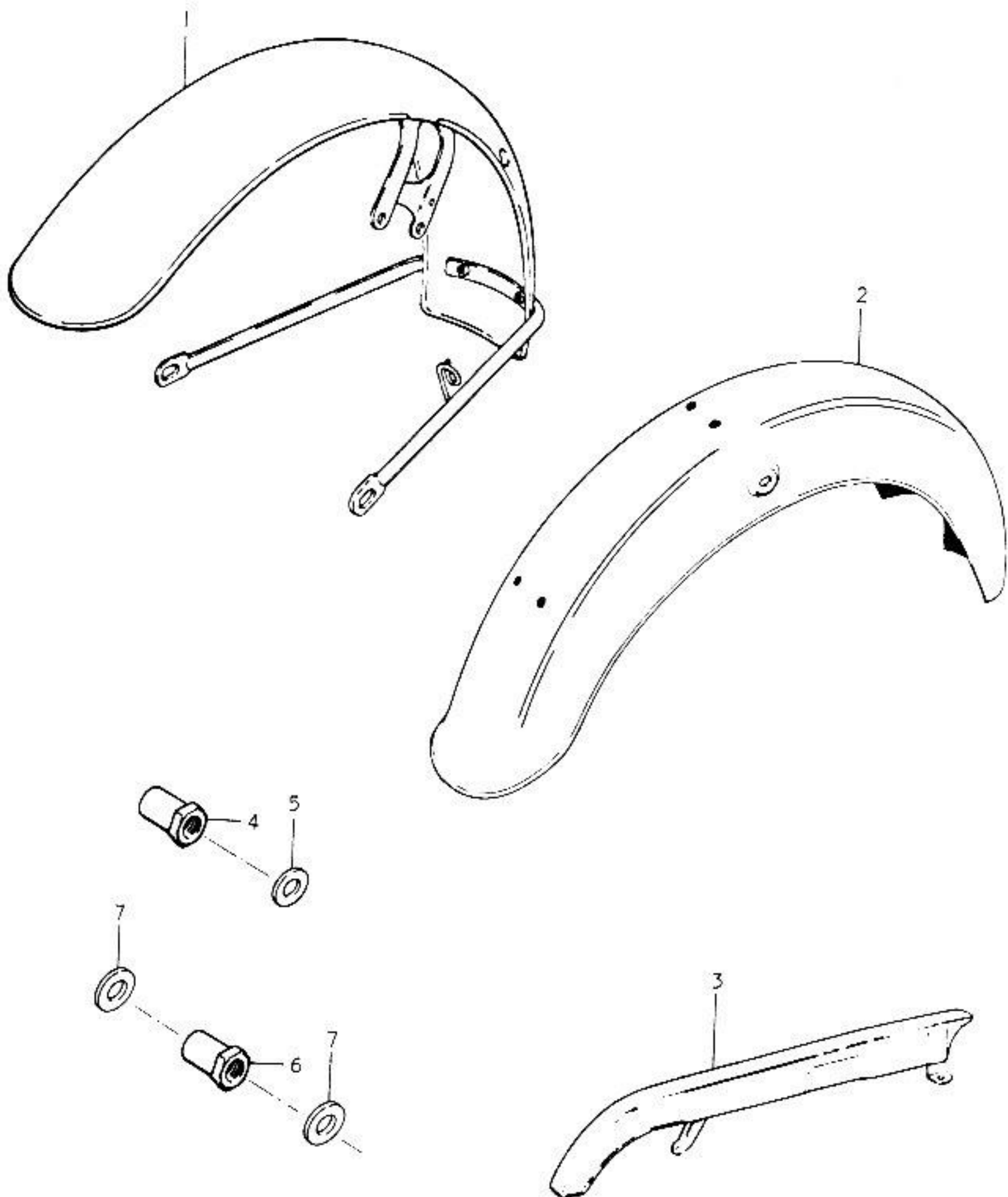


FIG. 66 FOR YOUR MARKET (E24)

Ref.No.	Part No.	Description	Q'ty		Remarks
			A	B	
1	56500-31601	MIRROR ASSY, rear view RH	1	1	
2	56600-31601	MIRROR ASSY, rear view LH	1	1	
3	57460-33700	SWITCH ASSY, engine stop	1	1	
4	61100-15830-019	REAR SWINGING ARM	1	1	to 61100-15831-019
5	43610-03001	BAR, pillion footrest	2	2	
6	43612-03001	RUBBER	2	2	
7	09160-19006	WASHER	2	2	
8	09200-06010	PIN	2	2	
9	04111-20208	COTTER PIN	2	2	
10	01122-10168	BOLT	-	2	
11	08321-21108	LOCK WASHER	-	2	

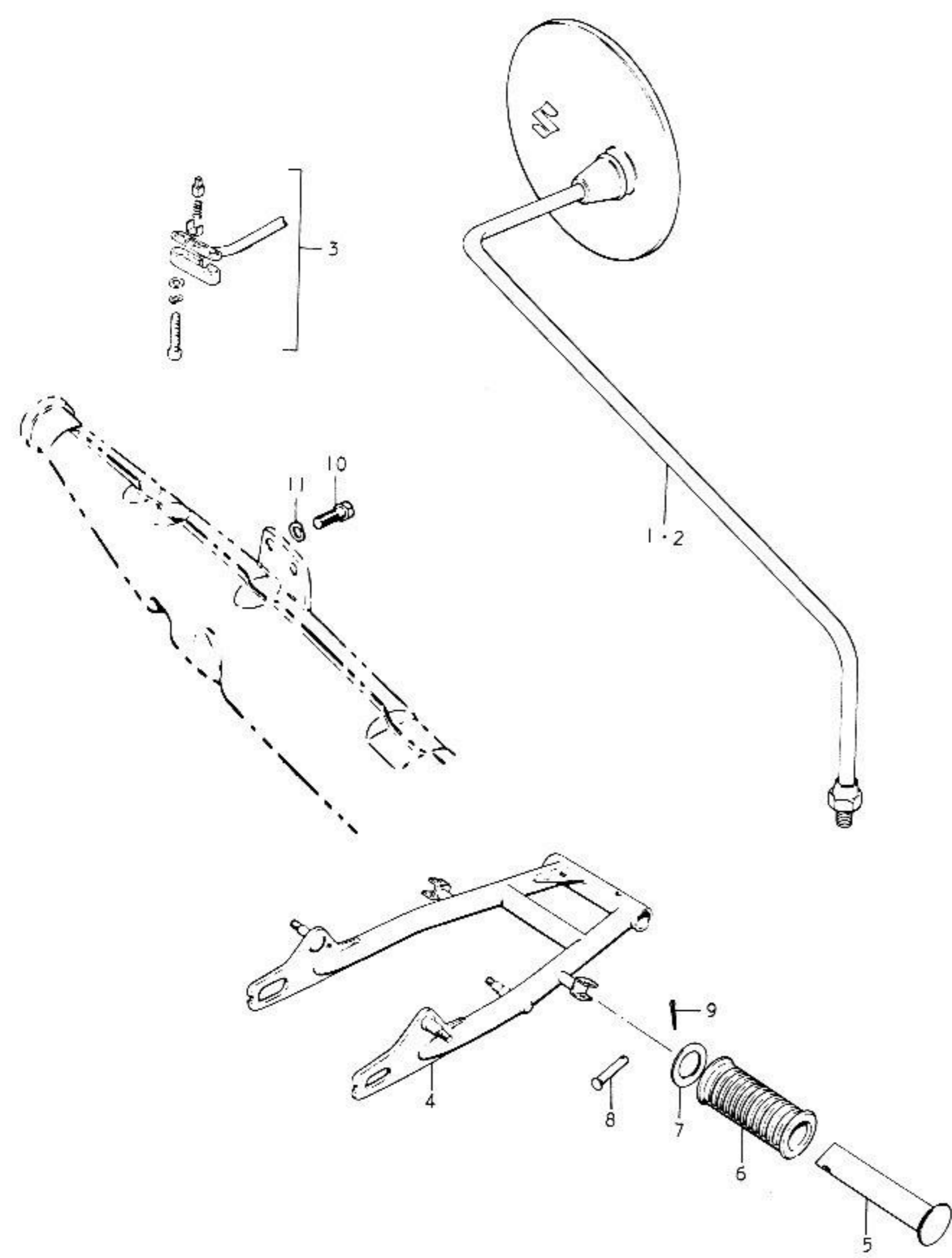
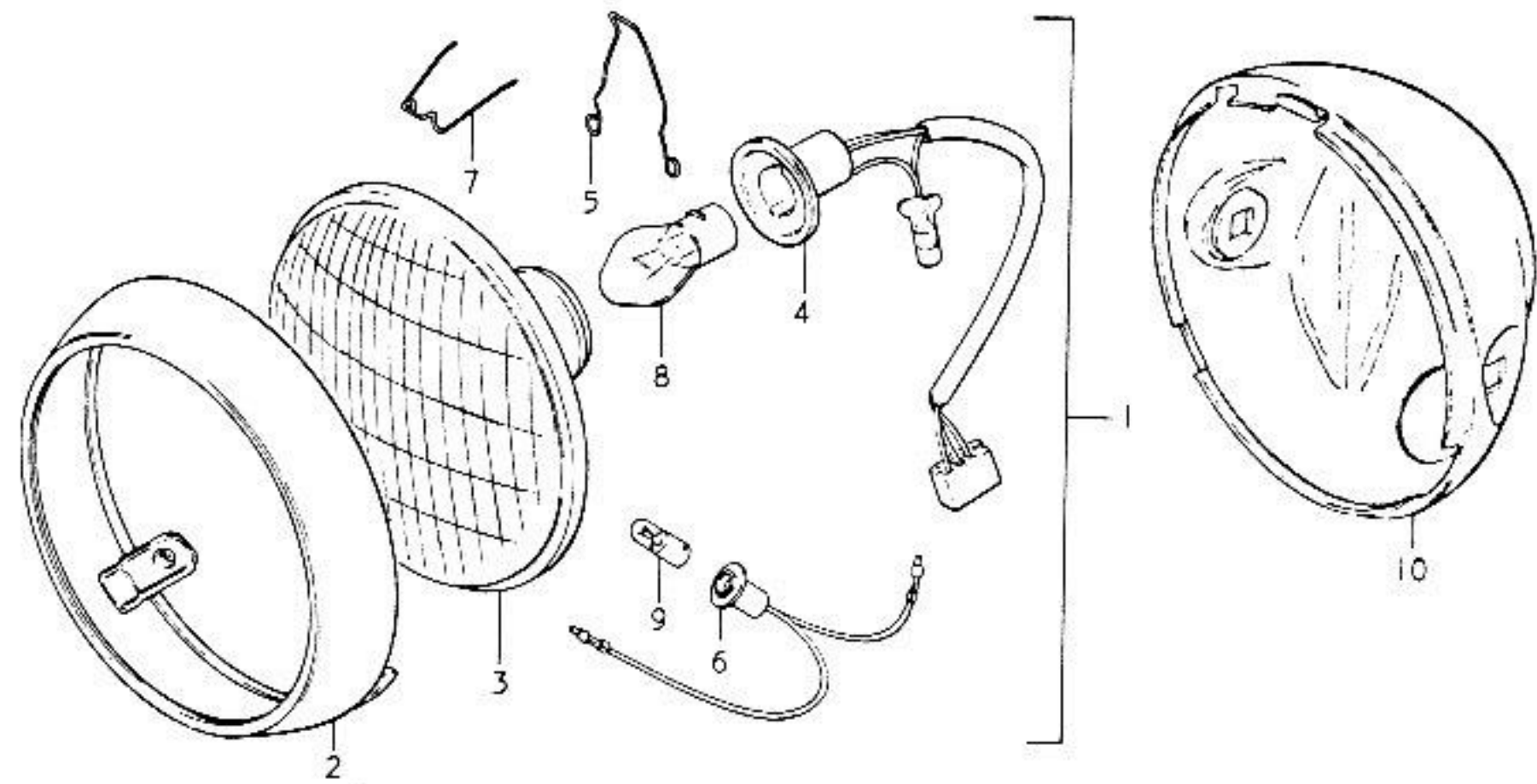


FIG.67 FOR YOUR MARKET (E25)



Ref.No.	Part No.	Description	Q'ty		Remarks
			A	B	
1	35100-36690-999	HEADLAMP ASSY	1	1	
2	35111-18660	•RIM	1	1	
3	35121-18660	•UNIT	1	1	
4	35171-36650	•SOCKET	1	1	
5	35172-28660	•CLAMP	1	1	
6	36118-28660	•SOCKET	1	1	
7	35128-18660	•CLAMP	1	1	
8	09471-12020	BULB (Executed locally) 12V, 35/35W	1	1	PHILIPS No.12728
9	09471-12032	BULB	1	1	12V, 4W
10-1	51810-33600	HOUSING, headlamp	1	-	
10-2	51810-27600-291	HOUSING, headlamp	-	1	
11-1	35710-18673-999	LAMP ASSY, rear combination	1	-	
11-2	35710-33652-999	LAMP ASSY, rear combination	-	1	
12	35712-27660	•LENS	1	1	
13	35715-27691	•HOUSING	1	1	
14	02111-04208	•SCREW	2	2	
15	35765-15010	•CUSHION	4	4	
16	35766-15010	•SPACER	4	4	
17	09471-12046	BULB (Executed locally) 12V, 21/5W	1	1	PHILIPS/HELLA WVK15857

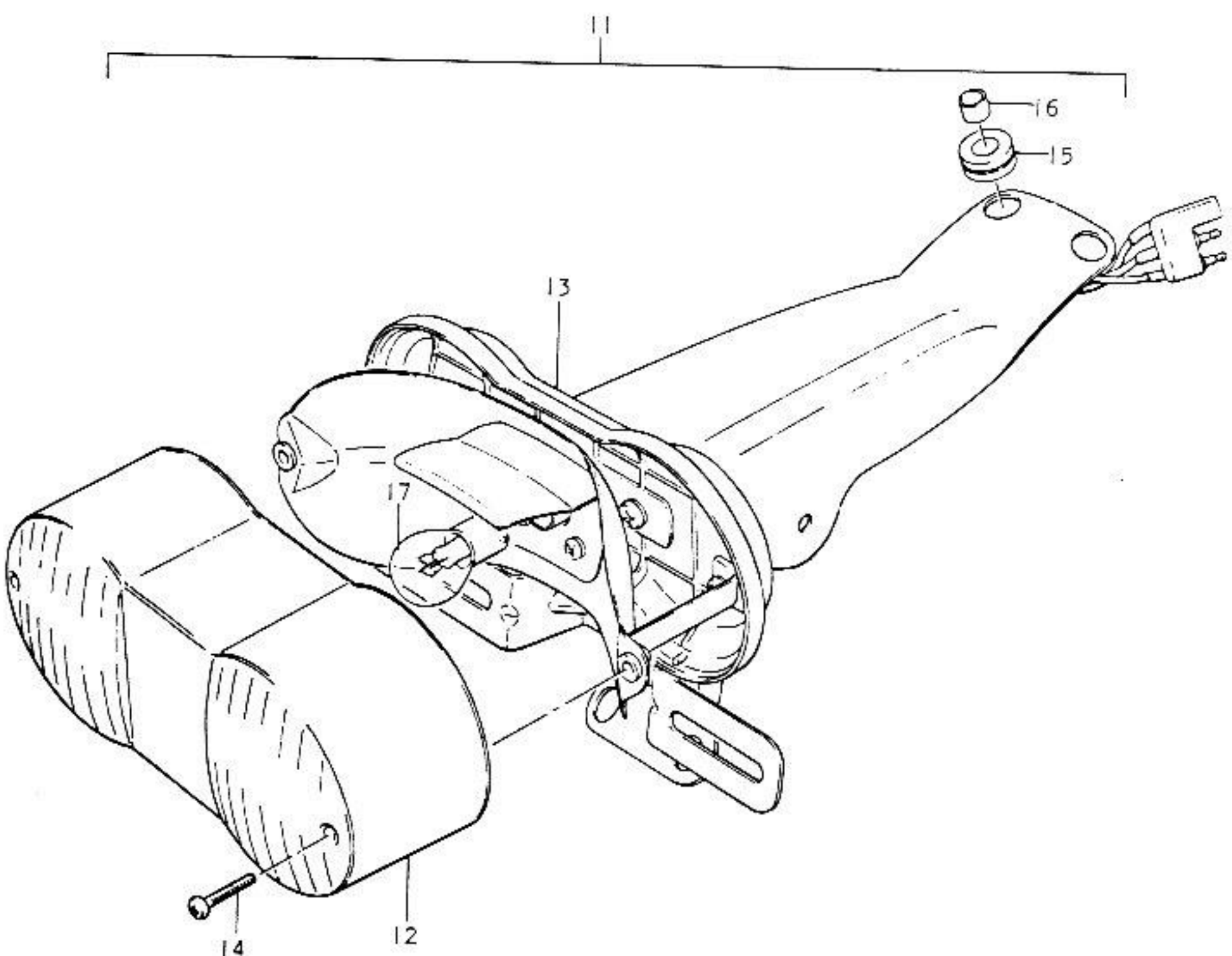


FIG.68 FOR YOUR MARKET (E25)

Ref.No.	Part No.	Description	Q'ty		Remarks
			A	B	
1-1	35601-29620	LAMP ASSY, front turn signal	2	-	
1-2	35601-18640-999	LAMP ASSY, front turn signal	-	2	
2	35612-28620	*LENS	2	2	
3	35613-28620	*GASKET	2	2	
4	02111-04258	*SCREW	4	4	
5	35627-43010	*GASKET	4	4	
6	08312-32108	*NUT	2	2	
7	09471-12045	BULB (Executed locally)	2	2	PHILIPS 12V, 21W WK15814
8	35603-18640-999	LAMP ASSY, rear turn signal	-	2	
9	35612-28620	*LENS	-	2	
10	35613-28620	*GASKET	-	2	
11	02111-04258	*SCREW	-	4	
12	35627-43010	*GASKET	-	4	
13	08312-32108	*NUT	-	2	
14	09471-12045	BULB (Executed locally)	-	2	PHILIPS 12V, 12W WK15814

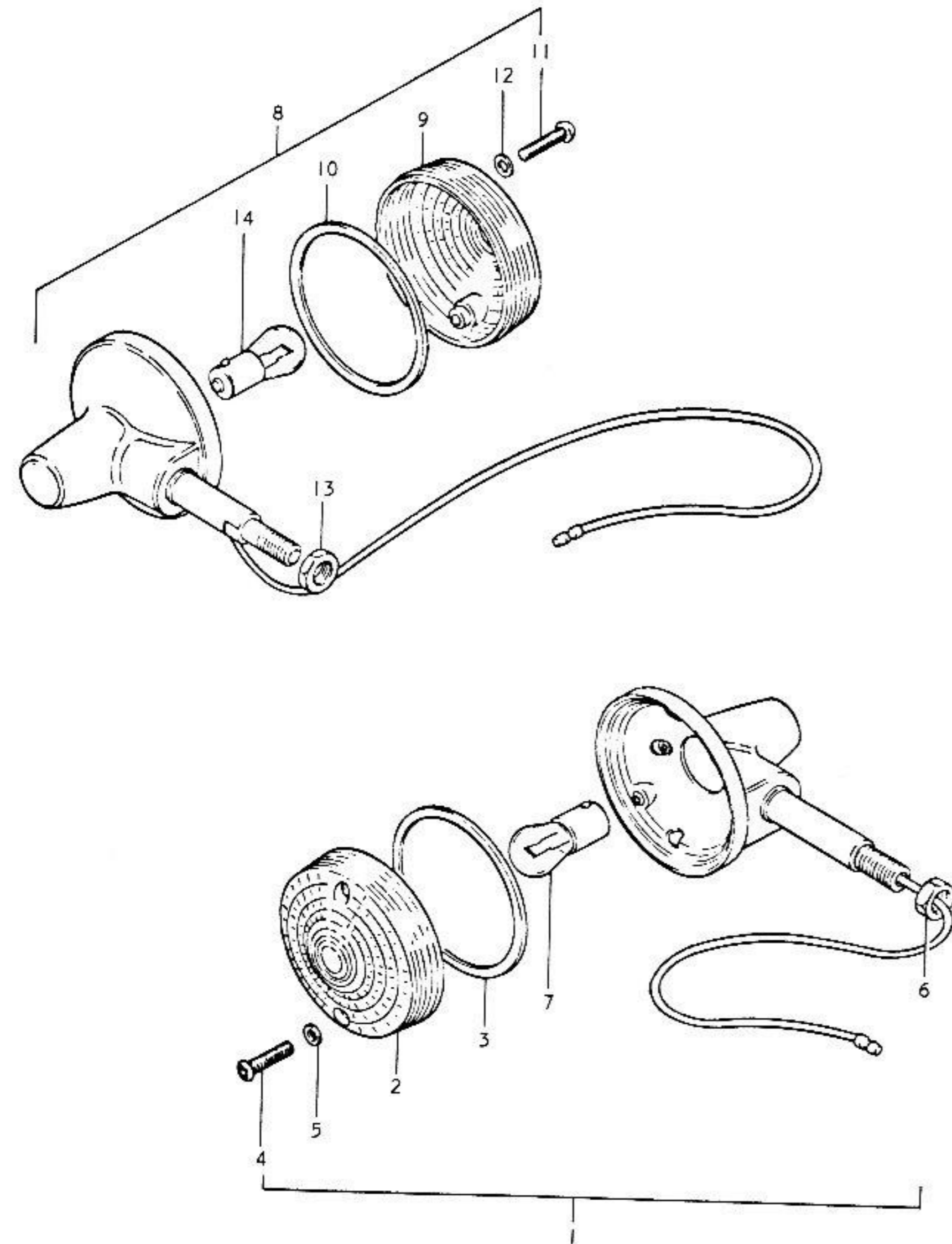
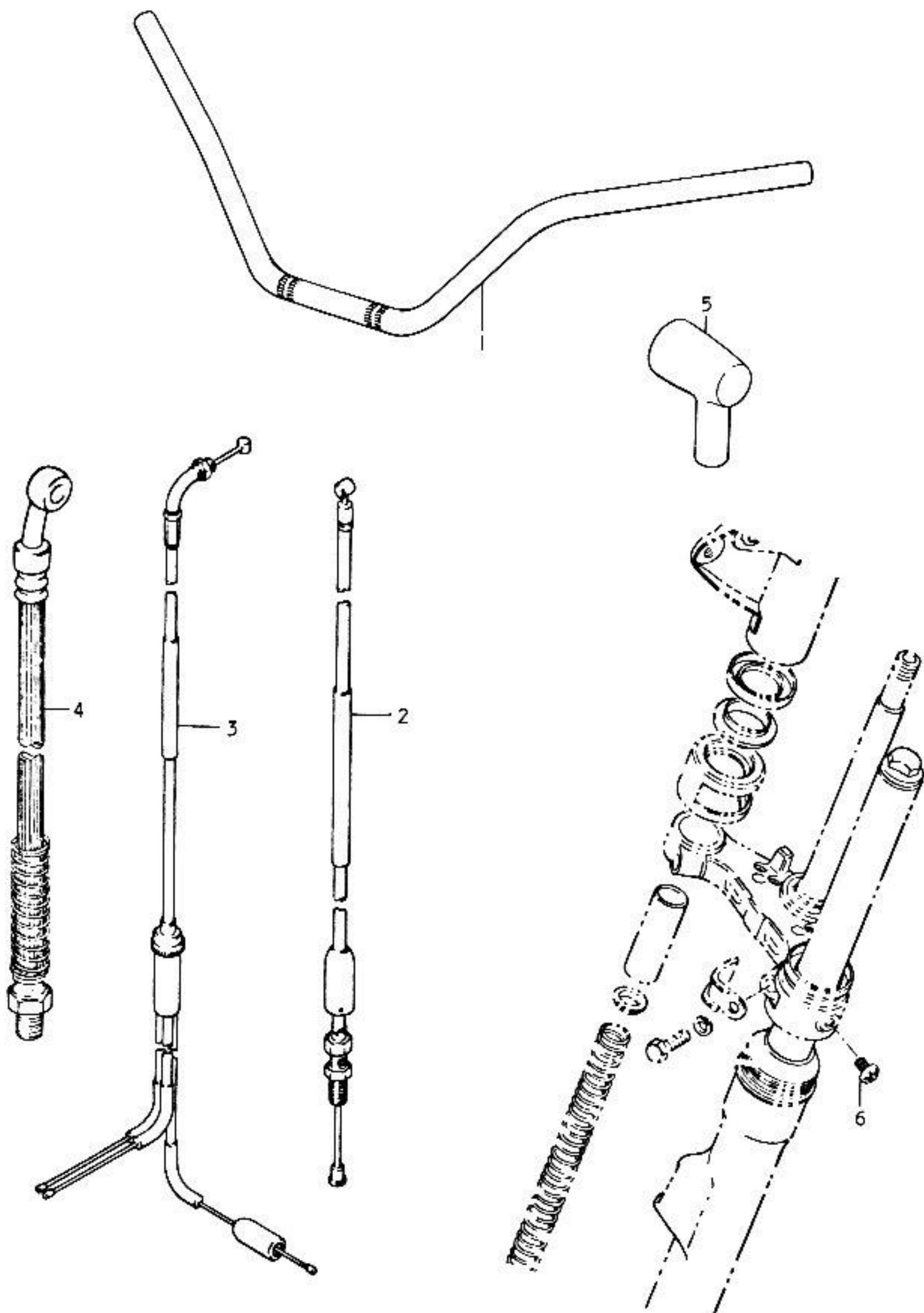


FIG. 69 FOR YOUR MARKET (E25)

Ref.No.	Part No.	Description	Q'ty		Remarks
			A	B	
1	56111-33600	HANDLEBAR	1	1	} FLAT HANDLEBAR
2	58200-15100	CABLE, clutch	1	1	
3	58300-15600	CABLE, throttle	1	1	
4	59480-34012	HOSE, brake No. 1	1	1	
5	59711-33600	BOOT, master cylinder	1	1	



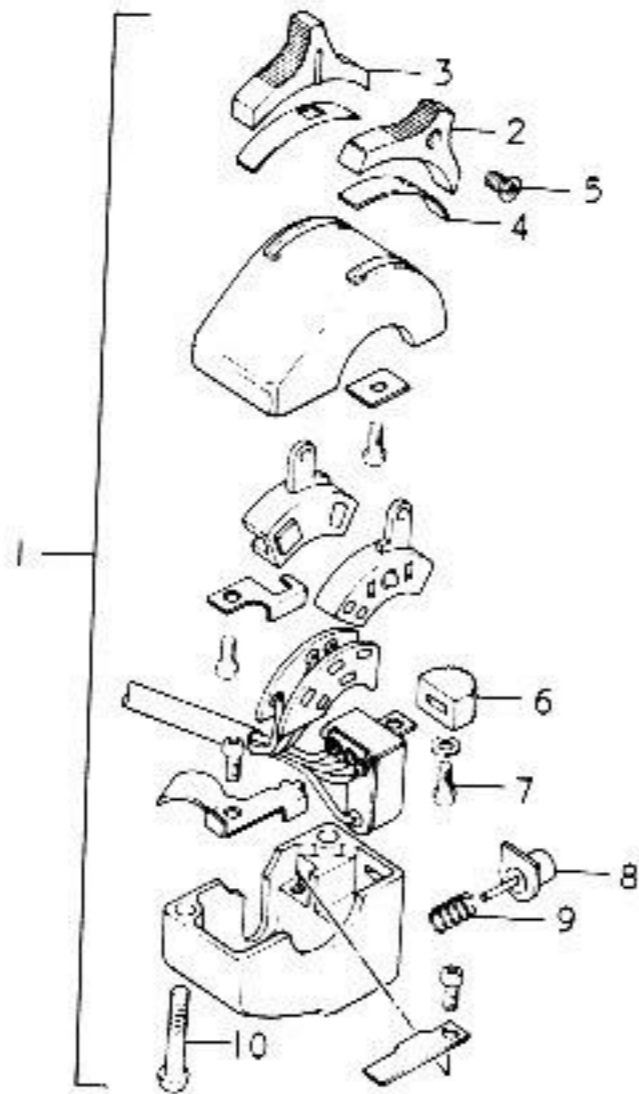


FIG.70 FOR YOUR MARKET (E25)

Ref.No.	Part No.	Description	Q'ty	
			A	B
1	57700-18670	SWITCH ASSY, handle LH	1	1
2	57712-33011	•KNOB	1	1
3	57713-33010	•KNOB	1	1
4	57714-33010	•PLATE	2	2
5	02321-03088	•SCREW	2	2
6	57742-33010	•KNOB, turn signal	1	1
7	02121-03068	•SCREW	1	1
8	57850-31010	•BUTTON, horn	1	1
9	57761-26010	•SPRING, horn button	1	1
10	02111-05207	•SCREW	2	2
11	64511-15751	SPROCKET, rear	1	1

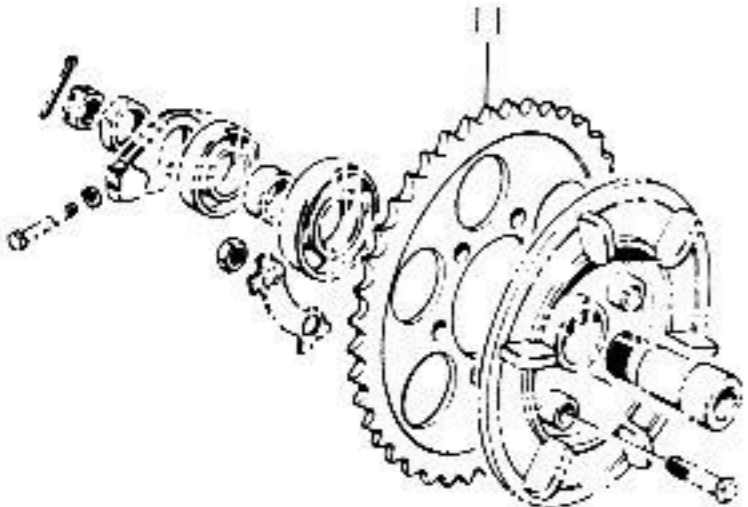
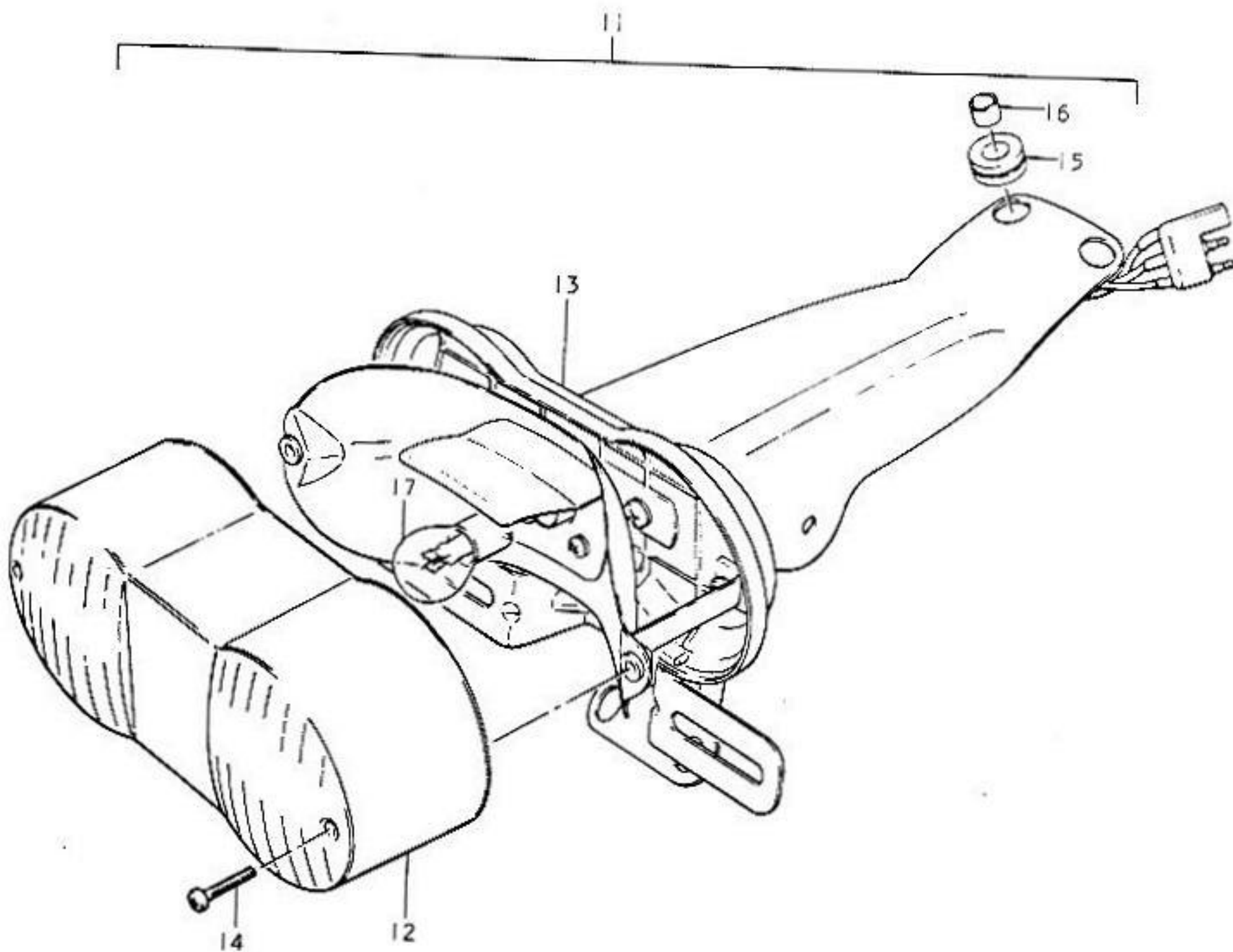
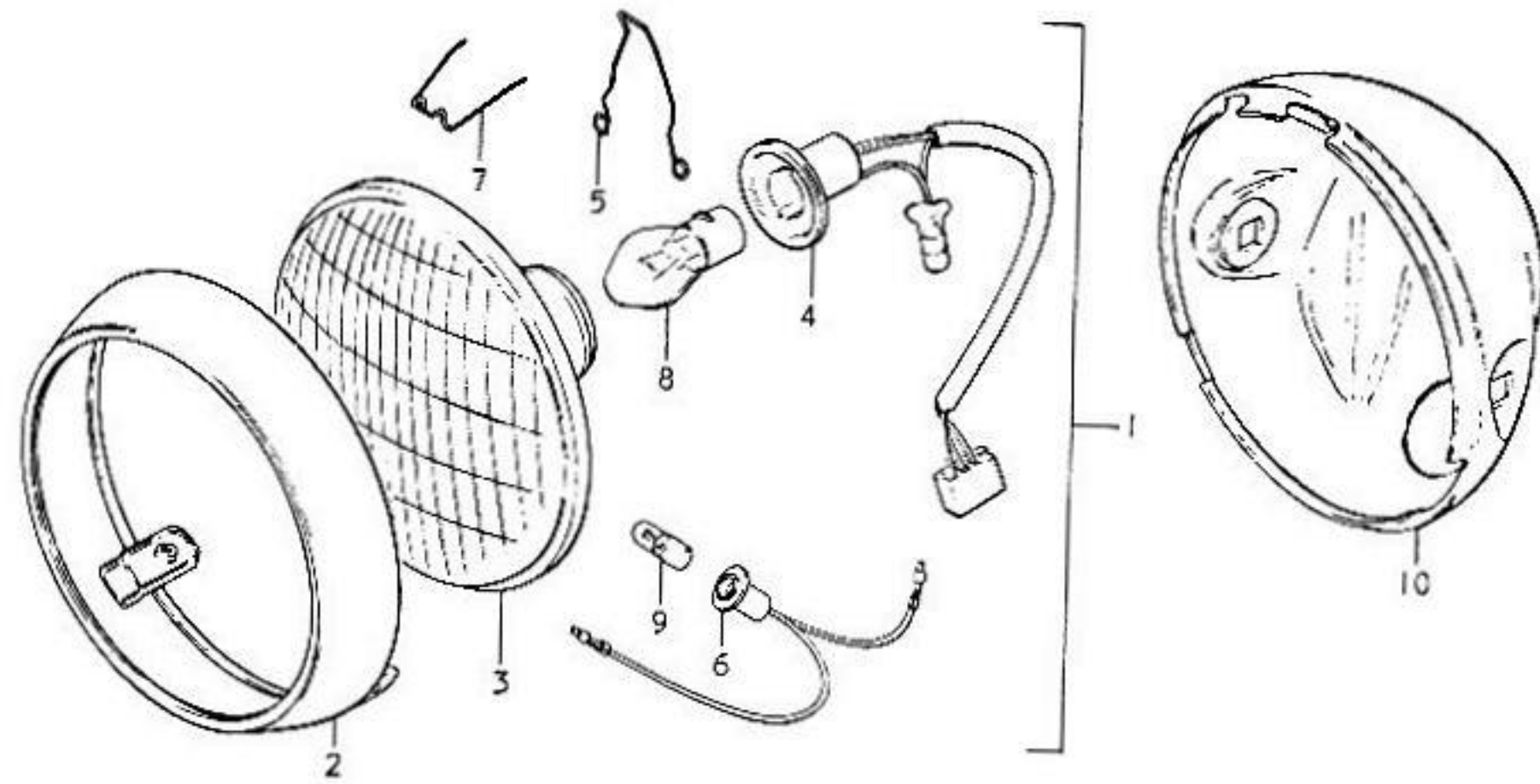


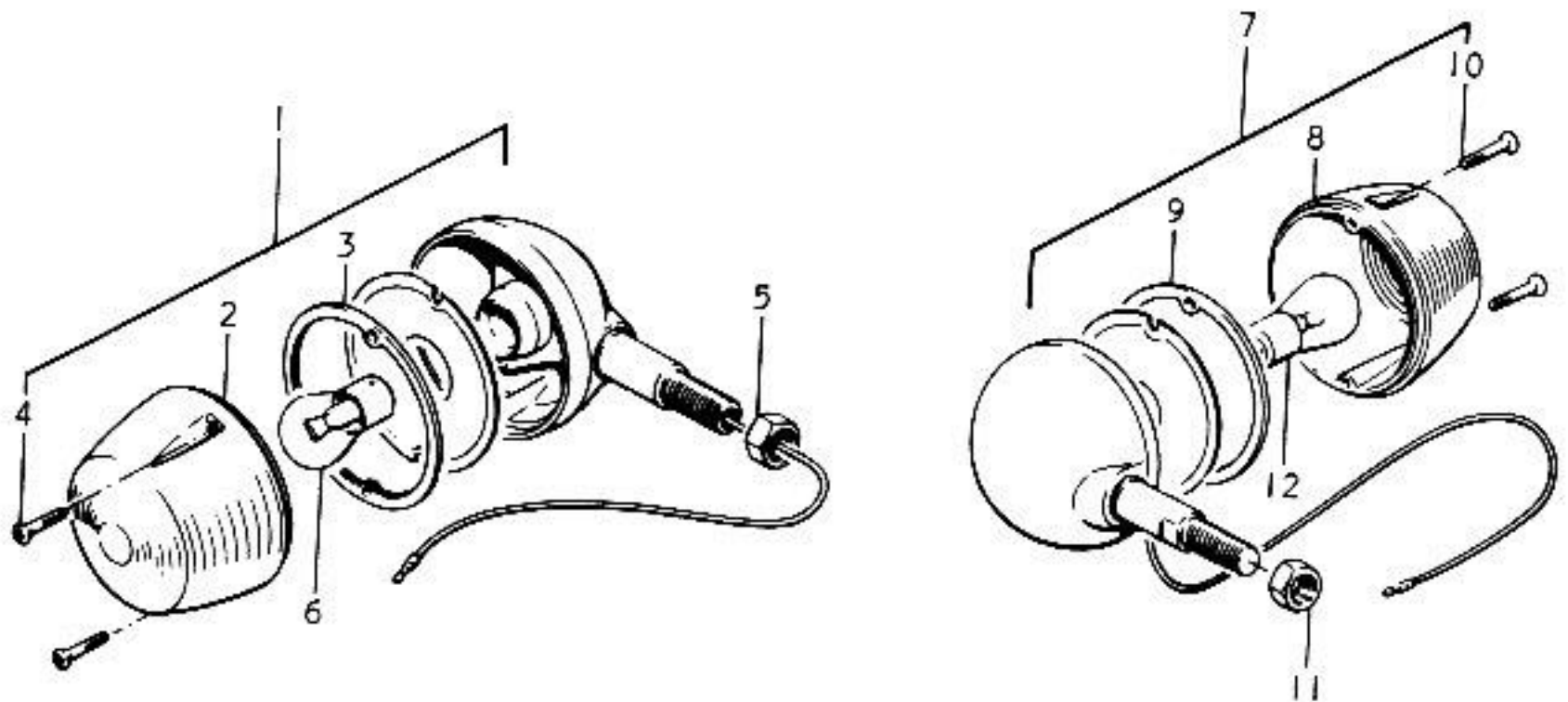
FIG.71 FOR YOUR MARKET (E34)



ef.No.	Part No.	Description	Q'ty		Remarks
			A	B	
1	35100-33671-999	HEADLAMP ASSY	1	1	
2	35111-18660	•RIM	1	1	
3	35121-33671	•UNIT	1	1	
4	35171-36650	•SOCKET	1	1	
5	35172-28660	•CLAMP	1	1	
6	36118-33670	•SOCKET	1	1	
7	35128-18660	•CLAMP	1	1	
8	09471-12020	BULB (Executed locally) 12V, 35/35W	1	1	PHILIPS No.12728
9	09471-12051	BULB (Executed locally) 12V, 3W	1	1	
10-1	51810-33600	HOUSING, headlamp	1	-	
10-2	51810-27600-291	HOUSING, headlamp	-	1	
11-1	35710-18673-999	LAMP ASSY, rear combination	1	-	
11-2	35710-33652-999	LAMP ASSY, rear combination	-	1	
12	35712-27660	•LENS	1	1	
13	35715-27691	•HOUSING	1	1	
14	02111-04208	•SCREW	2	2	
15	35765-15010	•CUSHION	4	4	
16	35766-15010	•SPACER	4	4	
17	09471-12046	BULB (Executed locally) 12V, 21/5W	1	1	PHILIPS/HELLA W.K15857

FIG.72 FOR YOUR MARKET (GT500A E34)

Ref.No.	Part No.	Description	Q'ty A	Remarks
1	35601-15660	LAMP ASSY, front turn signal	2	
2	35652-15660	•LENS	2	
3	35613-03610	•GASKET	2	
4	02133-03167	•SCREW	4	
5	08312-32108	•NUT	2	
6	09471-12006	•BULB	2	12V, 32cp
7	35603-15612	LAMP ASSY, rear turn signal	2	
8	35612-12611	•LENS	2	
9	35613-03610	•GASKET	2	
10	02133-03167	•SCREW	4	
11	08312-32108	•NUT	2	
12	09471-12006	•BULB	2	12V, 32cp



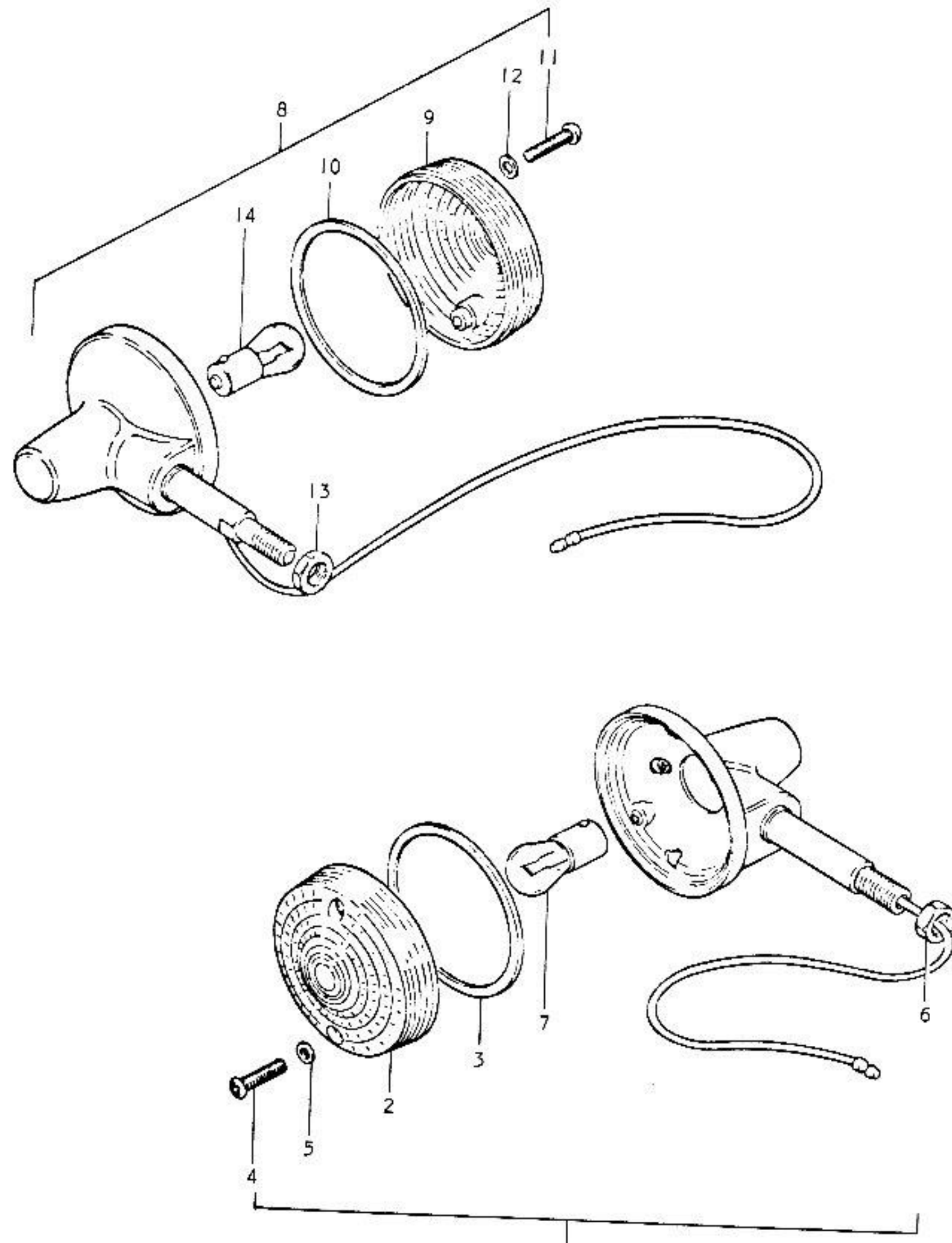


FIG.73 FOR YOUR MARKET (GT500B E34)

Ref.No.	Part No.	Description	Q'ty B	Remarks
1	35601-18640-999	LAMP ASSY, front turn signal	2	
2	35612-28620	• LENS	2	
3	35613-28620	• GASKET	2	
4	02111-04258	• SCREW	4	
5	35627-43010	• GASKET	4	
6	08312-32108	• NUT	2	
7	09471-12045	BULB (Executed locally)	2	PHILIPS 12V, 21W W&K15814
8	35603-18640-999	LAMP ASSY, rear turn signal	2	
9	35612-28620	• LENS	2	
10	35613-28620	• GASKET	2	
11	02111-04258	• SCREW	4	
12	35627-43010	• GASKET	4	
13	08312-32108	• NUT	2	
14	09471-12045	BULB (Executed locally)	2	PHILIPS 12V, 21W W&K15814

FIG. 74 FOR YOUR MARKET (E34)

Ref.No.	Part No.	Description	Q'ty		Remarks
			A	B	
1	56111-33600	HANDLEBAR	1	1	} FLAT HANDLEBAR
2	58200-15100	CABLE, clutch	1	1	
3	58300-15600	CABLE, throttle	1	1	
4	59480-34012	HOSE, brake No.1	1	1	
5	59711-33600	BOOT, master cylinder	1	1	
6-1	37110-28654	SWITCH ASSY, ignition	1	-	from 37110-28653 to 37110-28655
6-2	37110-28655	SWITCH ASSY, ignition	-	1	
7	02141-05067	SCREW	-	2	

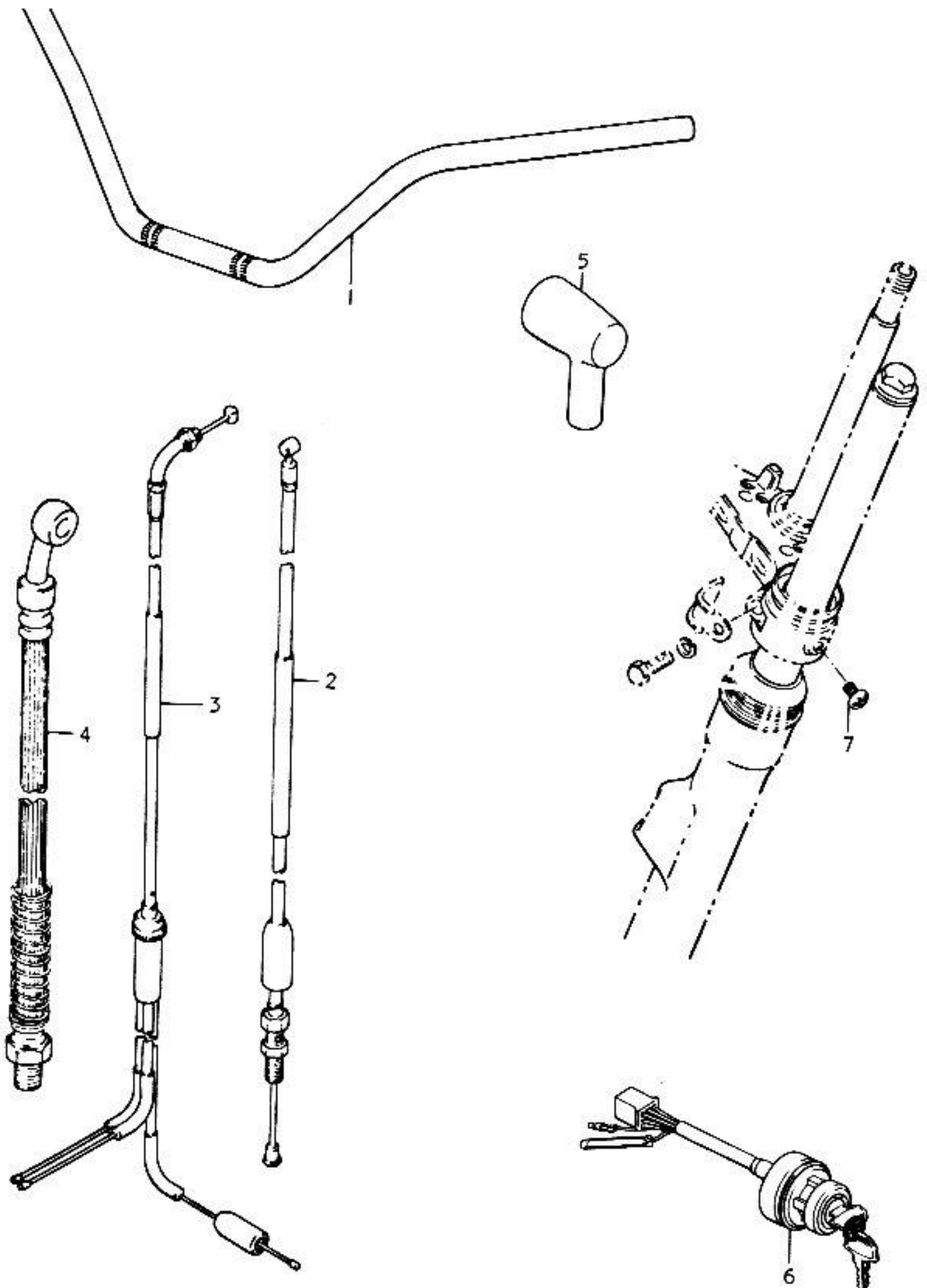
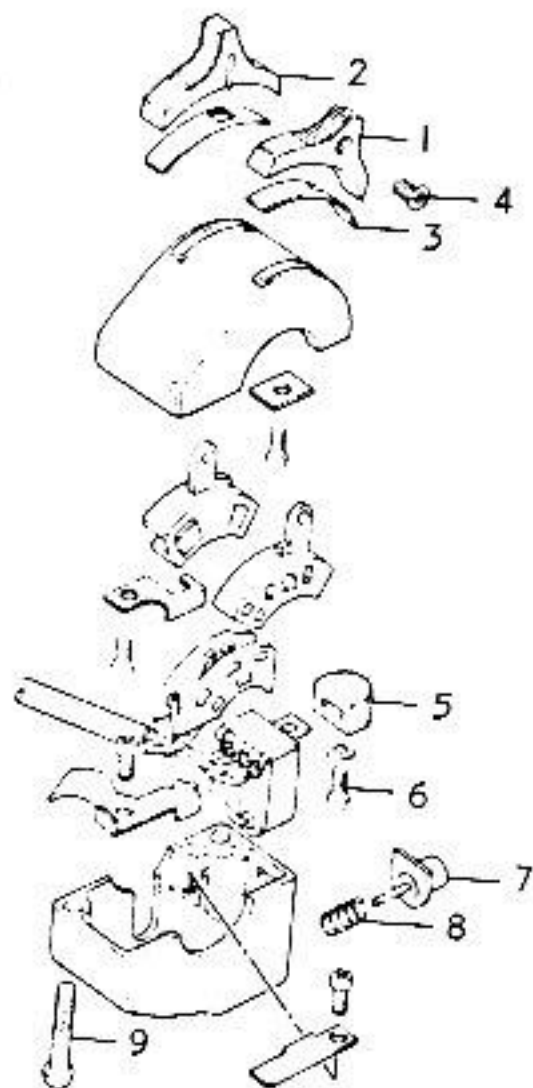


FIG. 75 FOR YOUR MARKET (E34)



Ref.No.	Part No.	Description	Q'ty	
			A	B
	57700-18670	SWITCH ASSY, handle LH	1	1
1	57712-33011	•KNOB	1	1
2	57713-33010	•KNOB	1	1
3	57714-33010	•PLATE	2	2
4	02321-03088	•SCREW	2	2
5	57742-33010	•KNOB, turn signal	1	1
6	02121-03068	•SCREW	1	1
7	57850-31010	•BUTTON, horn	1	1
8	57761-26010	•SPRING, horn button	1	1
9	02111-05207	•SCREW	2	2